

## 높은 널링 스크류 · DIN 464 EH 24790.



### 제품 설명

모든 널링된 나사는 일체형으로 제작된다.  
공식 표준 시트에서는 모두 머리까지 나사산을 가지고 있지만, 나사산 끝 부분에는 산이 없다.

### 재질

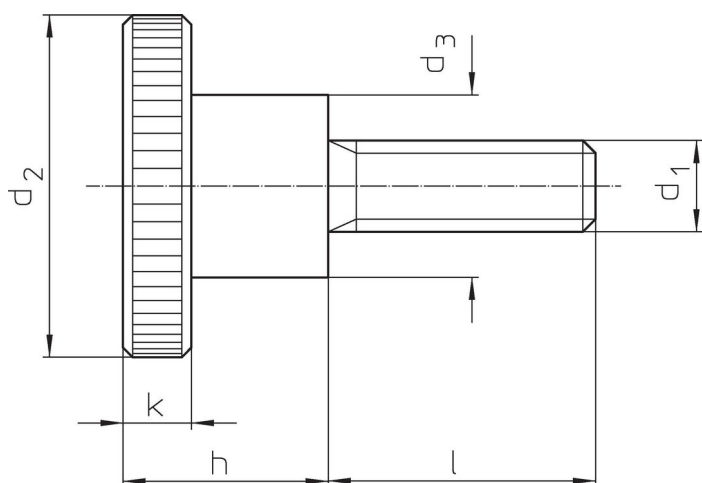
- 스틸, 흑색처리, 재질 5.8,
- Steel, zinc-plated by galvanization, quality 5.8
- 스테인레스 스틸 1.4305, 블라스트 가공처리

### 더 많은 정보


#### 참조

널링 피치 및 널링 깊이는 DIN 규격과 차이가 있을 수 있음.

### 그림



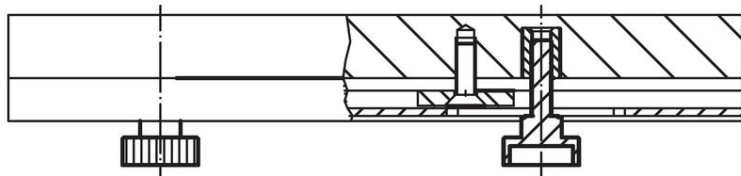
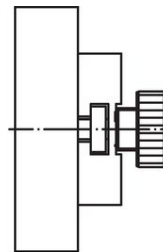
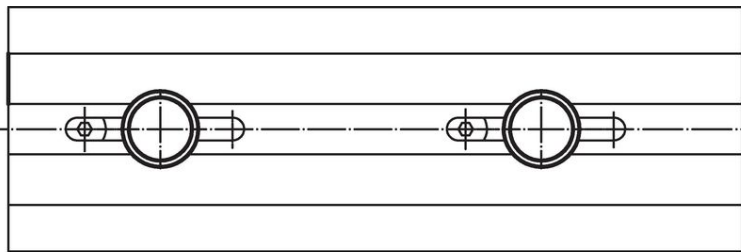
### 주문 정보

d <sub>1</sub>	l	d <sub>2</sub>	치수 d <sub>3</sub> [mm]	h	k	 [g]	제품 번호.
스틸, 흑색처리, 재질 5.8,							
M 3	6	12	6	7,5	2,5	3,7	<a href="#">24790.0074</a>
M 3	10	12	6	7,5	2,5	3,8	<a href="#">24790.0076</a>
M 3	12	12	6	7,5	2,5	4,0	<a href="#">24790.0077</a>
M 3	16	12	6	7,5	2,5	4,0	<a href="#">24790.0079</a>
M 3	20	12	6	7,5	2,5	4,5	<a href="#">24790.0081</a>
M 4	5	16	8	9,5	3,5	7,7	<a href="#">24790.0092</a>
M 4	8	16	8	9,5	3,5	8,0	<a href="#">24790.0094</a>
M 4	10	16	8	9,5	3,5	8,1	<a href="#">24790.0095</a>
M 4	12	16	8	9,5	3,5	8,6	<a href="#">24790.0096</a>
M 4	16	16	8	9,5	3,5	8,4	<a href="#">24790.0098</a>
M 4	20	16	8	9,5	3,5	9,1	<a href="#">24790.0100</a>
M 4	25	16	8	9,5	3,5	9,0	<a href="#">24790.0102</a>
M 5	6	20	10	11,5	4,0	14,0	<a href="#">24790.0112</a>
M 5	8	20	10	11,5	4,0	15,0	<a href="#">24790.0113</a>
M 5	10	20	10	11,5	4,0	15,0	<a href="#">24790.0114</a>
M 5	12	20	10	11,5	4,0	15,0	<a href="#">24790.0115</a>
M 5	16	20	10	11,5	4,0	16,0	<a href="#">24790.0117</a>
M 5	20	20	10	11,5	4,0	16,0	<a href="#">24790.0119</a>
M 5	25	20	10	11,5	4,0	17,0	<a href="#">24790.0121</a>
M 5	30	20	10	11,5	4,0	17,0	<a href="#">24790.0123</a>
M 6	8	24	12	15,0	5,0	28,0	<a href="#">24790.0132</a>
M 6	10	24	12	15,0	5,0	27,0	<a href="#">24790.0133</a>

d <sub>1</sub>	l	d <sub>2</sub>	치수			[g]	제품 번호
			d <sub>3</sub>	h	k		
			[mm]				
M 6	12	24	12	15,0	5,0	28,0	24790.0134
M 6	16	24	12	15,0	5,0	28,0	24790.0136
M 6	20	24	12	15,0	5,0	29,0	24790.0138
M 6	25	24	12	15,0	5,0	30,0	24790.0140
M 6	30	24	12	15,0	5,0	31,0	24790.0142
M 6	35	24	12	15,0	5,0	31,0	24790.0144
M 8	12	30	16	18,0	6,0	53,0	24790.0152
M 8	16	30	16	18,0	6,0	55,0	24790.0154
M 8	20	30	16	18,0	6,0	56,0	24790.0156
M 8	25	30	16	18,0	6,0	58,0	24790.0158
M 8	30	30	16	18,0	6,0	60,0	24790.0160
M 8	35	30	16	18,0	6,0	62,0	24790.0162
M 8	40	30	16	18,0	6,0	61,0	24790.0164
M10	15	36	20	23,0	8,0	104,0	24790.0171
M10	20	36	20	23,0	8,0	106,0	24790.0173
M10	25	36	20	23,0	8,0	109,0	24790.0175
M10	30	36	20	23,0	8,0	112,0	24790.0177
M10	35	36	20	23,0	8,0	116,0	24790.0179
M10	40	36	20	23,0	8,0	116,0	24790.0181
스틸, 아연 도금처리							
M 3	6	12	6	7,5	2,5	4,0	24790.0474
M 3	8	12	6	7,5	2,5	4,0	24790.0475
M 3	10	12	6	7,5	2,5	4,0	24790.0476
M 3	12	12	6	7,5	2,5	4,0	24790.0477
M 3	16	12	6	7,5	2,5	5,0	24790.0479
M 3	20	12	6	7,5	2,5	5,0	24790.0481
M 4	5	16	8	9,5	3,5	9,0	24790.0492
M 4	8	16	8	9,5	3,5	8,0	24790.0494
M 4	10	16	8	9,5	3,5	8,0	24790.0495
M 4	12	16	8	9,5	3,5	8,0	24790.0496
M 4	16	16	8	9,5	3,5	8,0	24790.0498
M 4	20	16	8	9,5	3,5	9,0	24790.0500
M 4	25	16	8	9,5	3,5	9,0	24790.0502
M 5	6	20	10	11,5	4,0	15,0	24790.0512
M 5	8	20	10	11,5	4,0	15,0	24790.0513
M 5	10	20	10	11,5	4,0	15,0	24790.0514
M 5	12	20	10	11,5	4,0	14,0	24790.0515
M 5	16	20	10	11,5	4,0	15,0	24790.0517
M 5	20	20	10	11,5	4,0	16,0	24790.0519
M 5	25	20	10	11,5	4,0	16,0	24790.0521
M 5	30	20	10	11,5	4,0	17,0	24790.0523
M 6	8	24	12	15,0	5,0	27,0	24790.0532
M 6	10	24	12	15,0	5,0	27,0	24790.0533
M 6	12	24	12	15,0	5,0	27,0	24790.0534
M 6	16	24	12	15,0	5,0	28,0	24790.0536
M 6	20	24	12	15,0	5,0	29,0	24790.0538
M 6	25	24	12	15,0	5,0	28,0	24790.0540
M 6	30	24	12	15,0	5,0	30,0	24790.0542
M 6	35	24	12	15,0	5,0	31,0	24790.0544
M 8	12	30	16	18,0	6,0	55,0	24790.0552
M 8	16	30	16	18,0	6,0	55,0	24790.0554
M 8	20	30	16	18,0	6,0	56,0	24790.0556
M 8	25	30	16	18,0	6,0	58,0	24790.0558
M 8	30	30	16	18,0	6,0	50,0	24790.0560
M 8	35	30	16	18,0	6,0	63,0	24790.0562
M 8	40	30	16	18,0	6,0	62,0	24790.0564
M10	12	36	20	23,0	8,0	105,0	24790.0570
M10	15	36	20	23,0	8,0	106,0	24790.0571
M10	20	36	20	23,0	8,0	107,0	24790.0573

d <sub>1</sub>	l	d <sub>2</sub>	치수			k	[g]	제품 번호
			d <sub>3</sub>	h	[mm]			
M10	25	36	20	23,0	8,0	110,0	24790.0575	
M10	30	36	20	23,0	8,0	112,0	24790.0577	
M10	35	36	20	23,0	8,0	115,0	24790.0579	
M10	40	36	20	23,0	8,0	116,0	24790.0581	
스텐레스 스틸 1.4305								
M 3	6	12	6	7,5	2,5	3,7	24790.0274	
M 3	10	12	6	7,5	2,5	3,8	24790.0276	
M 3	12	12	6	7,5	2,5	4,0	24790.0277	
M 3	16	12	6	7,5	2,5	4,0	24790.0279	
M 4	8	16	8	9,5	3,5	8,0	24790.0294	
M 4	10	16	8	9,5	3,5	8,1	24790.0295	
M 4	12	16	8	9,5	3,5	8,6	24790.0296	
M 4	16	16	8	9,5	3,5	8,4	24790.0298	
M 4	20	16	8	9,5	3,5	9,1	24790.0300	
M 4	25	16	8	9,5	3,5	9,0	24790.0302	
M 5	10	20	10	11,5	4,0	15,0	24790.0314	
M 5	12	20	10	11,5	4,0	15,0	24790.0315	
M 5	16	20	10	11,5	4,0	16,0	24790.0317	
M 5	20	20	10	11,5	4,0	16,0	24790.0319	
M 5	25	20	10	11,5	4,0	17,0	24790.0321	
M 5	30	20	10	11,5	4,0	17,0	24790.0323	
M 6	12	24	12	15,0	5,0	28,0	24790.0334	
M 6	16	24	12	15,0	5,0	28,0	24790.0336	
M 6	20	24	12	15,0	5,0	29,0	24790.0338	
M 6	25	24	12	15,0	5,0	30,0	24790.0340	
M 6	30	24	12	15,0	5,0	31,0	24790.0342	
M 6	35	24	12	15,0	5,0	31,0	24790.0344	
M 8	16	30	16	18,0	6,0	55,0	24790.0354	
M 8	20	30	16	18,0	6,0	56,0	24790.0356	
M 8	25	30	16	18,0	6,0	58,0	24790.0358	
M 8	30	30	16	18,0	6,0	60,0	24790.0360	
M 8	35	30	16	18,0	6,0	62,0	24790.0362	

적용 예



규정 준수

자세한 규정 준수 정보를 보려면 원하는 품목 번호를 선택하십시오.