

평면 널링 스크류 · DIN 653

EH 24770.



제품 설명

모든 널링된 나사는 머리부위까지 일체형으로 제작되었음 (DIN-명칭 A).

재질

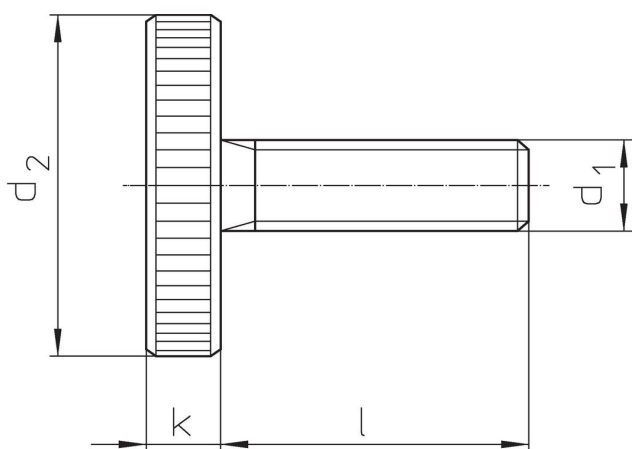
- 스틸, 흑색처리, 재질 5.8,
- Steel, zinc-plated by galvanization, quality 5.8
- 스테레스 스틸 1.4305, 블라스트 가공처리

더 많은 정보


참조

널링 피치 및 널링 깊이는 DIN 규격과 차이가 있을 수 있음.


그림



주문 정보

d ₁	l	치수 [mm]	d ₂	k	 [g]	제품 번호.
스틸, 흑색처리, 재질 5.8,						
M 3	6		12	2,5	2,3	24770.0072
M 3	8		12	2,5	2,4	24770.0073
M 3	10		12	2,5	2,5	24770.0074
M 3	16		12	2,5	2,7	24770.0077
M 3	20		12	2,5	2,9	24770.0079
M 4	8		16	3,5	5,6	24770.0092
M 4	10		16	3,5	5,7	24770.0093
M 4	12		16	3,5	6,1	24770.0094
M 4	16		16	3,5	6,2	24770.0096
M 4	20		16	3,5	6,6	24770.0098
M 4	25		16	3,5	7,1	24770.0100
M 5	10		20	4,0	10,0	24770.0112
M 5	12		20	4,0	11,0	24770.0113
M 5	16		20	4,0	12,0	24770.0115
M 5	20		20	4,0	12,0	24770.0117
M 5	25		20	4,0	12,0	24770.0119
M 5	30		20	4,0	13,0	24770.0121
M 6	12		24	5,0	18,0	24770.0132
M 6	16		24	5,0	20,0	24770.0134
M 6	20		24	5,0	21,0	24770.0136
M 6	25		24	5,0	21,0	24770.0138
M 6	30		24	5,0	22,0	24770.0140

d ₁	l	치수		k	[g]	제품 번호
		[mm]				
M 6	40		24	5,0	23,0	24770.0142
M 8	16		30	6,0	36,0	24770.0152
M 8	20		30	6,0	37,0	24770.0154
M 8	25		30	6,0	39,0	24770.0156
M 8	30		30	6,0	40,0	24770.0158
M 8	35		30	6,0	42,0	24770.0160
M 8	40		30	6,0	44,0	24770.0161
M10	20		36	8,0	71,0	24770.0172
M10	25		36	8,0	72,0	24770.0174
M10	30		36	8,0	76,0	24770.0176
M10	35		36	8,0	78,0	24770.0178
M10	40		36	8,0	80,0	24770.0180
스틸, 아연 도금처리						
M 3	6		12	2,5	2,0	24770.0472
M 3	8		12	2,5	2,0	24770.0473
M 3	10		12	2,5	3,0	24770.0474
M 3	16		12	2,5	3,0	24770.0477
M 3	20		12	2,5	3,0	24770.0479
M 4	8		16	3,5	6,0	24770.0492
M 4	10		16	3,5	6,0	24770.0493
M 4	12		16	3,5	6,0	24770.0494
M 4	16		16	3,5	7,0	24770.0496
M 4	20		16	3,5	7,0	24770.0498
M 4	25		16	3,5	7,0	24770.0500
M 5	10		20	4,0	10,0	24770.0512
M 5	12		20	4,0	11,0	24770.0513
M 5	16		20	4,0	12,0	24770.0515
M 5	20		20	4,0	12,0	24770.0517
M 5	25		20	4,0	14,0	24770.0519
M 5	30		20	4,0	13,0	24770.0521
M 6	12		24	5,0	19,0	24770.0532
M 6	16		24	5,0	19,0	24770.0534
M 6	20		24	5,0	20,0	24770.0536
M 6	25		24	5,0	20,0	24770.0538
M 6	30		24	5,0	20,0	24770.0540
M 6	40		24	5,0	23,0	24770.0542
M 8	16		30	6,0	35,0	24770.0552
M 8	20		30	6,0	38,0	24770.0554
M 8	25		30	6,0	35,0	24770.0556
M 8	30		30	6,0	35,0	24770.0558
M 8	35		30	6,0	43,0	24770.0560
M 8	40		30	6,0	40,0	24770.0561
M10	20		36	8,0	72,0	24770.0572
M10	25		36	8,0	74,0	24770.0574
M10	30		36	8,0	76,0	24770.0576
M10	35		36	8,0	76,0	24770.0578
M10	40		36	8,0	80,0	24770.0580
스텐레스 스틸 1.4305						
M 4	8		16	3,5	5,6	24770.0292
M 4	10		16	3,5	5,7	24770.0293
M 4	12		16	3,5	6,1	24770.0294
M 4	16		16	3,5	6,2	24770.0296
M 5	10		20	4,0	10,0	24770.0312
M 5	12		20	4,0	11,0	24770.0313
M 5	16		20	4,0	12,0	24770.0315
M 5	20		20	4,0	12,0	24770.0317
M 6	12		24	5,0	18,0	24770.0332
M 6	16		24	5,0	20,0	24770.0334
M 6	20		24	5,0	21,0	24770.0336
M 6	25		24	5,0	21,0	24770.0338
M 8	16		30	6,0	36,0	24770.0352
M 8	20		30	6,0	37,0	24770.0354

d ₁	l	치수		k	 [g]	제품 번호
		[mm]				
M 8	25		30	6,0	39,0	24770.0356
M 8	30		30	6,0	40,0	24770.0358
M10	20		36	8,0	71,0	24770.0372
M10	25		36	8,0	72,0	24770.0374
M10	30		36	8,0	76,0	24770.0376
M10	40		36	8,0	80,0	24770.0380

규정 준수

자세한 규정 준수 정보를 보려면 원하는 품목 번호를 선택하십시오.