

스크류가 있는 별모양 손잡이 · 플라스틱 EH 24750.



제품 설명

재질

캡

- 열가소성 수지(플라스틱) PA, 검은색 RAL 9005와 유사
- 열가소성 수지(플라스틱) PA, 흰색 RAL 9019와 유사
- 열가소성 수지(플라스틱) PA, 주황색 RAL 2004와 유사
- 열가소성 수지(플라스틱) PA, 노란색 RAL 1016과 유사
- 열가소성 수지(플라스틱) PA, 파란색 RAL 5015와 유사

손잡이

- 열가소성 수지(플라스틱) PA 6, 검은색 RAL 9005와 유사

나사

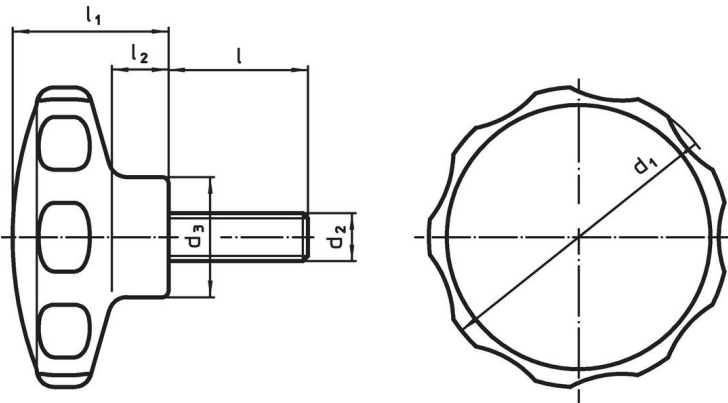
- 스테인리스 스틸

더 많은 정보

참조

스페셜 부품, 즉, 다른 나사나 나사 길이는 별도 요청.

그림



주문 정보

d ₁	d ₂	l	치수			최소	최대	[g]	제품 번호.
			d ₃	l ₁	l ₂				
검정색									
30	M 4	10	14,0	19	7	-30	80	6,1	24750.0100
30	M 4	14	14,0	19	7	-30	80	6,6	24750.0110
30	M 4	18	14,0	19	7	-30	80	6,9	24750.0120
30	M 4	23	14,0	19	7	-30	80	7,3	24750.0130
30	M 4	28	14,0	19	7	-30	80	7,7	24750.0140
30	M 5	10	14,0	19	7	-30	80	7,5	24750.0150
30	M 5	14	14,0	19	7	-30	80	7,9	24750.0160
30	M 5	18	14,0	19	7	-30	80	8,4	24750.0170
30	M 5	23	14,0	19	7	-30	80	9,0	24750.0180
30	M 5	28	14,0	19	7	-30	80	9,0	24750.0190
40	M 5	10	16,5	22	9	-30	80	9,6	24750.0200
40	M 5	14	16,5	22	9	-30	80	10,0	24750.0210
40	M 5	18	16,5	22	9	-30	80	11,0	24750.0220
40	M 5	23	16,5	22	9	-30	80	12,0	24750.0230
40	M 5	28	16,5	22	9	-30	80	12,0	24750.0240
40	M 6	14	16,5	22	9	-30	80	12,0	24750.0250
40	M 6	18	16,5	22	9	-30	80	13,0	24750.0260
40	M 6	23	16,5	22	9	-30	80	14,0	24750.0270

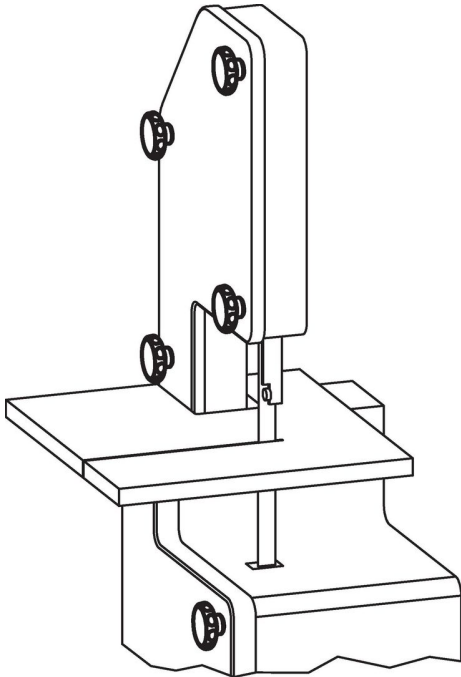
d ₁	d ₂	치수				°C		[g]	제품 번호
		l	d ₃	l ₁	l ₂	최소	최대		
40	M 6	28	16,5	22	9	-30	80	15,0	24750.0280
40	M 6	38	16,5	22	9	-30	80	16,0	24750.0290
50	M 6	14	22,0	26	10	-30	80	19,0	24750.0300
50	M 6	18	22,0	26	10	-30	80	19,0	24750.0310
50	M 6	23	22,0	26	10	-30	80	20,0	24750.0320
50	M 6	28	22,0	26	10	-30	80	21,0	24750.0330
50	M 6	38	22,0	26	10	-30	80	23,0	24750.0340
50	M 8	18	22,0	26	10	-30	80	26,0	24750.0350
50	M 8	23	22,0	26	10	-30	80	27,0	24750.0360
50	M 8	28	22,0	26	10	-30	80	29,0	24750.0370
50	M 8	38	22,0	26	10	-30	80	32,0	24750.0380
50	M 8	48	22,0	26	10	-30	80	35,0	24750.0390
62	M 8	18	22,0	35	13	-30	80	40,0	24750.0400
62	M 8	23	22,0	35	13	-30	80	41,0	24750.0410
62	M 8	28	22,0	35	13	-30	80	43,0	24750.0420
62	M 8	38	22,0	35	13	-30	80	46,0	24750.0430
62	M 8	48	22,0	35	13	-30	80	49,0	24750.0440
62	M10	23	22,0	35	13	-30	80	51,0	24750.0450
62	M10	28	22,0	35	13	-30	80	54,0	24750.0460
62	M10	38	22,0	35	13	-30	80	59,0	24750.0470
62	M10	48	22,0	35	13	-30	80	64,0	24750.0480
62	M10	58	22,0	35	13	-30	80	69,0	24750.0490
흰색									
30	M 4	10	14,0	19	7	-30	80	6,1	24750.0101
30	M 4	14	14,0	19	7	-30	80	6,6	24750.0111
30	M 4	18	14,0	19	7	-30	80	6,9	24750.0121
30	M 4	23	14,0	19	7	-30	80	7,3	24750.0131
30	M 4	28	14,0	19	7	-30	80	7,7	24750.0141
30	M 5	10	14,0	19	7	-30	80	7,5	24750.0151
30	M 5	14	14,0	19	7	-30	80	7,9	24750.0161
30	M 5	18	14,0	19	7	-30	80	8,4	24750.0171
30	M 5	23	14,0	19	7	-30	80	9,0	24750.0181
30	M 5	28	14,0	19	7	-30	80	9,0	24750.0191
40	M 5	10	16,5	22	9	-30	80	9,6	24750.0201
40	M 5	14	16,5	22	9	-30	80	10,0	24750.0211
40	M 5	18	16,5	22	9	-30	80	11,0	24750.0221
40	M 5	23	16,5	22	9	-30	80	12,0	24750.0231
40	M 5	28	16,5	22	9	-30	80	12,0	24750.0241
40	M 6	14	16,5	22	9	-30	80	12,0	24750.0251
40	M 6	18	16,5	22	9	-30	80	13,0	24750.0261
40	M 6	23	16,5	22	9	-30	80	14,0	24750.0271
40	M 6	28	16,5	22	9	-30	80	15,0	24750.0281
40	M 6	38	16,5	22	9	-30	80	16,0	24750.0291
50	M 6	14	22,0	26	10	-30	80	19,0	24750.0301
50	M 6	18	22,0	26	10	-30	80	19,0	24750.0311
50	M 6	23	22,0	26	10	-30	80	20,0	24750.0321
50	M 6	28	22,0	26	10	-30	80	21,0	24750.0331
50	M 6	38	22,0	26	10	-30	80	23,0	24750.0341
50	M 8	18	22,0	26	10	-30	80	26,0	24750.0351
50	M 8	23	22,0	26	10	-30	80	27,0	24750.0361
50	M 8	28	22,0	26	10	-30	80	29,0	24750.0371
50	M 8	38	22,0	26	10	-30	80	32,0	24750.0381
50	M 8	48	22,0	26	10	-30	80	35,0	24750.0391
62	M 8	18	22,0	35	13	-30	80	40,0	24750.0401
62	M 8	23	22,0	35	13	-30	80	41,0	24750.0411
62	M 8	28	22,0	35	13	-30	80	43,0	24750.0421
62	M 8	38	22,0	35	13	-30	80	46,0	24750.0431
62	M 8	48	22,0	35	13	-30	80	49,0	24750.0441
62	M10	23	22,0	35	13	-30	80	51,0	24750.0451

치수						최소		최대		제품 번호
d ₁	d ₂	l	d ₃	l ₁	l ₂	[°C]		[g]		
[mm]										
62	M10	28	22,0	35	13	-30	80	54,0	24750.0461	
62	M10	38	22,0	35	13	-30	80	59,0	24750.0471	
62	M10	48	22,0	35	13	-30	80	64,0	24750.0481	
62	M10	58	22,0	35	13	-30	80	69,0	24750.0491	
주황색										
30	M 4	10	14,0	19	7	-30	80	6,1	24750.0102	
30	M 4	14	14,0	19	7	-30	80	6,6	24750.0112	
30	M 4	18	14,0	19	7	-30	80	6,9	24750.0122	
30	M 4	23	14,0	19	7	-30	80	7,3	24750.0132	
30	M 4	28	14,0	19	7	-30	80	7,7	24750.0142	
30	M 5	10	14,0	19	7	-30	80	7,5	24750.0152	
30	M 5	14	14,0	19	7	-30	80	7,9	24750.0162	
30	M 5	18	14,0	19	7	-30	80	8,4	24750.0172	
30	M 5	23	14,0	19	7	-30	80	9,0	24750.0182	
30	M 5	28	14,0	19	7	-30	80	9,0	24750.0192	
40	M 5	10	16,5	22	9	-30	80	9,6	24750.0202	
40	M 5	14	16,5	22	9	-30	80	10,0	24750.0212	
40	M 5	18	16,5	22	9	-30	80	11,0	24750.0222	
40	M 5	23	16,5	22	9	-30	80	12,0	24750.0232	
40	M 5	28	16,5	22	9	-30	80	12,0	24750.0242	
40	M 6	14	16,5	22	9	-30	80	12,0	24750.0252	
40	M 6	18	16,5	22	9	-30	80	13,0	24750.0262	
40	M 6	23	16,5	22	9	-30	80	14,0	24750.0272	
40	M 6	28	16,5	22	9	-30	80	15,0	24750.0282	
40	M 6	38	16,5	22	9	-30	80	16,0	24750.0292	
50	M 6	14	22,0	26	10	-30	80	19,0	24750.0302	
50	M 6	18	22,0	26	10	-30	80	19,0	24750.0312	
50	M 6	23	22,0	26	10	-30	80	20,0	24750.0322	
50	M 6	28	22,0	26	10	-30	80	21,0	24750.0332	
50	M 6	38	22,0	26	10	-30	80	23,0	24750.0342	
50	M 8	18	22,0	26	10	-30	80	26,0	24750.0352	
50	M 8	23	22,0	26	10	-30	80	27,0	24750.0362	
50	M 8	28	22,0	26	10	-30	80	29,0	24750.0372	
50	M 8	38	22,0	26	10	-30	80	32,0	24750.0382	
50	M 8	48	22,0	26	10	-30	80	35,0	24750.0392	
62	M 8	18	22,0	35	13	-30	80	40,0	24750.0402	
62	M 8	23	22,0	35	13	-30	80	41,0	24750.0412	
62	M 8	28	22,0	35	13	-30	80	43,0	24750.0422	
62	M 8	38	22,0	35	13	-30	80	46,0	24750.0432	
62	M 8	48	22,0	35	13	-30	80	49,0	24750.0442	
62	M10	23	22,0	35	13	-30	80	51,0	24750.0452	
62	M10	28	22,0	35	13	-30	80	54,0	24750.0462	
62	M10	38	22,0	35	13	-30	80	59,0	24750.0472	
62	M10	48	22,0	35	13	-30	80	64,0	24750.0482	
62	M10	58	22,0	35	13	-30	80	69,0	24750.0492	
노란색										
30	M 4	10	14,0	19	7	-30	80	6,1	24750.0103	
30	M 4	14	14,0	19	7	-30	80	6,6	24750.0113	
30	M 4	18	14,0	19	7	-30	80	6,9	24750.0123	
30	M 4	23	14,0	19	7	-30	80	7,3	24750.0133	
30	M 4	28	14,0	19	7	-30	80	7,7	24750.0143	
30	M 5	10	14,0	19	7	-30	80	7,5	24750.0153	
30	M 5	14	14,0	19	7	-30	80	7,9	24750.0163	
30	M 5	18	14,0	19	7	-30	80	8,4	24750.0173	
30	M 5	23	14,0	19	7	-30	80	9,0	24750.0183	
30	M 5	28	14,0	19	7	-30	80	9,0	24750.0193	
40	M 5	10	16,5	22	9	-30	80	9,6	24750.0203	
40	M 5	14	16,5	22	9	-30	80	10,0	24750.0213	
40	M 5	18	16,5	22	9	-30	80	11,0	24750.0223	
40	M 5	23	16,5	22	9	-30	80	12,0	24750.0233	
40	M 5	28	16,5	22	9	-30	80	12,0	24750.0243	
40	M 6	14	16,5	22	9	-30	80	12,0	24750.0253	

d ₁	d ₂	치수				l ₁	l ₂	 최소 최대 [°C]		 [g]	제품 번호
		l	d ₃	[mm]							
40	M 6	18	16,5	22	9	-30	80	13,0	24750.0263		
40	M 6	23	16,5	22	9	-30	80	14,0	24750.0273		
40	M 6	28	16,5	22	9	-30	80	15,0	24750.0283		
40	M 6	38	16,5	22	9	-30	80	16,0	24750.0293		
50	M 6	14	22,0	26	10	-30	80	19,0	24750.0303		
50	M 6	18	22,0	26	10	-30	80	19,0	24750.0313		
50	M 6	23	22,0	26	10	-30	80	20,0	24750.0323		
50	M 6	28	22,0	26	10	-30	80	21,0	24750.0333		
50	M 6	38	22,0	26	10	-30	80	23,0	24750.0343		
50	M 8	18	22,0	26	10	-30	80	26,0	24750.0353		
50	M 8	23	22,0	26	10	-30	80	27,0	24750.0363		
50	M 8	28	22,0	26	10	-30	80	29,0	24750.0373		
50	M 8	38	22,0	26	10	-30	80	32,0	24750.0383		
50	M 8	48	22,0	26	10	-30	80	35,0	24750.0393		
62	M 8	18	22,0	35	13	-30	80	40,0	24750.0403		
62	M 8	23	22,0	35	13	-30	80	41,0	24750.0413		
62	M 8	28	22,0	35	13	-30	80	43,0	24750.0423		
62	M 8	38	22,0	35	13	-30	80	46,0	24750.0433		
62	M 8	48	22,0	35	13	-30	80	49,0	24750.0443		
62	M10	23	22,0	35	13	-30	80	51,0	24750.0453		
62	M10	28	22,0	35	13	-30	80	54,0	24750.0463		
62	M10	38	22,0	35	13	-30	80	59,0	24750.0473		
62	M10	48	22,0	35	13	-30	80	64,0	24750.0483		
62	M10	58	22,0	35	13	-30	80	69,0	24750.0493		
파란색											
30	M 4	10	14,0	19	7	-30	80	6,1	24750.0104		
30	M 4	14	14,0	19	7	-30	80	6,6	24750.0114		
30	M 4	18	14,0	19	7	-30	80	6,9	24750.0124		
30	M 4	23	14,0	19	7	-30	80	7,3	24750.0134		
30	M 4	28	14,0	19	7	-30	80	7,7	24750.0144		
30	M 5	10	14,0	19	7	-30	80	7,5	24750.0154		
30	M 5	14	14,0	19	7	-30	80	7,9	24750.0164		
30	M 5	18	14,0	19	7	-30	80	8,4	24750.0174		
30	M 5	23	14,0	19	7	-30	80	9,0	24750.0184		
30	M 5	28	14,0	19	7	-30	80	9,0	24750.0194		
40	M 5	10	16,5	22	9	-30	80	9,6	24750.0204		
40	M 5	14	16,5	22	9	-30	80	10,0	24750.0214		
40	M 5	18	16,5	22	9	-30	80	11,0	24750.0224		
40	M 5	23	16,5	22	9	-30	80	12,0	24750.0234		
40	M 5	28	16,5	22	9	-30	80	12,0	24750.0244		
40	M 6	14	16,5	22	9	-30	80	12,0	24750.0254		
40	M 6	18	16,5	22	9	-30	80	13,0	24750.0264		
40	M 6	23	16,5	22	9	-30	80	14,0	24750.0274		
40	M 6	28	16,5	22	9	-30	80	15,0	24750.0284		
40	M 6	38	16,5	22	9	-30	80	16,0	24750.0294		
50	M 6	14	22,0	26	10	-30	80	19,0	24750.0304		
50	M 6	18	22,0	26	10	-30	80	19,0	24750.0314		
50	M 6	23	22,0	26	10	-30	80	20,0	24750.0324		
50	M 6	28	22,0	26	10	-30	80	21,0	24750.0334		
50	M 6	38	22,0	26	10	-30	80	23,0	24750.0344		
50	M 8	18	22,0	26	10	-30	80	26,0	24750.0354		
50	M 8	23	22,0	26	10	-30	80	27,0	24750.0364		
50	M 8	28	22,0	26	10	-30	80	29,0	24750.0374		
50	M 8	38	22,0	26	10	-30	80	32,0	24750.0384		
50	M 8	48	22,0	26	10	-30	80	35,0	24750.0394		
62	M 8	18	22,0	35	13	-30	80	40,0	24750.0404		
62	M 8	23	22,0	35	13	-30	80	41,0	24750.0414		
62	M 8	28	22,0	35	13	-30	80	43,0	24750.0424		
62	M 8	38	22,0	35	13	-30	80	46,0	24750.0434		
62	M 8	48	22,0	35	13	-30	80	49,0	24750.0444		
62	M10	23	22,0	35	13	-30	80	51,0	24750.0454		

d ₁	d ₂	치수				최소		최대	[g]	제품 번호
		l	d ₃	l ₁	l ₂	[°C]				
62	M10	28	22,0	35	13	-30	80	54,0	24750.0464	
62	M10	38	22,0	35	13	-30	80	59,0	24750.0474	
62	M10	48	22,0	35	13	-30	80	64,0	24750.0484	
62	M10	58	22,0	35	13	-30	80	69,0	24750.0494	

적용 예



규정 준수

RoHS 준수

지침 2011/65/EU 및 지침 2015/863 준수

SVHC재질을 미포함

0.1% w/w 이상 함유된 SVHC 물질 없음 - 2024년 1월 23일 SVHC 목록.

식수안전 및 독성물질 관리법 물질을 포함하지 않음

식수안전 및 독성물질 관리법 물질들이 포함되어 있지 않음

<https://www.P65Warnings.ca.gov/>

분쟁 광물 포함하지 않음

이 제품은 탄탈륨, 주석, 금 또는 텅스텐 등 민주 공화국 또는 인접 국가에서 "분쟁 광물"로 지정된 물질을 포함하지 않습니다.