

## 조절 클램핑 레버 EH 24440.



### 제품 설명

#### 재질

##### 레버

- 스틸, 흑색처리
- 스텐레스 스틸 1.4305, 블라스트 가공처리

##### 내부 부품

- 스틸, 흑색처리, 재질 5.8,
- 스텐레스 스틸 1.4305, 블라스트 가공처리

##### 나사

- 스틸, 흑색처리, 재질 5.8,
- 스텐레스 스틸 1.4305

##### 볼 손잡이

- 열경화성 플라스틱 (PF31) DIN 319, 검은색

#### 작동

레버를 들면, 내부의 톱니가 풀린다. 톱니에 따라 핸들은 어느 위치로든 회전되고, 핸들을 놓으면, 톱니가 자동적으로 다시 맞물려진다.

#### 더 많은 정보

#### 참조

나사 부분 교체 가능.

### 그림

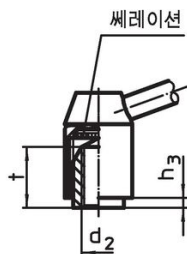
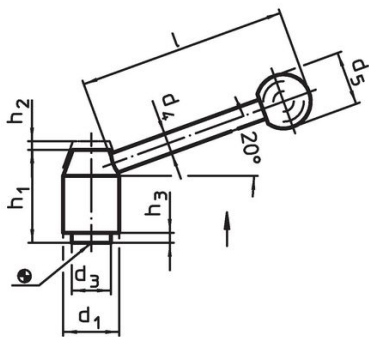


그림 1



그림 2

### 주문 정보

d <sub>1</sub>	d <sub>2</sub>	l <sub>1</sub>	d <sub>3</sub>	d <sub>4</sub>	치수		h <sub>1</sub>	h <sub>2</sub>	h <sub>3</sub>	l	t	[g]	제품 번호.
					d <sub>5</sub>	최소							
[mm]													
암나사 타입 - 그림 1, 스틸													
21	M 6	-	13,5	8	20	33,5	4,0	1,0	70	11	91	24440.0101	
21	M 8	-	13,5	8	20	33,5	4,0	1,0	70	11	89	24440.0102	
24	M 8	-	16,0	10	25	40,0	4,5	2,5	96	14	159	24440.0201	
24	M10	-	16,0	10	25	40,0	4,5	2,5	96	14	153	24440.0202	
28	M10	-	19,0	12	30	48,5	4,5	4,5	110	17	255	24440.0301	
28	M12	-	19,0	12	30	48,5	4,5	4,5	110	17	248	24440.0302	
33	M12	-	23,0	12	32	55,0	5,5	6,0	124	23	365	24440.0401	
33	M16	-	23,0	12	32	55,0	5,5	6,0	124	23	347	24440.0402	
40	M16	-	30,0	14	35	68,0	5,5	6,0	138	36	622	24440.0501	
40	M20	-	30,0	14	35	68,0	5,5	6,0	138	36	599	24440.0502	
수나사 타입 - 그림 2, 스틸													
21	M 8	12	13,5	8	20	33,5	4,0	1,0	70	-	98	24440.0120	
21	M 8	16	13,5	8	20	33,5	4,0	1,0	70	-	99	24440.0122	
21	M 8	20	13,5	8	20	33,5	4,0	1,0	70	-	103	24440.0124	
21	M 8	25	13,5	8	20	33,5	4,0	1,0	70	-	102	24440.0126	
21	M 8	32	13,5	8	20	33,5	4,0	1,0	70	-	105	24440.0128	
21	M 8	40	13,5	8	20	33,5	4,0	1,0	70	-	112	24440.0130	
21	M 8	50	13,5	8	20	33,5	4,0	1,0	70	-	109	24440.0132	
21	M 8	63	13,5	8	20	33,5	4,0	1,0	70	-	114	24440.0134	
24	M10	16	16,0	10	25	40,0	4,5	2,5	96	-	172	24440.0220	
24	M10	20	16,0	10	25	40,0	4,5	2,5	96	-	173	24440.0222	
24	M10	25	16,0	10	25	40,0	4,5	2,5	96	-	174	24440.0224	
24	M10	32	16,0	10	25	40,0	4,5	2,5	96	-	177	24440.0226	

d <sub>1</sub>	d <sub>2</sub>	l <sub>1</sub>	d <sub>3</sub>	d <sub>4</sub>	치수			h <sub>1</sub>	h <sub>2</sub>	h <sub>3</sub>	l ~	t 최소	[g]	제품 번호
					d <sub>5</sub>	[mm]								
24	M10	40	16,0	10	25	40,0	4,5	2,5	96	-	184	24440.0228		
24	M10	50	16,0	10	25	40,0	4,5	2,5	96	-	185	24440.0230		
24	M10	63	16,0	10	25	40,0	4,5	2,5	96	-	195	24440.0232		
24	M10	80	16,0	10	25	40,0	4,5	2,5	96	-	205	24440.0234		
28	M12	16	19,0	12	30	48,5	4,5	4,5	110	-	277	24440.0318		
28	M12	20	19,0	12	30	48,5	4,5	4,5	110	-	282	24440.0320		
28	M12	25	19,0	12	30	48,5	4,5	4,5	110	-	283	24440.0322		
28	M12	32	19,0	12	30	48,5	4,5	4,5	110	-	287	24440.0324		
28	M12	40	19,0	12	30	48,5	4,5	4,5	110	-	298	24440.0326		
28	M12	50	19,0	12	30	48,5	4,5	4,5	110	-	302	24440.0328		
28	M12	63	19,0	12	30	48,5	4,5	4,5	110	-	312	24440.0330		
28	M12	80	19,0	12	30	48,5	4,5	4,5	110	-	320	24440.0332		
33	M16	32	23,0	12	32	55,0	5,5	6,0	124	-	422	24440.0422		
33	M16	40	23,0	12	32	55,0	5,5	6,0	124	-	435	24440.0424		
33	M16	50	23,0	12	32	55,0	5,5	6,0	124	-	446	24440.0426		
33	M16	63	23,0	12	32	55,0	5,5	6,0	124	-	461	24440.0428		
33	M16	80	23,0	12	32	55,0	5,5	6,0	124	-	486	24440.0430		
40	M20	40	30,0	14	35	68,0	5,5	6,0	138	-	772	24440.0520		
40	M20	50	30,0	14	35	68,0	5,5	6,0	138	-	792	24440.0522		
40	M20	63	30,0	14	35	68,0	5,5	6,0	138	-	826	24440.0524		
40	M20	80	30,0	14	35	68,0	5,5	6,0	138	-	859	24440.0526		
암나사 타입 - 그림 1, 스테인리스 스틸														
21	M 6	-	13,5	8	20	33,5	4,0	1,0	70	11	91	24440.0601		
21	M 8	-	13,5	8	20	33,5	4,0	1,0	70	11	89	24440.0602		
24	M 8	-	16,0	10	25	40,0	4,5	2,5	96	14	159	24440.0611		
24	M10	-	16,0	10	25	40,0	4,5	2,5	96	14	153	24440.0612		
28	M10	-	19,0	12	30	48,5	4,5	4,5	110	17	255	24440.0621		
28	M12	-	19,0	12	30	48,5	4,5	4,5	110	17	248	24440.0622		
수나사 타입 - 그림 2, 스테인리스 스틸														
21	M 8	16	13,5	8	20	33,5	4,0	1,0	70	-	99	24440.0702		
21	M 8	20	13,5	8	20	33,5	4,0	1,0	70	-	103	24440.0704		
21	M 8	25	13,5	8	20	33,5	4,0	1,0	70	-	102	24440.0706		
21	M 8	32	13,5	8	20	33,5	4,0	1,0	70	-	105	24440.0708		
21	M 8	40	13,5	8	20	33,5	4,0	1,0	70	-	112	24440.0710		
21	M 8	50	13,5	8	20	33,5	4,0	1,0	70	-	109	24440.0712		
21	M 8	63	13,5	8	20	33,5	4,0	1,0	70	-	114	24440.0714		
24	M10	20	16,0	10	25	40,0	4,5	2,5	96	-	173	24440.0722		
24	M10	25	16,0	10	25	40,0	4,5	2,5	96	-	174	24440.0724		
24	M10	32	16,0	10	25	40,0	4,5	2,5	96	-	177	24440.0726		
24	M10	40	16,0	10	25	40,0	4,5	2,5	96	-	184	24440.0728		
24	M10	50	16,0	10	25	40,0	4,5	2,5	96	-	185	24440.0730		
24	M10	63	16,0	10	25	40,0	4,5	2,5	96	-	195	24440.0732		
24	M10	80	16,0	10	25	40,0	4,5	2,5	96	-	205	24440.0734		
28	M12	25	19,0	12	30	48,5	4,5	4,5	110	-	283	24440.0742		
28	M12	32	19,0	12	30	48,5	4,5	4,5	110	-	287	24440.0744		
28	M12	40	19,0	12	30	48,5	4,5	4,5	110	-	298	24440.0746		
28	M12	50	19,0	12	30	48,5	4,5	4,5	110	-	302	24440.0748		
28	M12	63	19,0	12	30	48,5	4,5	4,5	110	-	312	24440.0750		
28	M12	80	19,0	12	30	48,5	4,5	4,5	110	-	320	24440.0752		

규정 준수

자세한 규정 준수 정보를 보려면 원하는 품목 번호를 선택하십시오.