

조절 클램핑 레버 · 수나사 타입
EH 24400.



제품 설명

조정 가능한 클램핑 레버는 사용 영역이 제한되어 있거나 특정 레버 위치가 필요할 때 다양한 용도로 사용할 수 있습니다.

재질

레버

- 아연 다이 캐스트, 플라스틱 코팅, RAL 2004와 유사한 주황색, 무광
- 아연 다이 캐스트, 플라스틱 코팅처리, 은색, RAL 9006과 유사, 무광 처리
- 아연 다이 캐스트, 플라스틱 코팅처리, 검은색, RAL 9005와 유사, 무광 처리

내부 부품

- 스틸, 흑색처리, 재질 5.8,

나사

- 스틸, 흑색처리, 재질 5.8,

작동

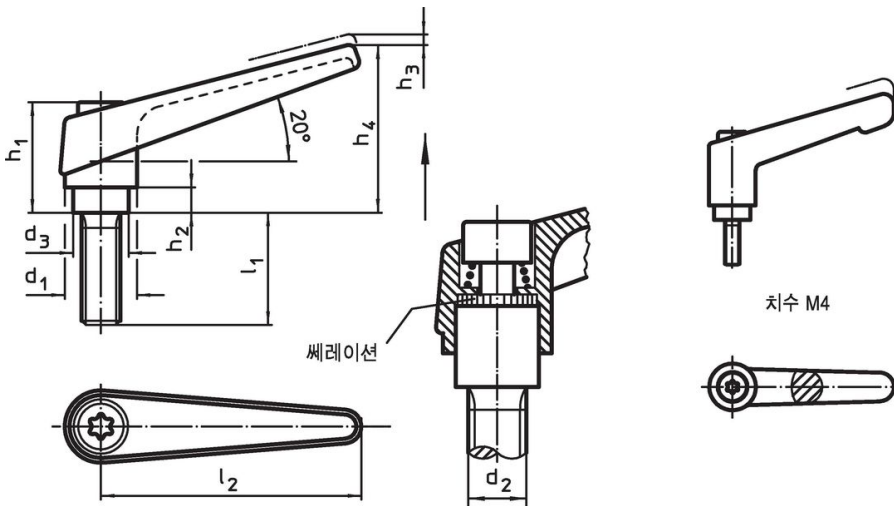
레버를 들면, 내부의 톱니가 풀린다. 톱니에 따라 핸들은 어느 위치로든 회전되고, 핸들을 놓으면, 톱니가 자동적으로 다시 맞물려진다.

더 많은 정보

참조

스크류 부분을 교체 가능.

그림



주문 정보

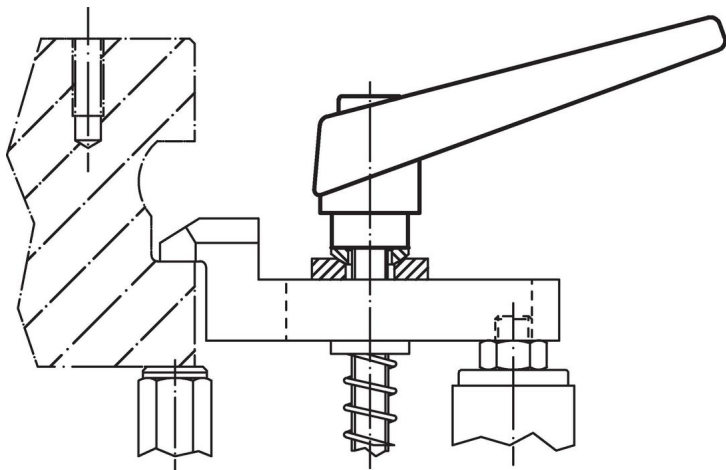
d ₁	d ₂	l ₁	d ₃	치수					[g]	제품 번호.
				h ₁	h ₂	h ₃	h ₄	l ₂		
[mm]										
주황색										
13	M 4	12	10,0	24,5	4,0	3,5	30,5	30	27	24400.0010
13	M 4	16	10,0	24,5	4,0	3,5	30,5	30	27	24400.0014
13	M 4	20	10,0	24,5	4,0	3,5	30,5	30	28	24400.0018
13	M 4	25	10,0	24,5	4,0	3,5	30,5	30	28	24400.0022
13	M 4	32	10,0	24,5	4,0	3,5	30,5	30	28	24400.0026
14	M 5	12	10,0	24,5	4,0	3,0	35,0	45	36	24400.0041
14	M 5	16	10,0	24,5	4,0	3,0	35,0	45	36	24400.0051
14	M 5	20	10,0	24,5	4,0	3,0	35,0	45	37	24400.0061
14	M 5	25	10,0	24,5	4,0	3,0	35,0	45	38	24400.0071
14	M 5	32	10,0	24,5	4,0	3,0	35,0	45	38	24400.0081
14	M 5	40	10,0	24,5	4,0	3,0	35,0	45	39	24400.0086
14	M 6	12	10,0	24,5	4,0	3,0	35,0	45	37	24400.0131
14	M 6	16	10,0	24,5	4,0	3,0	35,0	45	37	24400.0141
14	M 6	20	10,0	24,5	4,0	3,0	35,0	45	39	24400.0151
14	M 6	25	10,0	24,5	4,0	3,0	35,0	45	41	24400.0161
14	M 6	32	10,0	24,5	4,0	3,0	35,0	45	40	24400.0171
14	M 6	40	10,0	24,5	4,0	3,0	35,0	45	41	24400.0181
14	M 6	50	10,0	24,5	4,0	3,0	35,0	45	43	24400.0191

d ₁	d ₂	l ₁	d ₃	치수				l ₂	[g]	제품 번호
				h ₁	h ₂	h ₃	h ₄			
				[mm]						
18	M 6	16	13,5	31,0	6,5	3,0	45,0	62	72	24400.0221
18	M 6	20	13,5	31,0	6,5	3,0	45,0	62	72	24400.0231
18	M 6	25	13,5	31,0	6,5	3,0	45,0	62	74	24400.0241
18	M 6	32	13,5	31,0	6,5	3,0	45,0	62	74	24400.0251
18	M 6	40	13,5	31,0	6,5	3,0	45,0	62	76	24400.0261
18	M 6	50	13,5	31,0	6,5	3,0	45,0	62	76	24400.0271
18	M 6	63	13,5	31,0	6,5	3,0	45,0	62	80	24400.0281
18	M 8	16	13,5	31,0	6,5	3,0	45,0	62	74	24400.0331
18	M 8	20	13,5	31,0	6,5	3,0	45,0	62	76	24400.0341
18	M 8	25	13,5	31,0	6,5	3,0	45,0	62	86	24400.0351
18	M 8	32	13,5	31,0	6,5	3,0	45,0	62	86	24400.0361
18	M 8	40	13,5	31,0	6,5	3,0	45,0	62	88	24400.0371
18	M 8	50	13,5	31,0	6,5	3,0	45,0	62	89	24400.0381
18	M 8	63	13,5	31,0	6,5	3,0	45,0	62	96	24400.0391
22	M10	20	16,0	36,0	8,0	3,5	52,0	74	128	24400.0441
22	M10	25	16,0	36,0	8,0	3,5	52,0	74	130	24400.0451
22	M10	32	16,0	36,0	8,0	3,5	52,0	74	134	24400.0461
22	M10	40	16,0	36,0	8,0	3,5	52,0	74	138	24400.0471
22	M10	50	16,0	36,0	8,0	3,5	52,0	74	143	24400.0481
22	M10	63	16,0	36,0	8,0	3,5	52,0	74	152	24400.0486
22	M10	80	16,0	36,0	8,0	3,5	52,0	74	166	24400.0491
25	M12	25	19,0	43,0	11,0	4,0	63,0	89	205	24400.0541
25	M12	32	19,0	43,0	11,0	4,0	63,0	89	209	24400.0551
25	M12	40	19,0	43,0	11,0	4,0	63,0	89	215	24400.0561
25	M12	50	19,0	43,0	11,0	4,0	63,0	89	222	24400.0571
25	M12	63	19,0	43,0	11,0	4,0	63,0	89	232	24400.0581
25	M12	80	19,0	43,0	11,0	4,0	63,0	89	244	24400.0591
30	M16	32	23,0	50,5	12,0	5,0	76,0	108	348	24400.0641
30	M16	40	23,0	50,5	12,0	5,0	76,0	108	357	24400.0651
30	M16	50	23,0	50,5	12,0	5,0	76,0	108	370	24400.0661
30	M16	63	23,0	50,5	12,0	5,0	76,0	108	386	24400.0671
30	M16	80	23,0	50,5	12,0	5,0	76,0	108	407	24400.0681
10 색										
14	M 5	12	10,0	24,5	4,0	3,0	35,0	45	36	24400.0043
14	M 5	16	10,0	24,5	4,0	3,0	35,0	45	36	24400.0053
14	M 5	20	10,0	24,5	4,0	3,0	35,0	45	37	24400.0063
14	M 5	25	10,0	24,5	4,0	3,0	35,0	45	38	24400.0073
14	M 5	32	10,0	24,5	4,0	3,0	35,0	45	38	24400.0083
14	M 5	40	10,0	24,5	4,0	3,0	35,0	45	39	24400.0088
14	M 6	12	10,0	24,5	4,0	3,0	35,0	45	37	24400.0133
14	M 6	16	10,0	24,5	4,0	3,0	35,0	45	37	24400.0143
14	M 6	20	10,0	24,5	4,0	3,0	35,0	45	39	24400.0153
14	M 6	25	10,0	24,5	4,0	3,0	35,0	45	41	24400.0163
14	M 6	32	10,0	24,5	4,0	3,0	35,0	45	40	24400.0173
14	M 6	40	10,0	24,5	4,0	3,0	35,0	45	41	24400.0183
14	M 6	50	10,0	24,5	4,0	3,0	35,0	45	43	24400.0193
18	M 6	16	13,5	31,0	6,5	3,0	45,0	62	72	24400.0223
18	M 6	20	13,5	31,0	6,5	3,0	45,0	62	72	24400.0233
18	M 6	25	13,5	31,0	6,5	3,0	45,0	62	74	24400.0243
18	M 6	32	13,5	31,0	6,5	3,0	45,0	62	74	24400.0253
18	M 6	40	13,5	31,0	6,5	3,0	45,0	62	76	24400.0263
18	M 6	50	13,5	31,0	6,5	3,0	45,0	62	76	24400.0273
18	M 6	63	13,5	31,0	6,5	3,0	45,0	62	80	24400.0283
18	M 8	16	13,5	31,0	6,5	3,0	45,0	62	74	24400.0333
18	M 8	20	13,5	31,0	6,5	3,0	45,0	62	76	24400.0343
18	M 8	25	13,5	31,0	6,5	3,0	45,0	62	86	24400.0353
18	M 8	32	13,5	31,0	6,5	3,0	45,0	62	86	24400.0363
18	M 8	40	13,5	31,0	6,5	3,0	45,0	62	88	24400.0373
18	M 8	50	13,5	31,0	6,5	3,0	45,0	62	89	24400.0383
18	M 8	63	13,5	31,0	6,5	3,0	45,0	62	96	24400.0393
22	M10	20	16,0	36,0	8,0	3,5	52,0	74	128	24400.0443
22	M10	25	16,0	36,0	8,0	3,5	52,0	74	130	24400.0453

d ₁	d ₂	l ₁	d ₃	치수					l ₂	[g]	제품 번호
				h ₁	h ₂	h ₃	h ₄	[mm]			
22	M10	32	16,0	36,0	8,0	3,5	52,0	74	134	24400.0463	
22	M10	40	16,0	36,0	8,0	3,5	52,0	74	138	24400.0473	
22	M10	50	16,0	36,0	8,0	3,5	52,0	74	143	24400.0483	
22	M10	63	16,0	36,0	8,0	3,5	52,0	74	152	24400.0488	
22	M10	80	16,0	36,0	8,0	3,5	52,0	74	166	24400.0493	
25	M12	25	19,0	43,0	11,0	4,0	63,0	89	205	24400.0543	
25	M12	32	19,0	43,0	11,0	4,0	63,0	89	209	24400.0553	
25	M12	40	19,0	43,0	11,0	4,0	63,0	89	215	24400.0563	
25	M12	50	19,0	43,0	11,0	4,0	63,0	89	222	24400.0573	
25	M12	63	19,0	43,0	11,0	4,0	63,0	89	232	24400.0583	
25	M12	80	19,0	43,0	11,0	4,0	63,0	89	244	24400.0593	
30	M16	32	23,0	50,5	12,0	5,0	76,0	108	348	24400.0643	
30	M16	40	23,0	50,5	12,0	5,0	76,0	108	357	24400.0653	
30	M16	50	23,0	50,5	12,0	5,0	76,0	108	370	24400.0663	
30	M16	63	23,0	50,5	12,0	5,0	76,0	108	386	24400.0673	
30	M16	80	23,0	50,5	12,0	5,0	76,0	108	407	24400.0683	
검정색											
13	M 4	12	10,0	24,5	4,0	3,5	30,5	30	27	24400.0012	
13	M 4	16	10,0	24,5	4,0	3,5	30,5	30	27	24400.0016	
13	M 4	20	10,0	24,5	4,0	3,5	30,5	30	28	24400.0020	
13	M 4	25	10,0	24,5	4,0	3,5	30,5	30	28	24400.0024	
13	M 4	32	10,0	24,5	4,0	3,5	30,5	30	28	24400.0028	
14	M 5	12	10,0	24,5	4,0	3,0	35,0	45	36	24400.0044	
14	M 5	16	10,0	24,5	4,0	3,0	35,0	45	36	24400.0054	
14	M 5	20	10,0	24,5	4,0	3,0	35,0	45	37	24400.0064	
14	M 5	25	10,0	24,5	4,0	3,0	35,0	45	38	24400.0074	
14	M 5	32	10,0	24,5	4,0	3,0	35,0	45	38	24400.0084	
14	M 5	40	10,0	24,5	4,0	3,0	35,0	45	39	24400.0089	
14	M 6	12	10,0	24,5	4,0	3,0	35,0	45	37	24400.0134	
14	M 6	16	10,0	24,5	4,0	3,0	35,0	45	37	24400.0144	
14	M 6	20	10,0	24,5	4,0	3,0	35,0	45	39	24400.0154	
14	M 6	25	10,0	24,5	4,0	3,0	35,0	45	41	24400.0164	
14	M 6	32	10,0	24,5	4,0	3,0	35,0	45	40	24400.0174	
14	M 6	40	10,0	24,5	4,0	3,0	35,0	45	41	24400.0184	
14	M 6	50	10,0	24,5	4,0	3,0	35,0	45	43	24400.0194	
18	M 6	16	13,5	31,0	6,5	3,0	45,0	62	72	24400.0224	
18	M 6	20	13,5	31,0	6,5	3,0	45,0	62	72	24400.0234	
18	M 6	25	13,5	31,0	6,5	3,0	45,0	62	74	24400.0244	
18	M 6	32	13,5	31,0	6,5	3,0	45,0	62	74	24400.0254	
18	M 6	40	13,5	31,0	6,5	3,0	45,0	62	76	24400.0264	
18	M 6	50	13,5	31,0	6,5	3,0	45,0	62	76	24400.0274	
18	M 6	63	13,5	31,0	6,5	3,0	45,0	62	80	24400.0284	
18	M 8	16	13,5	31,0	6,5	3,0	45,0	62	74	24400.0334	
18	M 8	20	13,5	31,0	6,5	3,0	45,0	62	76	24400.0344	
18	M 8	25	13,5	31,0	6,5	3,0	45,0	62	86	24400.0354	
18	M 8	32	13,5	31,0	6,5	3,0	45,0	62	86	24400.0364	
18	M 8	40	13,5	31,0	6,5	3,0	45,0	62	88	24400.0374	
18	M 8	50	13,5	31,0	6,5	3,0	45,0	62	89	24400.0384	
18	M 8	63	13,5	31,0	6,5	3,0	45,0	62	96	24400.0394	
22	M10	20	16,0	36,0	8,0	3,5	52,0	74	128	24400.0444	
22	M10	25	16,0	36,0	8,0	3,5	52,0	74	130	24400.0454	
22	M10	32	16,0	36,0	8,0	3,5	52,0	74	134	24400.0464	
22	M10	40	16,0	36,0	8,0	3,5	52,0	74	138	24400.0474	
22	M10	50	16,0	36,0	8,0	3,5	52,0	74	143	24400.0484	
22	M10	63	16,0	36,0	8,0	3,5	52,0	74	152	24400.0489	
22	M10	80	16,0	36,0	8,0	3,5	52,0	74	166	24400.0494	
25	M12	25	19,0	43,0	11,0	4,0	63,0	89	205	24400.0544	
25	M12	32	19,0	43,0	11,0	4,0	63,0	89	209	24400.0554	
25	M12	40	19,0	43,0	11,0	4,0	63,0	89	215	24400.0564	
25	M12	50	19,0	43,0	11,0	4,0	63,0	89	222	24400.0574	
25	M12	63	19,0	43,0	11,0	4,0	63,0	89	232	24400.0584	
25	M12	80	19,0	43,0	11,0	4,0	63,0	89	244	24400.0594	

d ₁	d ₂	l ₁	d ₃	치수					l ₂	[g]	제품 번호
				h ₁	h ₂	h ₃	h ₄	[mm]			
30	M16	32	23,0	50,5	12,0	5,0	76,0	108	348	24400.0644	
30	M16	40	23,0	50,5	12,0	5,0	76,0	108	357	24400.0654	
30	M16	50	23,0	50,5	12,0	5,0	76,0	108	370	24400.0664	
30	M16	63	23,0	50,5	12,0	5,0	76,0	108	386	24400.0674	
30	M16	80	23,0	50,5	12,0	5,0	76,0	108	407	24400.0684	

적용 예



규정 준수

RoHS 준수

납 성분 포함 - 예외조항 6a / 6b / 6c 준수

0.1% w/w 이상 함유된 SVHC 물질 포함

납 성분 포함 - 2024년 1월 23일 SVHC 목록

식수안전 및 독성물질 관리법 물질 포함



납은 노출로 인해 압과 생식 기능에 해를 끼칠 수 있습니다
<https://www.P65Warnings.ca.gov/>

분쟁 광물 포함하지 않음

이 제품은 탄탈륨, 주석, 금 또는 텅스텐 등 민주 공화국 또는 인접 국가에서 "분쟁 광물"로 지정된 물질을 포함하지 않습니다.