

조절 클램핑 레버 · 스텐레스 스틸 재질의 내부부품, 숫나사 타입
EH 24390.



제품 설명

녹 방지 재질의 내부 부품이 있는 타입. 의료기 산업이나 화학 산업 등 다양한 분야에 사용 가능.

재질

레버

- 아연 다이 캐스트, 플라스틱 코팅, RAL 2004와 유사한 주황색, 무광
- 아연 다이 캐스트, 플라스틱 코팅처리, 검은색, RAL 9005와 유사, 무광 처리

내부 부품

- 스텐레스 스틸 1.4305

나사

- 스텐레스 스틸 1.4305

작동

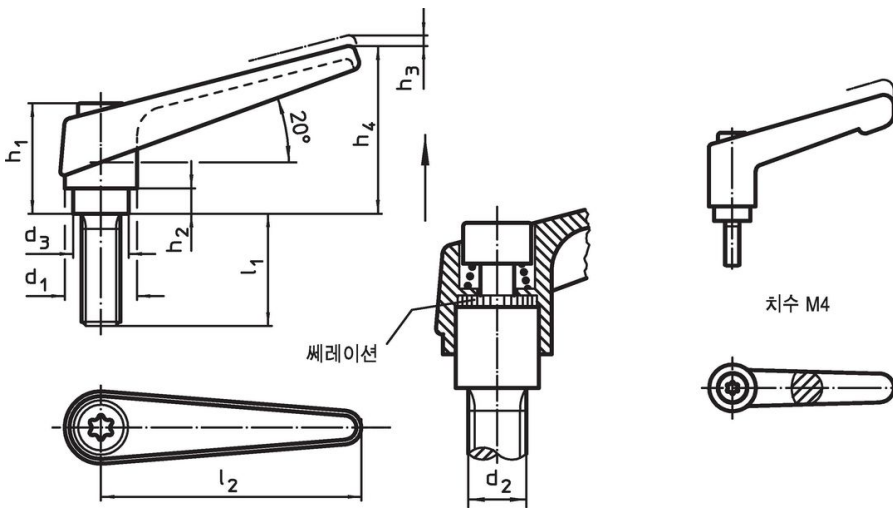
레버를 들면, 내부의 톱니가 풀린다. 톱니에 따라 핸들은 어느 위치로든 회전되고, 핸들을 놓으면, 톱니가 자동적으로 다시 맞물려진다.

더 많은 정보

참조

스크류 부분을 교체 가능.

그림



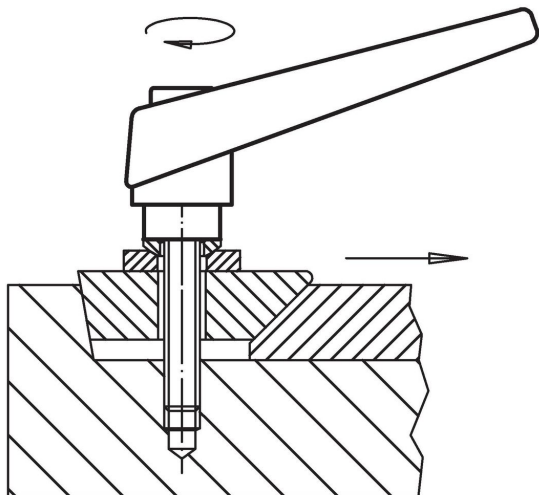
주문 정보

d ₁	d ₂	l ₁	d ₃	치수					[g]	제품 번호.
				h ₁	h ₂	h ₃	h ₄	l ₂		
[mm]										
주황색										
13	M 4	12	10,0	24,5	4,0	3,5	30,5	30	27	24390.0010
13	M 4	16	10,0	24,5	4,0	3,5	30,5	30	30	24390.0014
13	M 4	20	10,0	24,5	4,0	3,5	30,5	30	28	24390.0018
13	M 4	25	10,0	24,5	4,0	3,5	30,5	30	28	24390.0022
13	M 4	32	10,0	24,5	4,0	3,5	30,5	30	29	24390.0026
14	M 5	12	10,0	24,5	4,0	3,0	35,0	45	36	24390.0041
14	M 5	16	10,0	24,5	4,0	3,0	35,0	45	36	24390.0051
14	M 5	20	10,0	24,5	4,0	3,0	35,0	45	37	24390.0061
14	M 5	25	10,0	24,5	4,0	3,0	35,0	45	38	24390.0071
14	M 5	32	10,0	24,5	4,0	3,0	35,0	45	38	24390.0081
14	M 5	40	10,0	24,5	4,0	3,0	35,0	45	39	24390.0086
14	M 6	12	10,0	24,5	4,0	3,0	35,0	45	37	24390.0131
14	M 6	16	10,0	24,5	4,0	3,0	35,0	45	37	24390.0141
14	M 6	20	10,0	24,5	4,0	3,0	35,0	45	38	24390.0151
14	M 6	25	10,0	24,5	4,0	3,0	35,0	45	39	24390.0161
14	M 6	32	10,0	24,5	4,0	3,0	35,0	45	40	24390.0171
14	M 6	40	10,0	24,5	4,0	3,0	35,0	45	41	24390.0181
14	M 6	50	10,0	24,5	4,0	3,0	35,0	45	43	24390.0191
18	M 8	16	13,5	31,0	6,5	3,0	45,0	62	74	24390.0331
18	M 8	20	13,5	31,0	6,5	3,0	45,0	62	76	24390.0341

d ₁	d ₂	l ₁	d ₃	치수					l ₂	[g]	제품 번호
				h ₁	h ₂	h ₃	h ₄	[mm]			
18	M 8	25	13,5	31,0	6,5	3,0	45,0	62	77	24390.0351	
18	M 8	32	13,5	31,0	6,5	3,0	45,0	62	79	24390.0361	
18	M 8	40	13,5	31,0	6,5	3,0	45,0	62	81	24390.0371	
18	M 8	50	13,5	31,0	6,5	3,0	45,0	62	84	24390.0381	
18	M 8	63	13,5	31,0	6,5	3,0	45,0	62	89	24390.0391	
22	M10	20	16,0	36,0	8,0	3,5	52,0	74	128	24390.0441	
22	M10	25	16,0	36,0	8,0	3,5	52,0	74	130	24390.0451	
22	M10	32	16,0	36,0	8,0	3,5	52,0	74	134	24390.0461	
22	M10	40	16,0	36,0	8,0	3,5	52,0	74	138	24390.0471	
22	M10	50	16,0	36,0	8,0	3,5	52,0	74	143	24390.0481	
22	M10	63	16,0	36,0	8,0	3,5	52,0	74	148	24390.0486	
22	M10	80	16,0	36,0	8,0	3,5	52,0	74	157	24390.0491	
25	M12	25	19,0	43,0	11,0	4,0	63,0	89	205	24390.0541	
25	M12	32	19,0	43,0	11,0	4,0	63,0	89	209	24390.0551	
25	M12	40	19,0	43,0	11,0	4,0	63,0	89	215	24390.0561	
25	M12	50	19,0	43,0	11,0	4,0	63,0	89	222	24390.0571	
25	M12	63	19,0	43,0	11,0	4,0	63,0	89	232	24390.0581	
25	M12	80	19,0	43,0	11,0	4,0	63,0	89	240	24390.0591	
30	M16	32	23,0	50,5	12,0	5,0	76,0	108	348	24390.0641	
30	M16	40	23,0	50,5	12,0	5,0	76,0	108	357	24390.0651	
30	M16	50	23,0	50,5	12,0	5,0	76,0	108	370	24390.0661	
30	M16	63	23,0	50,5	12,0	5,0	76,0	108	386	24390.0671	
30	M16	80	23,0	50,5	12,0	5,0	76,0	108	407	24390.0681	
검정색											
13	M 4	12	10,0	24,5	4,0	3,5	30,5	30	27	24390.0012	
13	M 4	16	10,0	24,5	4,0	3,5	30,5	30	30	24390.0016	
13	M 4	20	10,0	24,5	4,0	3,5	30,5	30	28	24390.0020	
13	M 4	25	10,0	24,5	4,0	3,5	30,5	30	28	24390.0024	
13	M 4	32	10,0	24,5	4,0	3,5	30,5	30	29	24390.0028	
14	M 5	12	10,0	24,5	4,0	3,0	35,0	45	36	24390.0044	
14	M 5	16	10,0	24,5	4,0	3,0	35,0	45	36	24390.0054	
14	M 5	20	10,0	24,5	4,0	3,0	35,0	45	37	24390.0064	
14	M 5	25	10,0	24,5	4,0	3,0	35,0	45	38	24390.0074	
14	M 5	32	10,0	24,5	4,0	3,0	35,0	45	38	24390.0084	
14	M 5	40	10,0	24,5	4,0	3,0	35,0	45	39	24390.0089	
14	M 6	12	10,0	24,5	4,0	3,0	35,0	45	37	24390.0134	
14	M 6	16	10,0	24,5	4,0	3,0	35,0	45	37	24390.0144	
14	M 6	20	10,0	24,5	4,0	3,0	35,0	45	38	24390.0154	
14	M 6	25	10,0	24,5	4,0	3,0	35,0	45	39	24390.0164	
14	M 6	32	10,0	24,5	4,0	3,0	35,0	45	40	24390.0174	
14	M 6	40	10,0	24,5	4,0	3,0	35,0	45	41	24390.0184	
14	M 6	50	10,0	24,5	4,0	3,0	35,0	45	43	24390.0194	
18	M 8	16	13,5	31,0	6,5	3,0	45,0	62	74	24390.0334	
18	M 8	20	13,5	31,0	6,5	3,0	45,0	62	76	24390.0344	
18	M 8	25	13,5	31,0	6,5	3,0	45,0	62	77	24390.0354	
18	M 8	32	13,5	31,0	6,5	3,0	45,0	62	79	24390.0364	
18	M 8	40	13,5	31,0	6,5	3,0	45,0	62	81	24390.0374	
18	M 8	50	13,5	31,0	6,5	3,0	45,0	62	84	24390.0384	
18	M 8	63	13,5	31,0	6,5	3,0	45,0	62	89	24390.0394	
22	M10	20	16,0	36,0	8,0	3,5	52,0	74	128	24390.0444	
22	M10	25	16,0	36,0	8,0	3,5	52,0	74	130	24390.0454	
22	M10	32	16,0	36,0	8,0	3,5	52,0	74	134	24390.0464	
22	M10	40	16,0	36,0	8,0	3,5	52,0	74	138	24390.0474	
22	M10	50	16,0	36,0	8,0	3,5	52,0	74	143	24390.0484	
22	M10	63	16,0	36,0	8,0	3,5	52,0	74	148	24390.0489	
22	M10	80	16,0	36,0	8,0	3,5	52,0	74	157	24390.0494	
25	M12	25	19,0	43,0	11,0	4,0	63,0	89	205	24390.0544	
25	M12	32	19,0	43,0	11,0	4,0	63,0	89	209	24390.0554	
25	M12	40	19,0	43,0	11,0	4,0	63,0	89	215	24390.0564	
25	M12	50	19,0	43,0	11,0	4,0	63,0	89	222	24390.0574	
25	M12	63	19,0	43,0	11,0	4,0	63,0	89	232	24390.0584	
25	M12	80	19,0	43,0	11,0	4,0	63,0	89	240	24390.0594	

d ₁	d ₂	l ₁	d ₃	치수					l ₂	[g]	제품 번호
				h ₁	h ₂	h ₃	h ₄	[mm]			
30	M16	32	23,0	50,5	12,0	5,0	76,0	108	348	24390.0644	
30	M16	40	23,0	50,5	12,0	5,0	76,0	108	357	24390.0654	
30	M16	50	23,0	50,5	12,0	5,0	76,0	108	370	24390.0664	
30	M16	63	23,0	50,5	12,0	5,0	76,0	108	386	24390.0674	
30	M16	80	23,0	50,5	12,0	5,0	76,0	108	407	24390.0684	

적용 예



규정 준수

RoHS 준수

납 성분 포함 - 예외조항 6a / 6b / 6c 준수

0.1% w/w 이상 함유된 SVHC 물질 포함

납 성분 포함 - 2024년 6월 27일 SVHC 목록

식수안전 및 독성물질 관리법 물질 포함



납은 노출로 인해 압과 생식 기능에 해를 끼칠 수 있습니다

<https://www.P65Warnings.ca.gov/>

분쟁 광물 포함하지 않음

이 제품은 탄탈륨, 주석, 금 또는 텅스텐 등 민주 공화국 또는 인접 국가에서 "분쟁 광물"로 지정된 물질을 포함하지 않습니다.