

T-슬롯 용 너트 · DIN 508 EH 23010.



제품 설명

T-슬롯 용 너트는 DIN 508에 따라 만들어짐. DIN에 포함되지 않은 다른치수에 대해서도 이용 가능.

재질

- 열처리 스틸, 재질 8, 밝은색
- 열처리 스틸, 열처리, 재질 10, 흑색 처리
- 스텐레스 스틸 1.4301

조립

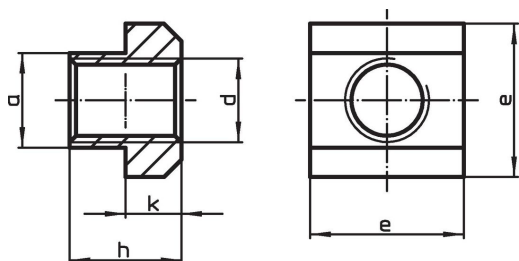
T-너트의 전체 나사산 길이에 대해서 나사 조임이 보장되는 경우에만 T-너트의 전체 하중 용량을 적용할 수 있음.

더 많은 정보


참조

스페셜 타입 별도 요청.


그림



주문 정보

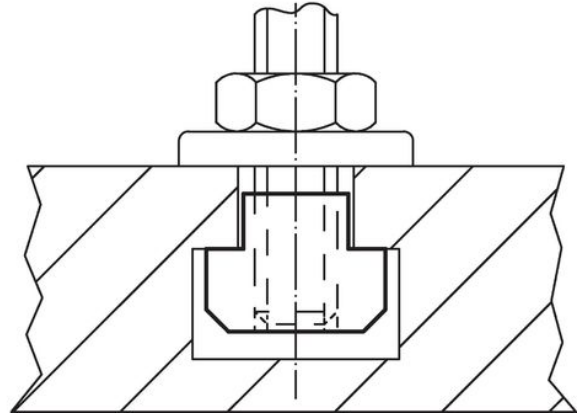
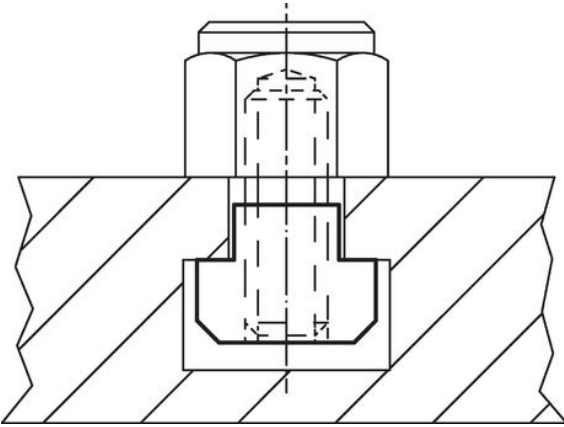
T-슬롯 사이즈	d	a	치수			T-슬롯용 DIN 650	DIN 508에 대 한 테스트력 F 최소		제품 번호.
[mm]			[mm]			[mm]	[kN]	[g]	
열처리 스틸, 재질 8, 밝은색									
5	M 4	4,6	9	6,5	3	5	7,0	2,4	23010.0051
6	M 5	5,6	10	8,0	4	6	11,4	3,4	23010.0061
8	M 6	7,6	13	10,0	6	8	16,0	8,3	23010.0081
10	M 6	9,6	15	12,0	6	10	16,0	14,0	23010.0103 ¹⁾
10	M 8	9,6	15	12,0	6	10	29,0	12,0	23010.0101
12	M 8	11,6	18	14,0	7	12	29,0	23,0	23010.0123 ¹⁾
12	M10	11,6	18	14,0	7	12	46,0	20,0	23010.0121
14	M10	13,6	22	16,0	8	14	46,0	38,0	23010.0143 ¹⁾
14	M12	13,6	22	16,0	8	14	67,0	34,0	23010.0141
16	M12	15,6	25	18,0	9	16	67,0	55,0	23010.0163 ¹⁾
16	M14	15,6	25	18,0	9	16	-	49,0	23010.0161 ¹⁾
18	M14	17,6	28	20,0	10	18	-	74,0	23010.0183 ¹⁾
18	M16	17,6	28	20,0	10	18	128,0	68,0	23010.0181
20	M16	19,6	32	24,0	12	20	128,0	116,0	23010.0203 ¹⁾
20	M18	19,6	32	24,0	12	20	-	107,0	23010.0201 ¹⁾
22	M18	21,6	35	28,0	14	22	-	162,0	23010.0223 ¹⁾
22	M20	21,6	35	28,0	14	22	196,0	149,0	23010.0221
24	M20	23,6	40	32,0	16	24	196,0	236,0	23010.0243 ¹⁾
24	M22	23,6	40	32,0	16	24	-	221,0	23010.0241 ¹⁾
28	M24	27,6	44	36,0	18	28	282,0	317,0	23010.0281
36	M30	35,5	54	44,0	22	36	448,0	585,0	23010.0361
42	M36	41,5	65	52,0	26	42	653,0	1000,0	23010.0421
48	M42	47,5	75	60,0	30	48	653,0	1500,0	23010.0481
54	M48	53,4	85	70,0	34	54	653,0	2264,0	23010.0541

¹⁾ 이 치수들은 DIN 규격이 아님.

T-슬롯 사이즈 [mm]	d	a	치수			T-슬롯용 DIN 650 [mm]	DIN 508에 대 한 테스트팅력 F 최소 [kN]	 [g]	제품 번호
			e	h	k				
열처리 스틸, 열처리, 재질 10, 흑색 처리									
5	M 4	4,6	9	6,5	3	5	7,0	2,4	23010.0052
6	M 5	5,6	10	8,0	4	6	11,4	3,4	23010.0062
8	M 6	7,6	13	10,0	6	8	16,0	8,3	23010.0082
10	M 6	9,6	15	12,0	6	10	16,0	14,0	23010.0104 ¹⁾
10	M 8	9,6	15	12,0	6	10	29,0	12,0	23010.0102
12	M 8	11,6	18	14,0	7	12	29,0	23,0	23010.0124 ¹⁾
12	M10	11,6	18	14,0	7	12	46,0	20,0	23010.0122
14	M 6	13,6	22	16,0	8	14	16,0	43,0	23010.0146 ¹⁾
14	M 8	13,6	22	16,0	8	14	29,0	41,0	23010.0145 ¹⁾
14	M10	13,6	22	16,0	8	14	46,0	38,0	23010.0144 ¹⁾
14	M12	13,6	22	16,0	8	14	67,0	34,0	23010.0142
16	M 8	15,6	25	18,0	9	16	29,0	62,0	23010.0166 ¹⁾
16	M10	15,6	25	18,0	9	16	46,0	58,0	23010.0165 ¹⁾
16	M12	15,6	25	18,0	9	16	67,0	55,0	23010.0164 ¹⁾
16	M14	15,6	25	18,0	9	16	-	49,0	23010.0162 ¹⁾
18	M 8	17,6	28	20,0	10	18	29,0	89,0	23010.0187 ¹⁾
18	M10	17,6	28	20,0	10	18	46,0	85,0	23010.0186 ¹⁾
18	M12	17,6	28	20,0	10	18	67,0	98,0	23010.0185 ¹⁾
18	M14	17,6	28	20,0	10	18	-	74,0	23010.0184 ¹⁾
18	M16	17,6	28	20,0	10	18	128,0	68,0	23010.0182
20	M12	19,6	32	24,0	12	20	67,0	131,0	23010.0205 ¹⁾
20	M16	19,6	32	24,0	12	20	128,0	116,0	23010.0204 ¹⁾
20	M18	19,6	32	24,0	12	20	-	107,0	23010.0202 ¹⁾
22	M12	21,6	35	28,0	14	22	67,0	189,0	23010.0225 ¹⁾
22	M16	21,6	35	28,0	14	22	128,0	172,0	23010.0226 ¹⁾
22	M18	21,6	35	28,0	14	22	-	162,0	23010.0224 ¹⁾
22	M20	21,6	35	28,0	14	22	196,0	149,0	23010.0222
24	M16	23,6	40	32,0	16	24	128,0	262,0	23010.0246 ¹⁾
24	M20	23,6	40	32,0	16	24	196,0	236,0	23010.0244 ¹⁾
24	M22	23,6	40	32,0	16	24	-	221,0	23010.0242 ¹⁾
28	M16	27,6	44	36,0	18	28	128,0	375,0	23010.0286 ¹⁾
28	M20	27,6	44	36,0	18	28	196,0	349,0	23010.0284 ¹⁾
28	M22	27,6	44	36,0	18	28	-	332,0	23010.0283 ¹⁾
28	M24	27,6	44	36,0	18	28	282,0	317,0	23010.0282
32	M27	31,5	50	40,0	20	32	-	460,0	23010.0322 ¹⁾
36	M24	35,5	54	44,0	22	36	282,0	663,0	23010.0364 ¹⁾
36	M30	35,5	54	44,0	22	36	448,0	585,0	23010.0362
42	M36	41,5	65	52,0	26	42	653,0	1000,0	23010.0422
48	M42	47,5	75	60,0	30	48	653,0	1500,0	23010.0482
54	M48	53,4	85	70,0	34	54	653,0	2264,0	23010.0542
스텐레스 스틸 1.4301									
8	M 6	7,6	13	10,0	6	8	16,0	8,3	23010.0721
10	M 8	9,6	15	12,0	6	10	29,0	12,0	23010.0731
12	M10	11,6	18	14,0	7	12	46,0	20,0	23010.0741
14	M12	13,6	22	16,0	8	14	67,0	34,0	23010.0751
16	M14	15,6	25	18,0	9	16	-	49,0	23010.0761 ¹⁾
18	M16	17,6	28	20,0	10	18	128,0	68,0	23010.0781

¹⁾ 이 치수들은 DIN 규격이 아님.

적용 예



규정 준수

RoHS 준수

지침 2011/65/EU 및 지침 2015/863 준수

SVHC재질을 미포함

0.1% w/w 이상 함유된 SVHC 물질 없음 - 2024년 6월 27일 SVHC 목록.

식수안전 및 독성물질 관리법 물질을 포함하지 않음

식수안전 및 독성물질 관리법 물질들이 포함되어 있지 않음

<https://www.P65Warnings.ca.gov/>

분쟁 광물 포함하지 않음

이 제품은 탄탈륨, 주석, 금 또는 텅스텐 등 민주 공화국 또는 인접 국가에서 "분쟁 광물"로 지정된 물질을 포함하지 않습니다.