

위치 핀·볼타입  
EH 22630.



제품 설명

볼타입 위치 핀은 가공물 삽입과 제거를 쉽게 해주고 클램핑을 잘못(사선으로) 하는 것을 방지함.

재질

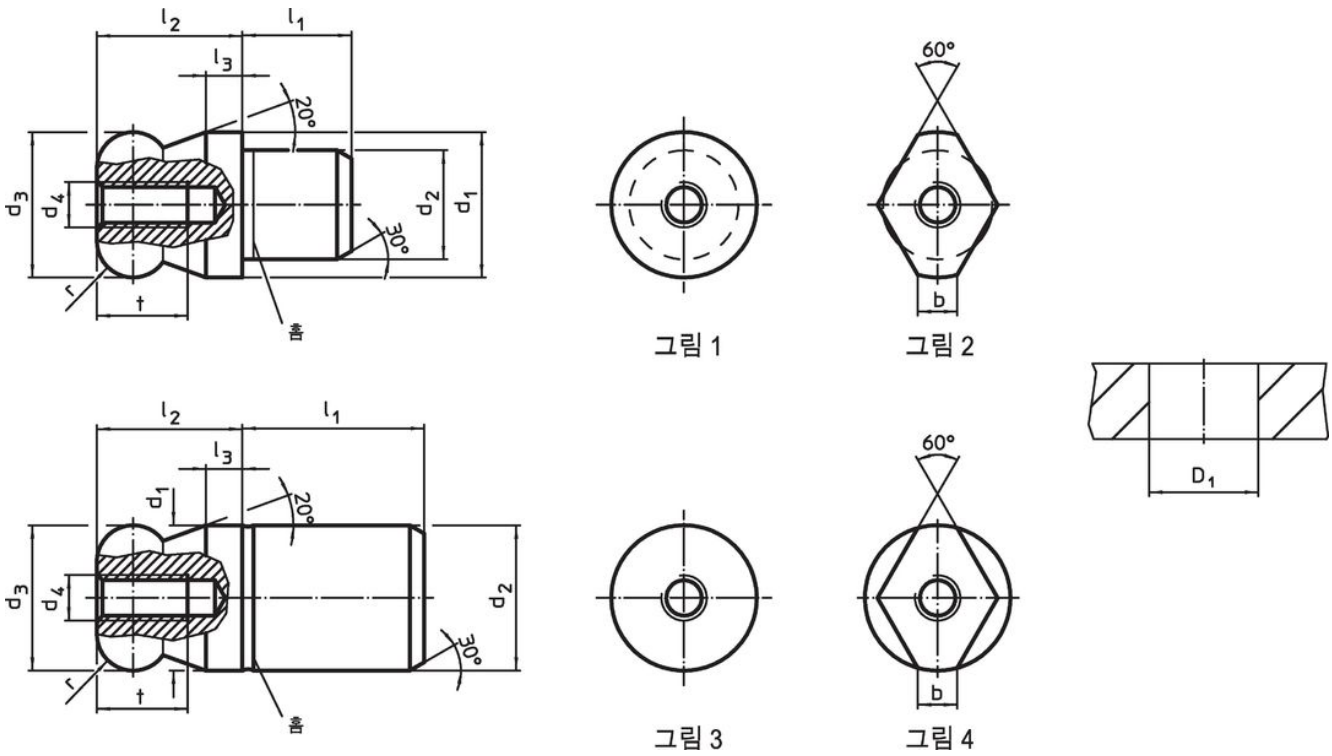
- 공구강, 경화처리, 흑색처리와 연마처리
- 스테인레스 스틸 1.4305, 연마처리, 표면 열처리

더 많은 정보

추가 제품


- 위치 핀, DIN 6321
- 위치 핀, 홀이 있음 DIN 6321과 유사

그림



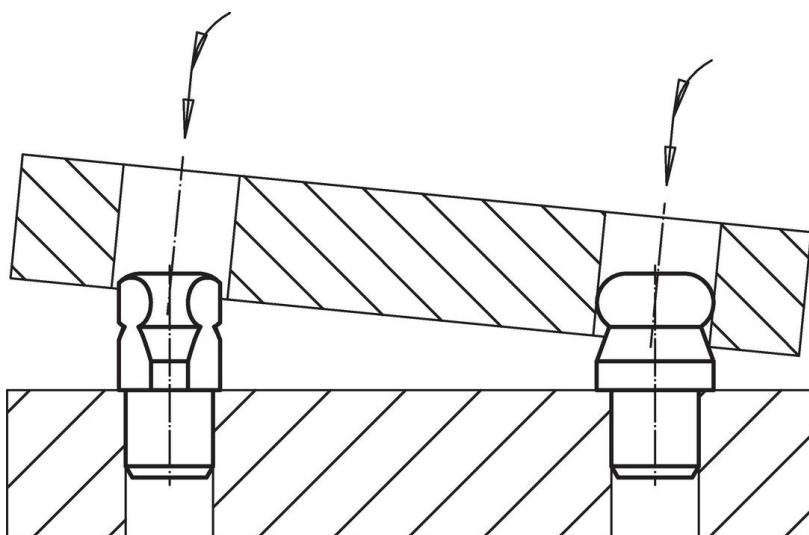
주문 정보

d <sub>1</sub>	d <sub>2</sub>	d <sub>3</sub>	d <sub>4</sub>	l <sub>1</sub>	l <sub>2</sub>	l <sub>3</sub>	t	r	b	위치 홀 D <sub>1</sub> H7	제품 번호.	
g6	n6	-0,01 -0,05										
[mm]											[g]	
볼 타입 평평한 타입 - 그림 1, 공구강												
6	4	6	M2,5	4	6	2,0	4,5	1,0	-	4	1,8	22630.0306
8	6	8	M3	6	8	2,0	6,0	2,0	-	6	3,9	22630.0308
10	7	10	M3	7	10	2,5	6,0	2,5	-	7	6,7	22630.0310
12	8	12	M4	8	12	3,0	8,0	3,0	-	8	11,0	22630.0312
14	10	14	M4	10	14	3,5	8,0	3,5	-	10	20,0	22630.0314
16	12	16	M5	12	16	4,0	10,0	4,0	-	12	31,0	22630.0316
20	14	20	M5	14	20	5,0	10,0	5,0	-	14	58,0	22630.0320
22	16	22	M5	16	22	5,5	10,0	5,5	-	16	81,0	22630.0322
25	18	25	M5	18	25	6,0	10,0	6,0	-	18	118,0	22630.0325

d <sub>1</sub> g6	d <sub>2</sub> n6	d <sub>3</sub> -0,01 -0,05	d <sub>4</sub>	치수						r	b	위치 홀 D <sub>1</sub> H7		제품 번호
				l <sub>1</sub>	l <sub>2</sub>	l <sub>3</sub>	t	[mm]						
<b>볼 타입 평평한 타입 - 그림 1, 스테인리스 스틸</b>														
6	4	6	M2,5	4	6	2,0	4,5	1,0	-	-	4	1,8	22630.0346	
8	6	8	M3	6	8	2,0	6,0	2,0	-	-	6	4,0	22630.0348	
10	7	10	M3	7	10	2,5	6,0	2,5	-	-	7	6,7	22630.0350	
12	8	12	M4	8	12	3,0	8,0	3,0	-	-	8	11,0	22630.0352	
14	10	14	M4	10	14	3,5	8,0	3,5	-	-	10	20,0	22630.0354	
16	12	16	M5	12	16	4,0	10,0	4,0	-	-	12	31,0	22630.0356	
20	14	20	M5	14	20	5,0	10,0	5,0	-	-	14	58,0	22630.0360	
<b>볼 타입 납작한 타입 - 그림 2, 공구강</b>														
6	4	6	M2,5	4	6	2,0	4,5	1,0	1,70	4	1,5	22630.0406		
8	6	8	M3	6	8	2,0	6,0	2,0	2,00	6	3,2	22630.0408		
10	7	10	M3	7	10	2,5	6,0	2,5	2,50	7	5,3	22630.0410		
12	8	12	M4	8	12	3,0	8,0	3,0	2,50	8	8,0	22630.0412		
14	10	14	M4	10	14	3,5	8,0	3,5	3,76	10	16,0	22630.0414		
16	12	16	M5	12	16	4,0	10,0	4,0	4,30	12	25,0	22630.0416		
20	14	20	M5	14	20	5,0	10,0	5,0	5,00	14	46,0	22630.0420		
22	16	22	M5	16	22	5,5	10,0	5,5	5,00	16	63,0	22630.0422		
25	18	25	M5	18	25	6,0	10,0	6,0	5,60	18	92,0	22630.0425		
<b>볼 타입 납작한 타입 - 그림 2, 스테인리스 스틸</b>														
6	4	6	M2,5	4	6	2,0	4,5	1,0	1,70	4	1,5	22630.0446		
8	6	8	M3	6	8	2,0	6,0	2,0	2,00	6	3,2	22630.0448		
10	7	10	M3	7	10	2,5	6,0	2,5	2,50	7	5,3	22630.0450		
12	8	12	M4	8	12	3,0	8,0	3,0	2,50	8	8,0	22630.0452		
14	10	14	M4	10	14	3,5	8,0	3,5	3,76	10	16,0	22630.0454		
16	12	16	M5	12	16	4,0	10,0	4,0	4,30	12	25,0	22630.0456		
20	14	20	M5	14	20	5,0	10,0	5,0	5,00	14	46,0	22630.0460		
<b>편평한 볼, 단차 없음 - 그림 3, 공구강</b>														
5	5	5	M2,5	6	5	2,0	4,5	1,0	-	5	2,4	22630.0505		
6	6	6	M3	8	6	2,0	5,0	1,0	-	6	2,9	22630.0506		
8	8	8	M3	10	8	2,0	6,0	2,0	-	8	6,0	22630.0508		
10	10	10	M3	13	10	2,5	6,0	2,5	-	10	12,0	22630.0510		
12	12	12	M4	15	12	3,0	8,0	3,0	-	12	21,0	22630.0512		
14	14	14	M4	17	14	3,5	8,0	3,5	-	14	34,0	22630.0514		
16	16	16	M5	20	16	4,0	10,0	4,0	-	16	51,0	22630.0516		
20	20	20	M5	25	20	5,0	10,0	5,0	-	20	101,0	22630.0520		
25	25	25	M5	25	25	6,0	10,0	6,0	-	25	176,0	22630.0525		
30	30	30	M6	30	30	8,0	12,0	8,0	-	30	307,0	22630.0530		
40	40	40	M6	40	40	10,0	12,0	10,0	-	40	729,0	22630.0540		
50	50	50	M6	50	50	12,0	12,0	12,0	-	50	1422,0	22630.0550		
<b>편평한 볼, 단차 없음 - 그림 3, 스테인리스 스틸</b>														
5	5	5	M2,5	6	5	2,0	4,5	1,0	-	5	1,8	22630.0565		
6	6	6	M3	8	6	2,0	5,0	1,0	-	6	3,4	22630.0566		
8	8	8	M3	10	8	2,0	6,0	2,0	-	8	6,0	22630.0568		
10	10	10	M3	13	10	2,5	6,0	2,5	-	10	12,0	22630.0570		
12	12	12	M4	15	12	3,0	8,0	3,0	-	12	21,0	22630.0572		
14	14	14	M4	17	14	3,5	8,0	3,5	-	14	34,0	22630.0574		
16	16	16	M5	20	16	4,0	10,0	4,0	-	16	51,0	22630.0576		
20	20	20	M5	25	20	5,0	10,0	5,0	-	20	101,0	22630.0580		
<b>편평한 볼, 단차 없음 - 그림 4, 공구강</b>														
5	5	5	M2,5	6	5	2,0	4,5	1,0	1,50	5	1,2	22630.0605		
6	6	6	M3	8	6	2,0	5,0	1,0	1,80	6	3,1	22630.0606		
8	8	8	M3	10	8	2,0	6,0	2,0	1,90	8	5,0	22630.0608		
10	10	10	M3	13	10	2,5	6,0	2,5	2,50	10	11,0	22630.0610		
12	12	12	M4	15	12	3,0	8,0	3,0	2,50	12	17,0	22630.0612		
14	14	14	M4	17	14	3,5	8,0	3,5	3,90	14	30,0	22630.0614		
16	16	16	M5	20	16	4,0	10,0	4,0	4,30	16	44,0	22630.0616		
20	20	20	M5	25	20	5,0	10,0	5,0	5,00	20	88,0	22630.0620		

d <sub>1</sub> g6	d <sub>2</sub> n6	d <sub>3</sub> -0,01 -0,05	d <sub>4</sub>	치수						위치 홀 D <sub>1</sub> H7	[g]	제품 번호
				l <sub>1</sub>	l <sub>2</sub>	l <sub>3</sub>	t	r	b			
[mm]										[mm]	[g]	
25	25	25	M5	25	25	6,0	10,0	6,0	5,60	25	149,0	22630.0625
30	30	30	M6	30	30	8,0	12,0	8,0	8,80	30	270,0	22630.0630
40	40	40	M6	40	40	10,0	12,0	10,0	12,80	40	657,0	22630.0640
50	50	50	M6	50	50	12,0	12,0	12,0	16,70	50	1243,0	22630.0650
편평한 볼, 단차 없음 - 그림 4, 스테인리스 스틸												
5	5	5	M2,5	6	5	2,0	4,5	1,0	1,50	5	1,1	22630.0665
6	6	6	M3	8	6	2,0	5,0	1,0	1,80	6	2,3	22630.0666
8	8	8	M3	10	8	2,0	6,0	2,0	1,90	8	5,0	22630.0668
10	10	10	M3	13	10	2,5	6,0	2,5	2,50	10	11,0	22630.0670
12	12	12	M4	15	12	3,0	8,0	3,0	2,50	12	17,0	22630.0672
14	14	14	M4	17	14	3,5	8,0	3,5	3,90	14	30,0	22630.0674
16	16	16	M5	20	16	4,0	10,0	4,0	4,30	16	44,0	22630.0676
20	20	20	M5	25	20	5,0	10,0	5,0	5,00	20	88,0	22630.0680

### 적용 예



### 규정 준수

#### RoHS 준수

지침 2011/65/EU 및 지침 2015/863 준수

#### SVHC 재질을 미포함

0.1% w/w 이상 함유된 SVHC 물질 없음 - 2024년 1월 23일 SVHC 목록.

#### 식수안전 및 독성물질 관리법 물질을 포함하지 않음

식수안전 및 독성물질 관리법 물질들이 포함되어 있지 않음

<https://www.P65Warnings.ca.gov/>

#### 분쟁 광물 포함하지 않음

이 제품은 탄탈륨, 주석, 금 또는 텅스텐 등 민주 공화국 또는 인접 국가에서 "분쟁 광물"로 지정된 물질을 포함하지 않습니다.