

ゴム・バッファー・円錐台形状

EH 25150.



製品説明

弾性のある突き当て、サポート、足などとして使用できます。
硬度は55±5°ショアA。特注で他の硬度もできます(40±5°ショアAおよび70±5°ショアA)。

材質

ワッシャー

- ・ スティール、亜鉛メッキ、不活性化処理
- ・ ステンレス鋼 1.4301 (SUS304相当)

ネジ付ブッシュ

- ・ スティール、亜鉛メッキ、不活性化処理
- ・ ステンレス鋼 1.4301 (SUS304相当)

本体

- ・ NBR

ねじ

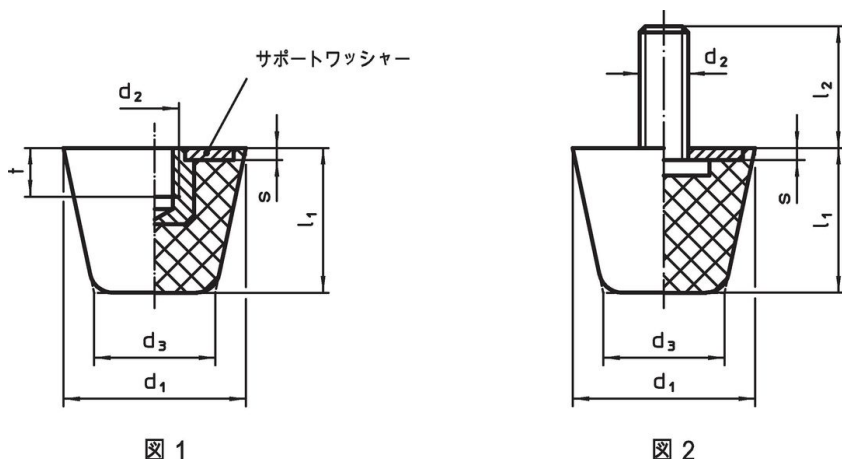
- ・ スティール、亜鉛メッキ、不活性化処理
- ・ ステンレス鋼 1.4301 (SUS304相当)

更なる情報

その他の製品

- ・ サポート脚, 衝撃緩和機能
- ・ シリコン製ストッパー用バッファー, 円錐台形状

寸法図



発注情報

| d ₁ | d ₂ | l ₂ | 寸法 | | | | バネ定数 R 約 | 耐荷重 max. | ストローク 約 | 温度 | | 質量 | 製品番号 | | | | | | |
|---------------------------|----------------|----------------|----------------|----------------|---|--------|-------------|-------------|------------|------|------|------|------------|--------|-----|------|------|-----|--|
| | | | d ₃ | l ₁ | s | t 約 | | | | min. | max. | | | | | | | | |
| | | | | | | | | | | | | | [mm] | [N/mm] | [N] | [mm] | [°C] | [g] | |
| メネジ付 - 図 1, 鋼 | | | | | | | | | | | | | | | | | | | |
| 19 | M 5 | - | 12,0 | 16,0 | 2 | 5 | 28 | 110 | 4,00 | -30 | 80 | 7,0 | 25150.0719 | | | | | | |
| 25 | M 6 | - | 16,5 | 20,5 | 2 | 6 | 82 | 430 | 5,25 | -30 | 80 | 14,0 | 25150.0725 | | | | | | |
| 32 | M 8 | - | 21,0 | 26,0 | 2 | 8 | 140 | 910 | 6,50 | -30 | 80 | 27,0 | 25150.0732 | | | | | | |
| 38 | M 8 | - | 24,5 | 32,0 | 2 | 8 | 125 | 1200 | 9,50 | -30 | 80 | 43,0 | 25150.0738 | | | | | | |
| 50 | M10 | - | 32,0 | 43,0 | 2 | 10 | 155 | 1620 | 10,50 | -30 | 80 | 93,0 | 25150.0750 | | | | | | |
| メネジ付 - 図 1, ステンレス鋼 | | | | | | | | | | | | | | | | | | | |
| 19 | M 5 | - | 12,0 | 16,0 | 2 | 5 | 28 | 110 | 4,00 | -30 | 80 | 7,0 | 25150.0919 | | | | | | |
| 25 | M 6 | - | 16,5 | 20,5 | 2 | 6 | 82 | 430 | 5,25 | -30 | 80 | 14,0 | 25150.0925 | | | | | | |
| 32 | M 8 | - | 21,0 | 26,0 | 2 | 8 | 140 | 910 | 6,50 | -30 | 80 | 27,0 | 25150.0932 | | | | | | |
| 38 | M 8 | - | 24,5 | 32,0 | 2 | 8 | 125 | 1200 | 9,50 | -30 | 80 | 43,0 | 25150.0938 | | | | | | |
| 50 | M10 | - | 32,0 | 43,0 | 2 | 10 | 155 | 1620 | 10,50 | -30 | 80 | 93,0 | 25150.0950 | | | | | | |
| オネジ付 - 図 2, 鋼 | | | | | | | | | | | | | | | | | | | |
| 19 | M 5 | 6 | 12,0 | 16,0 | 2 | - | 28 | 110 | 4,00 | -30 | 80 | 8,0 | 25150.0819 | | | | | | |
| 19 | M 5 | 10 | 12,0 | 16,0 | 2 | - | 28 | 110 | 4,00 | -30 | 80 | 6,1 | 25150.0820 | | | | | | |
| 19 | M 5 | 20 | 12,0 | 16,0 | 2 | - | 28 | 110 | 4,00 | -30 | 80 | 8,7 | 25150.0821 | | | | | | |
| 25 | M 6 | 8 | 16,5 | 20,5 | 2 | - | 82 | 430 | 5,25 | -30 | 80 | 16,0 | 25150.0825 | | | | | | |
| 25 | M 6 | 12 | 16,5 | 20,5 | 2 | - | 82 | 430 | 5,25 | -30 | 80 | 17,0 | 25150.0826 | | | | | | |

| d ₁ | d ₂ | l ₂ | 寸法 | | | | t 約 | バネ定数 R 約 | 耐荷重 max. | ストローク 約 |  min. max. | |  [g] | 製品番号 |
|--------------------|----------------|----------------|----------------|----------------|---|------|--------|-------------|-------------|------------|--|-------|--|------|
| | | | d ₃ | l ₁ | s | [mm] | | | | | [N/mm] | [N] | | |
| 25 | M 6 | 25 | 16,5 | 20,5 | 2 | - | 82 | 430 | 5,25 | -30 | 80 | 19,0 | 25150.0827 | |
| 32 | M 8 | 10 | 21,0 | 26,0 | 2 | - | 140 | 910 | 6,50 | -30 | 80 | 30,0 | 25150.0832 | |
| 32 | M 8 | 16 | 21,0 | 26,0 | 2 | - | 140 | 910 | 6,50 | -30 | 80 | 32,0 | 25150.0833 | |
| 32 | M 8 | 30 | 21,0 | 26,0 | 2 | - | 140 | 910 | 6,50 | -30 | 80 | 36,0 | 25150.0834 | |
| 38 | M 8 | 10 | 24,5 | 32,0 | 2 | - | 125 | 1200 | 9,50 | -30 | 80 | 47,0 | 25150.0838 | |
| 38 | M 8 | 16 | 24,5 | 32,0 | 2 | - | 125 | 1200 | 9,50 | -30 | 80 | 48,0 | 25150.0839 | |
| 38 | M 8 | 30 | 24,5 | 32,0 | 2 | - | 125 | 1200 | 9,50 | -30 | 80 | 52,0 | 25150.0840 | |
| 50 | M10 | 12 | 32,0 | 43,0 | 2 | - | 155 | 1620 | 10,50 | -30 | 80 | 101,0 | 25150.0850 | |
| 50 | M10 | 20 | 32,0 | 43,0 | 2 | - | 155 | 1620 | 10,50 | -30 | 80 | 104,0 | 25150.0851 | |
| 50 | M10 | 40 | 32,0 | 43,0 | 2 | - | 155 | 1620 | 10,50 | -30 | 80 | 112,0 | 25150.0852 | |
| オネジ付 - 図 2, ステンレス鋼 | | | | | | | | | | | | | | |
| 19 | M 5 | 6 | 12,0 | 16,0 | 2 | - | 28 | 110 | 4,00 | -30 | 80 | 8,0 | 25150.1019 | |
| 19 | M 5 | 10 | 12,0 | 16,0 | 2 | - | 28 | 110 | 4,00 | -30 | 80 | 6,1 | 25150.1020 | |
| 19 | M 5 | 20 | 12,0 | 16,0 | 2 | - | 28 | 110 | 4,00 | -30 | 80 | 8,7 | 25150.1021 | |
| 25 | M 6 | 8 | 16,5 | 20,5 | 2 | - | 82 | 430 | 5,25 | -30 | 80 | 16,0 | 25150.1025 | |
| 25 | M 6 | 12 | 16,5 | 20,5 | 2 | - | 82 | 430 | 5,25 | -30 | 80 | 17,0 | 25150.1026 | |
| 25 | M 6 | 25 | 16,5 | 20,5 | 2 | - | 82 | 430 | 5,25 | -30 | 80 | 19,0 | 25150.1027 | |
| 32 | M 8 | 10 | 21,0 | 26,0 | 2 | - | 140 | 910 | 6,50 | -30 | 80 | 30,0 | 25150.1032 | |
| 32 | M 8 | 16 | 21,0 | 26,0 | 2 | - | 140 | 910 | 6,50 | -30 | 80 | 32,0 | 25150.1033 | |
| 32 | M 8 | 30 | 21,0 | 26,0 | 2 | - | 140 | 910 | 6,50 | -30 | 80 | 36,0 | 25150.1034 | |
| 38 | M 8 | 10 | 24,5 | 32,0 | 2 | - | 125 | 1200 | 9,50 | -30 | 80 | 47,0 | 25150.1038 | |
| 38 | M 8 | 16 | 24,5 | 32,0 | 2 | - | 125 | 1200 | 9,50 | -30 | 80 | 48,0 | 25150.1039 | |
| 38 | M 8 | 30 | 24,5 | 32,0 | 2 | - | 125 | 1200 | 9,50 | -30 | 80 | 52,0 | 25150.1040 | |
| 50 | M10 | 12 | 32,0 | 43,0 | 2 | - | 155 | 1620 | 10,50 | -30 | 80 | 101,0 | 25150.1050 | |
| 50 | M10 | 20 | 32,0 | 43,0 | 2 | - | 155 | 1620 | 10,50 | -30 | 80 | 104,0 | 25150.1051 | |
| 50 | M10 | 40 | 32,0 | 43,0 | 2 | - | 155 | 1620 | 10,50 | -30 | 80 | 112,0 | 25150.1052 | |

法令(コンプライアンス)

詳細の法令情報については、目的の製品番号を選択してください。