

ロングヘッド・ナールドボルト・DIN 464 EH 24790.



製品説明

削り出しの一体品です。工業規格品と異なり、ネジ外径は首下まで加工してありますが、ネジ部の終わりに逃げ加工はありません

材質

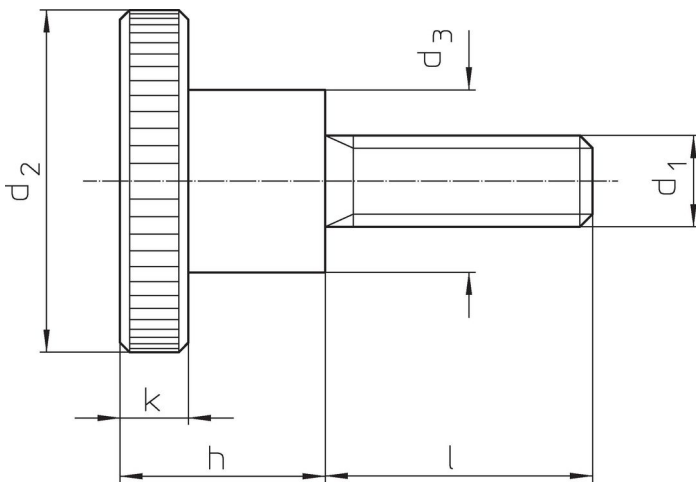
- スチール、黒染、強度クラス 5.8
- Steel, zinc-plated by galvanization, quality 5.8
- ステンレス鋼 1.4305 (SUS303相当)、サンドブラスト

更なる情報

備考

ナールド部のピッチと深さは、DIN規格と異なります。

寸法図



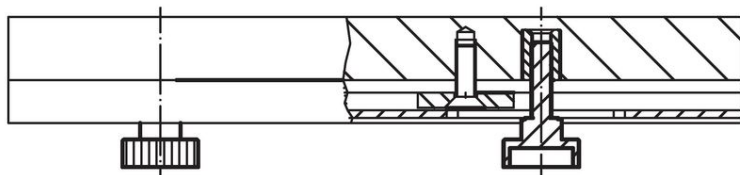
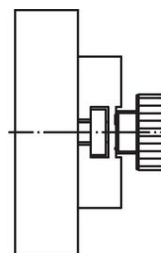
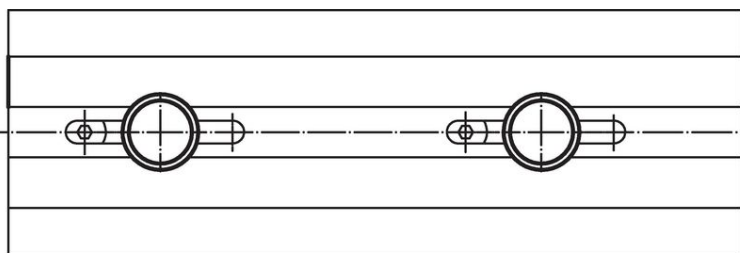
発注情報

d ₁	l	d ₂	寸法			[g]	製品番号
			d ₃	h	k		
[mm]							
スチール、黒染、強度クラス 5.8							
M 3	6	12	6	7,5	2,5	3,7	24790.0074
M 3	10	12	6	7,5	2,5	3,8	24790.0076
M 3	12	12	6	7,5	2,5	4,0	24790.0077
M 3	16	12	6	7,5	2,5	4,0	24790.0079
M 3	20	12	6	7,5	2,5	4,5	24790.0081
M 4	5	16	8	9,5	3,5	7,7	24790.0092
M 4	8	16	8	9,5	3,5	8,0	24790.0094
M 4	10	16	8	9,5	3,5	8,1	24790.0095
M 4	12	16	8	9,5	3,5	8,6	24790.0096
M 4	16	16	8	9,5	3,5	8,4	24790.0098
M 4	20	16	8	9,5	3,5	9,1	24790.0100
M 4	25	16	8	9,5	3,5	9,0	24790.0102
M 5	6	20	10	11,5	4,0	14,0	24790.0112
M 5	8	20	10	11,5	4,0	15,0	24790.0113
M 5	10	20	10	11,5	4,0	15,0	24790.0114
M 5	12	20	10	11,5	4,0	15,0	24790.0115
M 5	16	20	10	11,5	4,0	16,0	24790.0117
M 5	20	20	10	11,5	4,0	16,0	24790.0119
M 5	25	20	10	11,5	4,0	17,0	24790.0121
M 5	30	20	10	11,5	4,0	17,0	24790.0123
M 6	8	24	12	15,0	5,0	28,0	24790.0132
M 6	10	24	12	15,0	5,0	27,0	24790.0133

d ₁	l	d ₂	寸法			重量 [g]	製品番号
			d ₃ [mm]	h	k		
M 6	12	24	12	15,0	5,0	28,0	24790.0134
M 6	16	24	12	15,0	5,0	28,0	24790.0136
M 6	20	24	12	15,0	5,0	29,0	24790.0138
M 6	25	24	12	15,0	5,0	30,0	24790.0140
M 6	30	24	12	15,0	5,0	31,0	24790.0142
M 6	35	24	12	15,0	5,0	31,0	24790.0144
M 8	12	30	16	18,0	6,0	53,0	24790.0152
M 8	16	30	16	18,0	6,0	55,0	24790.0154
M 8	20	30	16	18,0	6,0	56,0	24790.0156
M 8	25	30	16	18,0	6,0	58,0	24790.0158
M 8	30	30	16	18,0	6,0	60,0	24790.0160
M 8	35	30	16	18,0	6,0	62,0	24790.0162
M 8	40	30	16	18,0	6,0	61,0	24790.0164
M10	15	36	20	23,0	8,0	104,0	24790.0171
M10	20	36	20	23,0	8,0	106,0	24790.0173
M10	25	36	20	23,0	8,0	109,0	24790.0175
M10	30	36	20	23,0	8,0	112,0	24790.0177
M10	35	36	20	23,0	8,0	116,0	24790.0179
M10	40	36	20	23,0	8,0	116,0	24790.0181
スチール、亜鉛めっき							
M 3	6	12	6	7,5	2,5	4,0	24790.0474
M 3	8	12	6	7,5	2,5	4,0	24790.0475
M 3	10	12	6	7,5	2,5	4,0	24790.0476
M 3	12	12	6	7,5	2,5	4,0	24790.0477
M 3	16	12	6	7,5	2,5	5,0	24790.0479
M 3	20	12	6	7,5	2,5	5,0	24790.0481
M 4	5	16	8	9,5	3,5	9,0	24790.0492
M 4	8	16	8	9,5	3,5	8,0	24790.0494
M 4	10	16	8	9,5	3,5	8,0	24790.0495
M 4	12	16	8	9,5	3,5	8,0	24790.0496
M 4	16	16	8	9,5	3,5	8,0	24790.0498
M 4	20	16	8	9,5	3,5	9,0	24790.0500
M 4	25	16	8	9,5	3,5	9,0	24790.0502
M 5	6	20	10	11,5	4,0	15,0	24790.0512
M 5	8	20	10	11,5	4,0	15,0	24790.0513
M 5	10	20	10	11,5	4,0	15,0	24790.0514
M 5	12	20	10	11,5	4,0	14,0	24790.0515
M 5	16	20	10	11,5	4,0	15,0	24790.0517
M 5	20	20	10	11,5	4,0	16,0	24790.0519
M 5	25	20	10	11,5	4,0	16,0	24790.0521
M 5	30	20	10	11,5	4,0	17,0	24790.0523
M 6	8	24	12	15,0	5,0	27,0	24790.0532
M 6	10	24	12	15,0	5,0	27,0	24790.0533
M 6	12	24	12	15,0	5,0	27,0	24790.0534
M 6	16	24	12	15,0	5,0	28,0	24790.0536
M 6	20	24	12	15,0	5,0	29,0	24790.0538
M 6	25	24	12	15,0	5,0	28,0	24790.0540
M 6	30	24	12	15,0	5,0	30,0	24790.0542
M 6	35	24	12	15,0	5,0	31,0	24790.0544
M 8	12	30	16	18,0	6,0	55,0	24790.0552
M 8	16	30	16	18,0	6,0	55,0	24790.0554
M 8	20	30	16	18,0	6,0	56,0	24790.0556
M 8	25	30	16	18,0	6,0	58,0	24790.0558
M 8	30	30	16	18,0	6,0	50,0	24790.0560
M 8	35	30	16	18,0	6,0	63,0	24790.0562
M 8	40	30	16	18,0	6,0	62,0	24790.0564
M10	12	36	20	23,0	8,0	105,0	24790.0570
M10	15	36	20	23,0	8,0	106,0	24790.0571
M10	20	36	20	23,0	8,0	107,0	24790.0573

d ₁	l	d ₂	寸法			[g]	製品番号
			d ₃	h	k		
			[mm]				
M10	25	36	20	23,0	8,0	110,0	24790.0575
M10	30	36	20	23,0	8,0	112,0	24790.0577
M10	35	36	20	23,0	8,0	115,0	24790.0579
M10	40	36	20	23,0	8,0	116,0	24790.0581
ステンレス鋼 1.4305 (SUS303相当)							
M 3	6	12	6	7,5	2,5	3,7	24790.0274
M 3	10	12	6	7,5	2,5	3,8	24790.0276
M 3	12	12	6	7,5	2,5	4,0	24790.0277
M 3	16	12	6	7,5	2,5	4,0	24790.0279
M 4	8	16	8	9,5	3,5	8,0	24790.0294
M 4	10	16	8	9,5	3,5	8,1	24790.0295
M 4	12	16	8	9,5	3,5	8,6	24790.0296
M 4	16	16	8	9,5	3,5	8,4	24790.0298
M 4	20	16	8	9,5	3,5	9,1	24790.0300
M 4	25	16	8	9,5	3,5	9,0	24790.0302
M 5	10	20	10	11,5	4,0	15,0	24790.0314
M 5	12	20	10	11,5	4,0	15,0	24790.0315
M 5	16	20	10	11,5	4,0	16,0	24790.0317
M 5	20	20	10	11,5	4,0	16,0	24790.0319
M 5	25	20	10	11,5	4,0	17,0	24790.0321
M 5	30	20	10	11,5	4,0	17,0	24790.0323
M 6	12	24	12	15,0	5,0	28,0	24790.0334
M 6	16	24	12	15,0	5,0	28,0	24790.0336
M 6	20	24	12	15,0	5,0	29,0	24790.0338
M 6	25	24	12	15,0	5,0	30,0	24790.0340
M 6	30	24	12	15,0	5,0	31,0	24790.0342
M 6	35	24	12	15,0	5,0	31,0	24790.0344
M 8	16	30	16	18,0	6,0	55,0	24790.0354
M 8	20	30	16	18,0	6,0	56,0	24790.0356
M 8	25	30	16	18,0	6,0	58,0	24790.0358
M 8	30	30	16	18,0	6,0	60,0	24790.0360
M 8	35	30	16	18,0	6,0	62,0	24790.0362

応用例



法令(コンプライアンス)

詳細の法令情報については、目的の製品番号を選択してください。