

スターグリップ、オネジ付・プラスチック

EH 24750.



製品説明

材質

- カバー
- PA 黒 (RAL 9005相当)
 - PA 白 (RAL 9019相当)
 - PA オレンジ (RAL 2004相当)
 - PA 黄 (RAL 1016相当)
 - PA 青 (RAL 5015相当)

- グリップ
- PA6 黒 (RAL 9005相当)

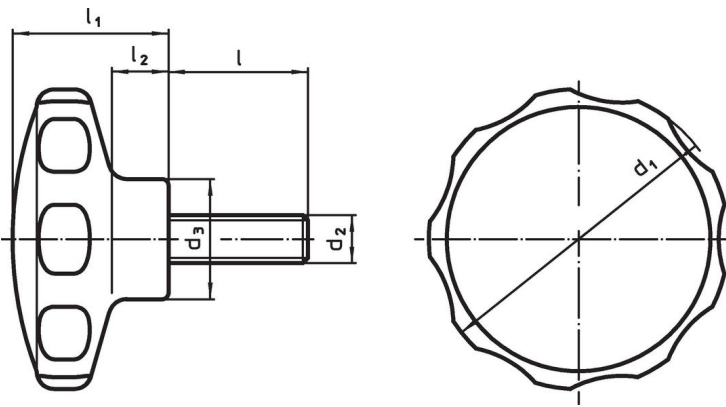
- ねじ
- ステンレス鋼

更なる情報

備考

特殊ネジやネジ長の異なるものなどの特別仕様についてはお問い合わせください。

寸法図



発注情報

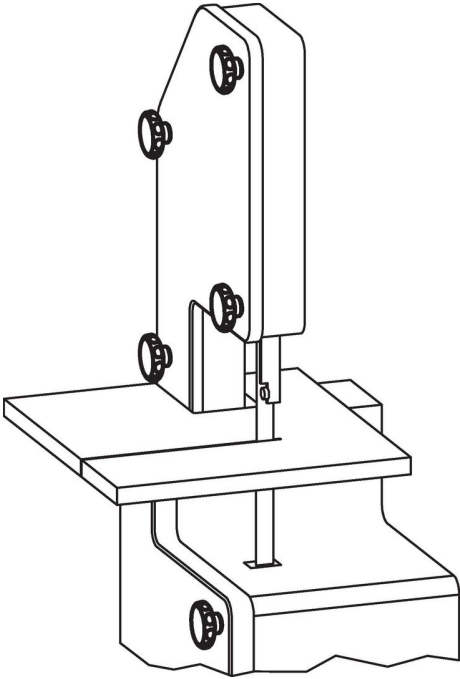
d ₁		d ₂		寸法		min. max.		[g]	製品番号
[mm]		[mm]		[mm]		[°C]			
黒									
30	M 4	10	14,0	19	7	-30	80	6,1	24750.0100
30	M 4	14	14,0	19	7	-30	80	6,6	24750.0110
30	M 4	18	14,0	19	7	-30	80	6,9	24750.0120
30	M 4	23	14,0	19	7	-30	80	7,3	24750.0130
30	M 4	28	14,0	19	7	-30	80	7,7	24750.0140
30	M 5	10	14,0	19	7	-30	80	7,5	24750.0150
30	M 5	14	14,0	19	7	-30	80	7,9	24750.0160
30	M 5	18	14,0	19	7	-30	80	8,4	24750.0170
30	M 5	23	14,0	19	7	-30	80	9,0	24750.0180
30	M 5	28	14,0	19	7	-30	80	9,0	24750.0190
40	M 5	10	16,5	22	9	-30	80	9,6	24750.0200
40	M 5	14	16,5	22	9	-30	80	10,0	24750.0210
40	M 5	18	16,5	22	9	-30	80	11,0	24750.0220
40	M 5	23	16,5	22	9	-30	80	12,0	24750.0230
40	M 5	28	16,5	22	9	-30	80	12,0	24750.0240
40	M 6	14	16,5	22	9	-30	80	12,0	24750.0250
40	M 6	18	16,5	22	9	-30	80	13,0	24750.0260
40	M 6	23	16,5	22	9	-30	80	14,0	24750.0270
40	M 6	28	16,5	22	9	-30	80	15,0	24750.0280
40	M 6	38	16,5	22	9	-30	80	16,0	24750.0290
50	M 6	14	22,0	26	10	-30	80	19,0	24750.0300
50	M 6	18	22,0	26	10	-30	80	19,0	24750.0310
50	M 6	23	22,0	26	10	-30	80	20,0	24750.0320

寸法						温度		質量 [g]	製品番号
d ₁	d ₂	l [mm]	d ₃	l ₁	l ₂	min.	max.		
50	M 6	28	22,0	26	10	-30	80	21,0	24750.0330
50	M 6	38	22,0	26	10	-30	80	23,0	24750.0340
50	M 8	18	22,0	26	10	-30	80	26,0	24750.0350
50	M 8	23	22,0	26	10	-30	80	27,0	24750.0360
50	M 8	28	22,0	26	10	-30	80	29,0	24750.0370
50	M 8	38	22,0	26	10	-30	80	32,0	24750.0380
50	M 8	48	22,0	26	10	-30	80	35,0	24750.0390
62	M 8	18	22,0	35	13	-30	80	40,0	24750.0400
62	M 8	23	22,0	35	13	-30	80	41,0	24750.0410
62	M 8	28	22,0	35	13	-30	80	43,0	24750.0420
62	M 8	38	22,0	35	13	-30	80	46,0	24750.0430
62	M 8	48	22,0	35	13	-30	80	49,0	24750.0440
62	M10	23	22,0	35	13	-30	80	51,0	24750.0450
62	M10	28	22,0	35	13	-30	80	54,0	24750.0460
62	M10	38	22,0	35	13	-30	80	59,0	24750.0470
62	M10	48	22,0	35	13	-30	80	64,0	24750.0480
62	M10	58	22,0	35	13	-30	80	69,0	24750.0490
白									
30	M 4	10	14,0	19	7	-30	80	6,1	24750.0101
30	M 4	14	14,0	19	7	-30	80	6,6	24750.0111
30	M 4	18	14,0	19	7	-30	80	6,9	24750.0121
30	M 4	23	14,0	19	7	-30	80	7,3	24750.0131
30	M 4	28	14,0	19	7	-30	80	7,7	24750.0141
30	M 5	10	14,0	19	7	-30	80	7,5	24750.0151
30	M 5	14	14,0	19	7	-30	80	7,9	24750.0161
30	M 5	18	14,0	19	7	-30	80	8,4	24750.0171
30	M 5	23	14,0	19	7	-30	80	9,0	24750.0181
30	M 5	28	14,0	19	7	-30	80	9,0	24750.0191
40	M 5	10	16,5	22	9	-30	80	9,6	24750.0201
40	M 5	14	16,5	22	9	-30	80	10,0	24750.0211
40	M 5	18	16,5	22	9	-30	80	11,0	24750.0221
40	M 5	23	16,5	22	9	-30	80	12,0	24750.0231
40	M 5	28	16,5	22	9	-30	80	12,0	24750.0241
40	M 6	14	16,5	22	9	-30	80	12,0	24750.0251
40	M 6	18	16,5	22	9	-30	80	13,0	24750.0261
40	M 6	23	16,5	22	9	-30	80	14,0	24750.0271
40	M 6	28	16,5	22	9	-30	80	15,0	24750.0281
40	M 6	38	16,5	22	9	-30	80	16,0	24750.0291
50	M 6	14	22,0	26	10	-30	80	19,0	24750.0301
50	M 6	18	22,0	26	10	-30	80	19,0	24750.0311
50	M 6	23	22,0	26	10	-30	80	20,0	24750.0321
50	M 6	28	22,0	26	10	-30	80	21,0	24750.0331
50	M 6	38	22,0	26	10	-30	80	23,0	24750.0341
50	M 8	18	22,0	26	10	-30	80	26,0	24750.0351
50	M 8	23	22,0	26	10	-30	80	27,0	24750.0361
50	M 8	28	22,0	26	10	-30	80	29,0	24750.0371
50	M 8	38	22,0	26	10	-30	80	32,0	24750.0381
50	M 8	48	22,0	26	10	-30	80	35,0	24750.0391
62	M 8	18	22,0	35	13	-30	80	40,0	24750.0401
62	M 8	23	22,0	35	13	-30	80	41,0	24750.0411
62	M 8	28	22,0	35	13	-30	80	43,0	24750.0421
62	M 8	38	22,0	35	13	-30	80	46,0	24750.0431
62	M 8	48	22,0	35	13	-30	80	49,0	24750.0441
62	M10	23	22,0	35	13	-30	80	51,0	24750.0451
62	M10	28	22,0	35	13	-30	80	54,0	24750.0461
62	M10	38	22,0	35	13	-30	80	59,0	24750.0471
62	M10	48	22,0	35	13	-30	80	64,0	24750.0481
62	M10	58	22,0	35	13	-30	80	69,0	24750.0491
オレンジ									
30	M 4	10	14,0	19	7	-30	80	6,1	24750.0102
30	M 4	14	14,0	19	7	-30	80	6,6	24750.0112
30	M 4	18	14,0	19	7	-30	80	6,9	24750.0122

d ₁	d ₂	寸法				l ₁	l ₂	温度		質量 [g]	製品番号
		l	d ₃	min.	max.						
		[mm]				[°C]					
30	M 4	23	14,0	19	7	-30	80	7,3	24750.0132		
30	M 4	28	14,0	19	7	-30	80	7,7	24750.0142		
30	M 5	10	14,0	19	7	-30	80	7,5	24750.0152		
30	M 5	14	14,0	19	7	-30	80	7,9	24750.0162		
30	M 5	18	14,0	19	7	-30	80	8,4	24750.0172		
30	M 5	23	14,0	19	7	-30	80	9,0	24750.0182		
30	M 5	28	14,0	19	7	-30	80	9,0	24750.0192		
40	M 5	10	16,5	22	9	-30	80	9,6	24750.0202		
40	M 5	14	16,5	22	9	-30	80	10,0	24750.0212		
40	M 5	18	16,5	22	9	-30	80	11,0	24750.0222		
40	M 5	23	16,5	22	9	-30	80	12,0	24750.0232		
40	M 5	28	16,5	22	9	-30	80	12,0	24750.0242		
40	M 6	14	16,5	22	9	-30	80	12,0	24750.0252		
40	M 6	18	16,5	22	9	-30	80	13,0	24750.0262		
40	M 6	23	16,5	22	9	-30	80	14,0	24750.0272		
40	M 6	28	16,5	22	9	-30	80	15,0	24750.0282		
40	M 6	38	16,5	22	9	-30	80	16,0	24750.0292		
50	M 6	14	22,0	26	10	-30	80	19,0	24750.0302		
50	M 6	18	22,0	26	10	-30	80	19,0	24750.0312		
50	M 6	23	22,0	26	10	-30	80	20,0	24750.0322		
50	M 6	28	22,0	26	10	-30	80	21,0	24750.0332		
50	M 6	38	22,0	26	10	-30	80	23,0	24750.0342		
50	M 8	18	22,0	26	10	-30	80	26,0	24750.0352		
50	M 8	23	22,0	26	10	-30	80	27,0	24750.0362		
50	M 8	28	22,0	26	10	-30	80	29,0	24750.0372		
50	M 8	38	22,0	26	10	-30	80	32,0	24750.0382		
50	M 8	48	22,0	26	10	-30	80	35,0	24750.0392		
62	M 8	18	22,0	35	13	-30	80	40,0	24750.0402		
62	M 8	23	22,0	35	13	-30	80	41,0	24750.0412		
62	M 8	28	22,0	35	13	-30	80	43,0	24750.0422		
62	M 8	38	22,0	35	13	-30	80	46,0	24750.0432		
62	M 8	48	22,0	35	13	-30	80	49,0	24750.0442		
62	M10	23	22,0	35	13	-30	80	51,0	24750.0452		
62	M10	28	22,0	35	13	-30	80	54,0	24750.0462		
62	M10	38	22,0	35	13	-30	80	59,0	24750.0472		
62	M10	48	22,0	35	13	-30	80	64,0	24750.0482		
62	M10	58	22,0	35	13	-30	80	69,0	24750.0492		
黄											
30	M 4	10	14,0	19	7	-30	80	6,1	24750.0103		
30	M 4	14	14,0	19	7	-30	80	6,6	24750.0113		
30	M 4	18	14,0	19	7	-30	80	6,9	24750.0123		
30	M 4	23	14,0	19	7	-30	80	7,3	24750.0133		
30	M 4	28	14,0	19	7	-30	80	7,7	24750.0143		
30	M 5	10	14,0	19	7	-30	80	7,5	24750.0153		
30	M 5	14	14,0	19	7	-30	80	7,9	24750.0163		
30	M 5	18	14,0	19	7	-30	80	8,4	24750.0173		
30	M 5	23	14,0	19	7	-30	80	9,0	24750.0183		
30	M 5	28	14,0	19	7	-30	80	9,0	24750.0193		
40	M 5	10	16,5	22	9	-30	80	9,6	24750.0203		
40	M 5	14	16,5	22	9	-30	80	10,0	24750.0213		
40	M 5	18	16,5	22	9	-30	80	11,0	24750.0223		
40	M 5	23	16,5	22	9	-30	80	12,0	24750.0233		
40	M 5	28	16,5	22	9	-30	80	12,0	24750.0243		
40	M 6	14	16,5	22	9	-30	80	12,0	24750.0253		
40	M 6	18	16,5	22	9	-30	80	13,0	24750.0263		
40	M 6	23	16,5	22	9	-30	80	14,0	24750.0273		
40	M 6	28	16,5	22	9	-30	80	15,0	24750.0283		
40	M 6	38	16,5	22	9	-30	80	16,0	24750.0293		
50	M 6	14	22,0	26	10	-30	80	19,0	24750.0303		
50	M 6	18	22,0	26	10	-30	80	19,0	24750.0313		
50	M 6	23	22,0	26	10	-30	80	20,0	24750.0323		
50	M 6	28	22,0	26	10	-30	80	21,0	24750.0333		

寸法						min.	max.	[g]	製品番号
d ₁	d ₂	l	d ₃	l ₁	l ₂				
50	M 6	38	22,0	26	10	-30	80	23,0	24750.0343
50	M 8	18	22,0	26	10	-30	80	26,0	24750.0353
50	M 8	23	22,0	26	10	-30	80	27,0	24750.0363
50	M 8	28	22,0	26	10	-30	80	29,0	24750.0373
50	M 8	38	22,0	26	10	-30	80	32,0	24750.0383
50	M 8	48	22,0	26	10	-30	80	35,0	24750.0393
62	M 8	18	22,0	35	13	-30	80	40,0	24750.0403
62	M 8	23	22,0	35	13	-30	80	41,0	24750.0413
62	M 8	28	22,0	35	13	-30	80	43,0	24750.0423
62	M 8	38	22,0	35	13	-30	80	46,0	24750.0433
62	M 8	48	22,0	35	13	-30	80	49,0	24750.0443
62	M10	23	22,0	35	13	-30	80	51,0	24750.0453
62	M10	28	22,0	35	13	-30	80	54,0	24750.0463
62	M10	38	22,0	35	13	-30	80	59,0	24750.0473
62	M10	48	22,0	35	13	-30	80	64,0	24750.0483
62	M10	58	22,0	35	13	-30	80	69,0	24750.0493
ブルー									
30	M 4	10	14,0	19	7	-30	80	6,1	24750.0104
30	M 4	14	14,0	19	7	-30	80	6,6	24750.0114
30	M 4	18	14,0	19	7	-30	80	6,9	24750.0124
30	M 4	23	14,0	19	7	-30	80	7,3	24750.0134
30	M 4	28	14,0	19	7	-30	80	7,7	24750.0144
30	M 5	10	14,0	19	7	-30	80	7,5	24750.0154
30	M 5	14	14,0	19	7	-30	80	7,9	24750.0164
30	M 5	18	14,0	19	7	-30	80	8,4	24750.0174
30	M 5	23	14,0	19	7	-30	80	9,0	24750.0184
30	M 5	28	14,0	19	7	-30	80	9,0	24750.0194
40	M 5	10	16,5	22	9	-30	80	9,6	24750.0204
40	M 5	14	16,5	22	9	-30	80	10,0	24750.0214
40	M 5	18	16,5	22	9	-30	80	11,0	24750.0224
40	M 5	23	16,5	22	9	-30	80	12,0	24750.0234
40	M 5	28	16,5	22	9	-30	80	12,0	24750.0244
40	M 6	14	16,5	22	9	-30	80	12,0	24750.0254
40	M 6	18	16,5	22	9	-30	80	13,0	24750.0264
40	M 6	23	16,5	22	9	-30	80	14,0	24750.0274
40	M 6	28	16,5	22	9	-30	80	15,0	24750.0284
40	M 6	38	16,5	22	9	-30	80	16,0	24750.0294
50	M 6	14	22,0	26	10	-30	80	19,0	24750.0304
50	M 6	18	22,0	26	10	-30	80	19,0	24750.0314
50	M 6	23	22,0	26	10	-30	80	20,0	24750.0324
50	M 6	28	22,0	26	10	-30	80	21,0	24750.0334
50	M 6	38	22,0	26	10	-30	80	23,0	24750.0344
50	M 8	18	22,0	26	10	-30	80	26,0	24750.0354
50	M 8	23	22,0	26	10	-30	80	27,0	24750.0364
50	M 8	28	22,0	26	10	-30	80	29,0	24750.0374
50	M 8	38	22,0	26	10	-30	80	32,0	24750.0384
50	M 8	48	22,0	26	10	-30	80	35,0	24750.0394
62	M 8	18	22,0	35	13	-30	80	40,0	24750.0404
62	M 8	23	22,0	35	13	-30	80	41,0	24750.0414
62	M 8	28	22,0	35	13	-30	80	43,0	24750.0424
62	M 8	38	22,0	35	13	-30	80	46,0	24750.0434
62	M 8	48	22,0	35	13	-30	80	49,0	24750.0444
62	M10	23	22,0	35	13	-30	80	51,0	24750.0454
62	M10	28	22,0	35	13	-30	80	54,0	24750.0464
62	M10	38	22,0	35	13	-30	80	59,0	24750.0474
62	M10	48	22,0	35	13	-30	80	64,0	24750.0484
62	M10	58	22,0	35	13	-30	80	69,0	24750.0494

応用例



法令(コンプライアンス)

RoHS準拠

2011/65/EUと2015/863指令に適合しています

SVHC材の含有は無し

0.1%(質量%濃度)以上の高懸念物質(SVHC)は使用していません-2024年1月23日SVHCリスト対象.

プロポジション65の物質は含有していません

プロポジション65の指定物質は含まれていません

<https://www.P65Warnings.ca.gov/>

紛争物質は使用していません

本製品は、コンゴ民主共和国や隣国地域から産出されるチタン、錫、金、タングステンなどのいかなる「紛争鉱物」に由来する物質を使っていません。