

位置調整付クランピング・レバー・オネジ付
EH 24400.



製品説明

位置調整付クランプレバーは、レバーを決められた向きにする必要がある場合に最適です

材質

- レバー
- 亜鉛ダイキャスト、樹脂塗装、梨地オレンジ (RAL2004相当)
 - 亜鉛ダイキャスト、樹脂塗装、シルバー (RAL 9006相当、つや消し)
 - 亜鉛ダイキャスト、樹脂塗装、黒 (RAL 9005相当、つや消し)

内部部品

- スチール、黒染、強度クラス 5.8

ねじ

- スチール、黒染、強度クラス 5.8

取り扱い

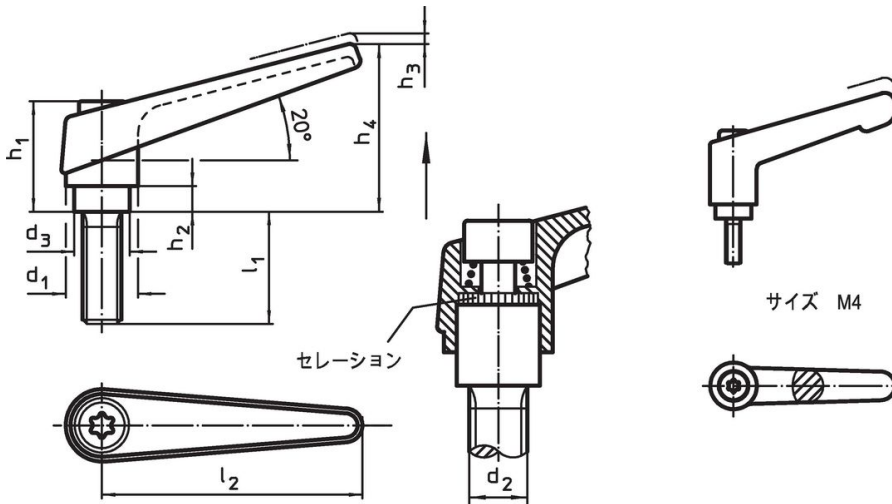
レバーを引き上げるとセレーションの噛み合いが離れ、レバーを任意の位置に廻すことができます。レバーを離せばセレーションが噛み合います。

更なる情報

備考

ネジ部は交換出来ます

寸法図



発注情報

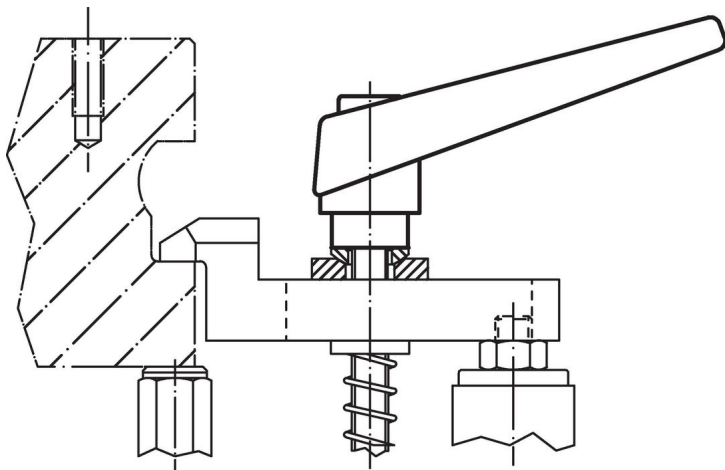
d ₁	d ₂	l ₁	d ₃	寸法 [mm]					重量 [g]	製品番号
				h ₁	h ₂	h ₃	h ₄	l ₂		
オレンジ										
13	M 4	12	10,0	24,5	4,0	3,5	30,5	30	27	24400.0010
13	M 4	16	10,0	24,5	4,0	3,5	30,5	30	27	24400.0014
13	M 4	20	10,0	24,5	4,0	3,5	30,5	30	28	24400.0018
13	M 4	25	10,0	24,5	4,0	3,5	30,5	30	28	24400.0022
13	M 4	32	10,0	24,5	4,0	3,5	30,5	30	28	24400.0026
14	M 5	12	10,0	24,5	4,0	3,0	35,0	45	36	24400.0041
14	M 5	16	10,0	24,5	4,0	3,0	35,0	45	36	24400.0051
14	M 5	20	10,0	24,5	4,0	3,0	35,0	45	37	24400.0061
14	M 5	25	10,0	24,5	4,0	3,0	35,0	45	38	24400.0071
14	M 5	32	10,0	24,5	4,0	3,0	35,0	45	38	24400.0081
14	M 5	40	10,0	24,5	4,0	3,0	35,0	45	39	24400.0086
14	M 6	12	10,0	24,5	4,0	3,0	35,0	45	37	24400.0131
14	M 6	16	10,0	24,5	4,0	3,0	35,0	45	37	24400.0141
14	M 6	20	10,0	24,5	4,0	3,0	35,0	45	39	24400.0151
14	M 6	25	10,0	24,5	4,0	3,0	35,0	45	41	24400.0161
14	M 6	32	10,0	24,5	4,0	3,0	35,0	45	40	24400.0171
14	M 6	40	10,0	24,5	4,0	3,0	35,0	45	41	24400.0181
14	M 6	50	10,0	24,5	4,0	3,0	35,0	45	43	24400.0191

d ₁	d ₂	l ₁	寸法					h ₄	l ₂	[g]	製品番号
			d ₃	h ₁	h ₂	h ₃	[mm]				
18	M 6	16	13,5	31,0	6,5	3,0	45,0	62	72	24400.0221	
18	M 6	20	13,5	31,0	6,5	3,0	45,0	62	72	24400.0231	
18	M 6	25	13,5	31,0	6,5	3,0	45,0	62	74	24400.0241	
18	M 6	32	13,5	31,0	6,5	3,0	45,0	62	74	24400.0251	
18	M 6	40	13,5	31,0	6,5	3,0	45,0	62	76	24400.0261	
18	M 6	50	13,5	31,0	6,5	3,0	45,0	62	76	24400.0271	
18	M 6	63	13,5	31,0	6,5	3,0	45,0	62	80	24400.0281	
18	M 8	16	13,5	31,0	6,5	3,0	45,0	62	74	24400.0331	
18	M 8	20	13,5	31,0	6,5	3,0	45,0	62	76	24400.0341	
18	M 8	25	13,5	31,0	6,5	3,0	45,0	62	86	24400.0351	
18	M 8	32	13,5	31,0	6,5	3,0	45,0	62	86	24400.0361	
18	M 8	40	13,5	31,0	6,5	3,0	45,0	62	88	24400.0371	
18	M 8	50	13,5	31,0	6,5	3,0	45,0	62	89	24400.0381	
18	M 8	63	13,5	31,0	6,5	3,0	45,0	62	96	24400.0391	
22	M10	20	16,0	36,0	8,0	3,5	52,0	74	128	24400.0441	
22	M10	25	16,0	36,0	8,0	3,5	52,0	74	130	24400.0451	
22	M10	32	16,0	36,0	8,0	3,5	52,0	74	134	24400.0461	
22	M10	40	16,0	36,0	8,0	3,5	52,0	74	138	24400.0471	
22	M10	50	16,0	36,0	8,0	3,5	52,0	74	143	24400.0481	
22	M10	63	16,0	36,0	8,0	3,5	52,0	74	152	24400.0486	
22	M10	80	16,0	36,0	8,0	3,5	52,0	74	166	24400.0491	
25	M12	25	19,0	43,0	11,0	4,0	63,0	89	205	24400.0541	
25	M12	32	19,0	43,0	11,0	4,0	63,0	89	209	24400.0551	
25	M12	40	19,0	43,0	11,0	4,0	63,0	89	215	24400.0561	
25	M12	50	19,0	43,0	11,0	4,0	63,0	89	222	24400.0571	
25	M12	63	19,0	43,0	11,0	4,0	63,0	89	232	24400.0581	
25	M12	80	19,0	43,0	11,0	4,0	63,0	89	244	24400.0591	
30	M16	32	23,0	50,5	12,0	5,0	76,0	108	348	24400.0641	
30	M16	40	23,0	50,5	12,0	5,0	76,0	108	357	24400.0651	
30	M16	50	23,0	50,5	12,0	5,0	76,0	108	370	24400.0661	
30	M16	63	23,0	50,5	12,0	5,0	76,0	108	386	24400.0671	
30	M16	80	23,0	50,5	12,0	5,0	76,0	108	407	24400.0681	
シルバー											
14	M 5	12	10,0	24,5	4,0	3,0	35,0	45	36	24400.0043	
14	M 5	16	10,0	24,5	4,0	3,0	35,0	45	36	24400.0053	
14	M 5	20	10,0	24,5	4,0	3,0	35,0	45	37	24400.0063	
14	M 5	25	10,0	24,5	4,0	3,0	35,0	45	38	24400.0073	
14	M 5	32	10,0	24,5	4,0	3,0	35,0	45	38	24400.0083	
14	M 5	40	10,0	24,5	4,0	3,0	35,0	45	39	24400.0088	
14	M 6	12	10,0	24,5	4,0	3,0	35,0	45	37	24400.0133	
14	M 6	16	10,0	24,5	4,0	3,0	35,0	45	37	24400.0143	
14	M 6	20	10,0	24,5	4,0	3,0	35,0	45	39	24400.0153	
14	M 6	25	10,0	24,5	4,0	3,0	35,0	45	41	24400.0163	
14	M 6	32	10,0	24,5	4,0	3,0	35,0	45	40	24400.0173	
14	M 6	40	10,0	24,5	4,0	3,0	35,0	45	41	24400.0183	
14	M 6	50	10,0	24,5	4,0	3,0	35,0	45	43	24400.0193	
18	M 6	16	13,5	31,0	6,5	3,0	45,0	62	72	24400.0223	
18	M 6	20	13,5	31,0	6,5	3,0	45,0	62	72	24400.0233	
18	M 6	25	13,5	31,0	6,5	3,0	45,0	62	74	24400.0243	
18	M 6	32	13,5	31,0	6,5	3,0	45,0	62	74	24400.0253	
18	M 6	40	13,5	31,0	6,5	3,0	45,0	62	76	24400.0263	
18	M 6	50	13,5	31,0	6,5	3,0	45,0	62	76	24400.0273	
18	M 6	63	13,5	31,0	6,5	3,0	45,0	62	80	24400.0283	
18	M 8	16	13,5	31,0	6,5	3,0	45,0	62	74	24400.0333	
18	M 8	20	13,5	31,0	6,5	3,0	45,0	62	76	24400.0343	
18	M 8	25	13,5	31,0	6,5	3,0	45,0	62	86	24400.0353	
18	M 8	32	13,5	31,0	6,5	3,0	45,0	62	86	24400.0363	
18	M 8	40	13,5	31,0	6,5	3,0	45,0	62	88	24400.0373	
18	M 8	50	13,5	31,0	6,5	3,0	45,0	62	89	24400.0383	
18	M 8	63	13,5	31,0	6,5	3,0	45,0	62	96	24400.0393	
22	M10	20	16,0	36,0	8,0	3,5	52,0	74	128	24400.0443	
22	M10	25	16,0	36,0	8,0	3,5	52,0	74	130	24400.0453	

d ₁	d ₂	l ₁	d ₃	寸法					l ₂	製品番号
				h ₁	h ₂	h ₃	h ₄	[mm]		
22	M10	32	16,0	36,0	8,0	3,5	52,0	74	134	24400.0463
22	M10	40	16,0	36,0	8,0	3,5	52,0	74	138	24400.0473
22	M10	50	16,0	36,0	8,0	3,5	52,0	74	143	24400.0483
22	M10	63	16,0	36,0	8,0	3,5	52,0	74	152	24400.0488
22	M10	80	16,0	36,0	8,0	3,5	52,0	74	166	24400.0493
25	M12	25	19,0	43,0	11,0	4,0	63,0	89	205	24400.0543
25	M12	32	19,0	43,0	11,0	4,0	63,0	89	209	24400.0553
25	M12	40	19,0	43,0	11,0	4,0	63,0	89	215	24400.0563
25	M12	50	19,0	43,0	11,0	4,0	63,0	89	222	24400.0573
25	M12	63	19,0	43,0	11,0	4,0	63,0	89	232	24400.0583
25	M12	80	19,0	43,0	11,0	4,0	63,0	89	244	24400.0593
30	M16	32	23,0	50,5	12,0	5,0	76,0	108	348	24400.0643
30	M16	40	23,0	50,5	12,0	5,0	76,0	108	357	24400.0653
30	M16	50	23,0	50,5	12,0	5,0	76,0	108	370	24400.0663
30	M16	63	23,0	50,5	12,0	5,0	76,0	108	386	24400.0673
30	M16	80	23,0	50,5	12,0	5,0	76,0	108	407	24400.0683
黒										
13	M 4	12	10,0	24,5	4,0	3,5	30,5	30	27	24400.0012
13	M 4	16	10,0	24,5	4,0	3,5	30,5	30	27	24400.0016
13	M 4	20	10,0	24,5	4,0	3,5	30,5	30	28	24400.0020
13	M 4	25	10,0	24,5	4,0	3,5	30,5	30	28	24400.0024
13	M 4	32	10,0	24,5	4,0	3,5	30,5	30	28	24400.0028
14	M 5	12	10,0	24,5	4,0	3,0	35,0	45	36	24400.0044
14	M 5	16	10,0	24,5	4,0	3,0	35,0	45	36	24400.0054
14	M 5	20	10,0	24,5	4,0	3,0	35,0	45	37	24400.0064
14	M 5	25	10,0	24,5	4,0	3,0	35,0	45	38	24400.0074
14	M 5	32	10,0	24,5	4,0	3,0	35,0	45	38	24400.0084
14	M 5	40	10,0	24,5	4,0	3,0	35,0	45	39	24400.0089
14	M 6	12	10,0	24,5	4,0	3,0	35,0	45	37	24400.0134
14	M 6	16	10,0	24,5	4,0	3,0	35,0	45	37	24400.0144
14	M 6	20	10,0	24,5	4,0	3,0	35,0	45	39	24400.0154
14	M 6	25	10,0	24,5	4,0	3,0	35,0	45	41	24400.0164
14	M 6	32	10,0	24,5	4,0	3,0	35,0	45	40	24400.0174
14	M 6	40	10,0	24,5	4,0	3,0	35,0	45	41	24400.0184
14	M 6	50	10,0	24,5	4,0	3,0	35,0	45	43	24400.0194
18	M 6	16	13,5	31,0	6,5	3,0	45,0	62	72	24400.0224
18	M 6	20	13,5	31,0	6,5	3,0	45,0	62	72	24400.0234
18	M 6	25	13,5	31,0	6,5	3,0	45,0	62	74	24400.0244
18	M 6	32	13,5	31,0	6,5	3,0	45,0	62	74	24400.0254
18	M 6	40	13,5	31,0	6,5	3,0	45,0	62	76	24400.0264
18	M 6	50	13,5	31,0	6,5	3,0	45,0	62	76	24400.0274
18	M 6	63	13,5	31,0	6,5	3,0	45,0	62	80	24400.0284
18	M 8	16	13,5	31,0	6,5	3,0	45,0	62	74	24400.0334
18	M 8	20	13,5	31,0	6,5	3,0	45,0	62	76	24400.0344
18	M 8	25	13,5	31,0	6,5	3,0	45,0	62	86	24400.0354
18	M 8	32	13,5	31,0	6,5	3,0	45,0	62	86	24400.0364
18	M 8	40	13,5	31,0	6,5	3,0	45,0	62	88	24400.0374
18	M 8	50	13,5	31,0	6,5	3,0	45,0	62	89	24400.0384
18	M 8	63	13,5	31,0	6,5	3,0	45,0	62	96	24400.0394
22	M10	20	16,0	36,0	8,0	3,5	52,0	74	128	24400.0444
22	M10	25	16,0	36,0	8,0	3,5	52,0	74	130	24400.0454
22	M10	32	16,0	36,0	8,0	3,5	52,0	74	134	24400.0464
22	M10	40	16,0	36,0	8,0	3,5	52,0	74	138	24400.0474
22	M10	50	16,0	36,0	8,0	3,5	52,0	74	143	24400.0484
22	M10	63	16,0	36,0	8,0	3,5	52,0	74	152	24400.0489
22	M10	80	16,0	36,0	8,0	3,5	52,0	74	166	24400.0494
25	M12	25	19,0	43,0	11,0	4,0	63,0	89	205	24400.0544
25	M12	32	19,0	43,0	11,0	4,0	63,0	89	209	24400.0554
25	M12	40	19,0	43,0	11,0	4,0	63,0	89	215	24400.0564
25	M12	50	19,0	43,0	11,0	4,0	63,0	89	222	24400.0574
25	M12	63	19,0	43,0	11,0	4,0	63,0	89	232	24400.0584
25	M12	80	19,0	43,0	11,0	4,0	63,0	89	244	24400.0594

d ₁	d ₂	l ₁	d ₃	寸法					l ₂	製品番号
				h ₁	h ₂	h ₃	h ₄	[mm]		
30	M16	32	23,0	50,5	12,0	5,0	76,0	108	348	24400.0644
30	M16	40	23,0	50,5	12,0	5,0	76,0	108	357	24400.0654
30	M16	50	23,0	50,5	12,0	5,0	76,0	108	370	24400.0664
30	M16	63	23,0	50,5	12,0	5,0	76,0	108	386	24400.0674
30	M16	80	23,0	50,5	12,0	5,0	76,0	108	407	24400.0684

応用例



法令(コンプライアンス)

RoHS準拠

鉛を含有 - 6a/ 6b/ 6cの除外規定に適合

0.1%以上の高懸念物質(SVHC)を使用しています

鉛を含有します-2024年6月27日SVHC [REACH]リスト対象

プロポジション65リストの物質を使用しています



鉛に晒されることは、発がん性や生殖障害を引き起こす原因になります。

<https://www.P65Warnings.ca.gov/>

紛争物質は使用していません

本製品は、コンゴ民主共和国や隣国地域から産出されるチタン、錫、金、タングステンなどのいかなる「紛争鉱物」に由来する物質を使っていません。