

位置調整付クランピング・レバー・オネジ付、内部部品ステンレス製  
EH 24390.



製品説明

レバー位置を調整できるクランピング・レバー。内部部品はステンレス製。医療機器、化学産業など様々な分野で利用されます。

材質

レバー

- 亜鉛ダイキャスト、樹脂塗装、梨地オレンジ (RAL2004相当)
- 亜鉛ダイキャスト、樹脂塗装、黒 (RAL 9005相当、つや消し)

内部部品

- ステンレス鋼 1.4305 (SUS303相当)

ねじ

- ステンレス鋼 1.4305 (SUS303相当)

取り扱い

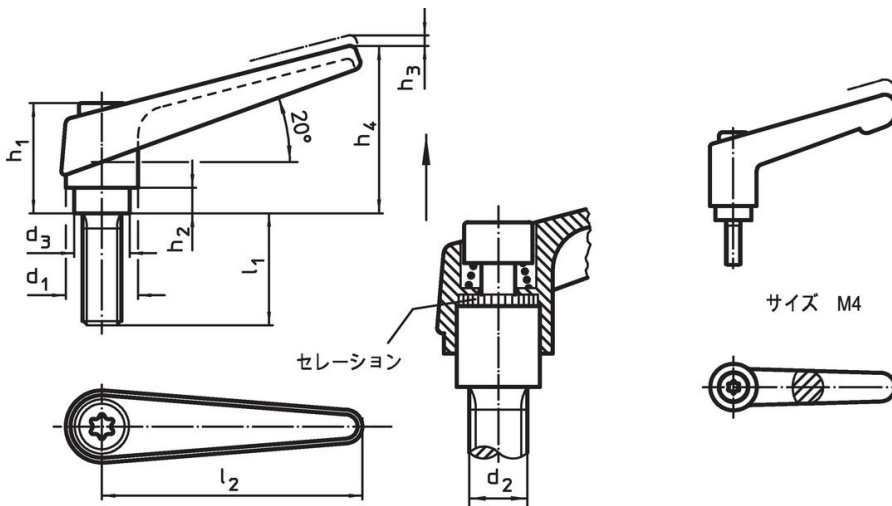
レバーを引き上げるとセレーションの噛み合いが離れ、レバーを任意の位置に廻すことができます。レバーを離せばセレーションが噛み合います。

更なる情報

備考

ネジ部は交換出来ます

寸法図



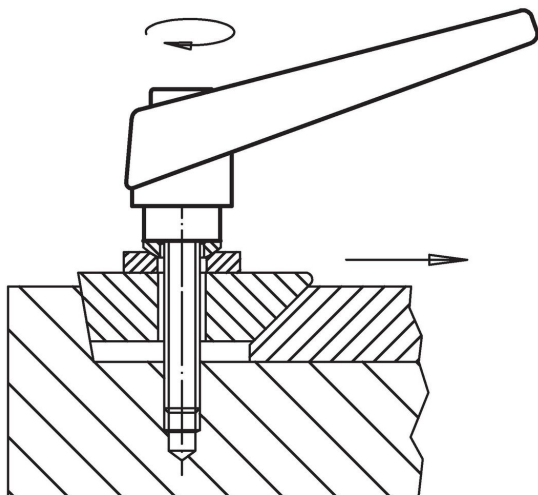
発注情報

d <sub>1</sub>	d <sub>2</sub>	l <sub>1</sub>	d <sub>3</sub>	寸法					[g]	製品番号
				h <sub>1</sub>	h <sub>2</sub>	h <sub>3</sub>	h <sub>4</sub>	l <sub>2</sub>		
[mm]										
オレンジ										
13	M 4	12	10,0	24,5	4,0	3,5	30,5	30	27	24390.0010
13	M 4	16	10,0	24,5	4,0	3,5	30,5	30	30	24390.0014
13	M 4	20	10,0	24,5	4,0	3,5	30,5	30	28	24390.0018
13	M 4	25	10,0	24,5	4,0	3,5	30,5	30	28	24390.0022
13	M 4	32	10,0	24,5	4,0	3,5	30,5	30	29	24390.0026
14	M 5	12	10,0	24,5	4,0	3,0	35,0	45	36	24390.0041
14	M 5	16	10,0	24,5	4,0	3,0	35,0	45	36	24390.0051
14	M 5	20	10,0	24,5	4,0	3,0	35,0	45	37	24390.0061
14	M 5	25	10,0	24,5	4,0	3,0	35,0	45	38	24390.0071
14	M 5	32	10,0	24,5	4,0	3,0	35,0	45	38	24390.0081
14	M 5	40	10,0	24,5	4,0	3,0	35,0	45	39	24390.0086
14	M 6	12	10,0	24,5	4,0	3,0	35,0	45	37	24390.0131
14	M 6	16	10,0	24,5	4,0	3,0	35,0	45	37	24390.0141
14	M 6	20	10,0	24,5	4,0	3,0	35,0	45	38	24390.0151
14	M 6	25	10,0	24,5	4,0	3,0	35,0	45	39	24390.0161
14	M 6	32	10,0	24,5	4,0	3,0	35,0	45	40	24390.0171
14	M 6	40	10,0	24,5	4,0	3,0	35,0	45	41	24390.0181
14	M 6	50	10,0	24,5	4,0	3,0	35,0	45	43	24390.0191
18	M 8	16	13,5	31,0	6,5	3,0	45,0	62	74	24390.0331

d <sub>1</sub>	d <sub>2</sub>	l <sub>1</sub>	寸法					h <sub>4</sub>	l <sub>2</sub>	[g]	製品番号
			d <sub>3</sub>	h <sub>1</sub>	h <sub>2</sub>	h <sub>3</sub>	[mm]				
18	M 8	20	13,5	31,0	6,5	3,0	45,0	62	76	24390.0341	
18	M 8	25	13,5	31,0	6,5	3,0	45,0	62	77	24390.0351	
18	M 8	32	13,5	31,0	6,5	3,0	45,0	62	79	24390.0361	
18	M 8	40	13,5	31,0	6,5	3,0	45,0	62	81	24390.0371	
18	M 8	50	13,5	31,0	6,5	3,0	45,0	62	84	24390.0381	
18	M 8	63	13,5	31,0	6,5	3,0	45,0	62	89	24390.0391	
22	M10	20	16,0	36,0	8,0	3,5	52,0	74	128	24390.0441	
22	M10	25	16,0	36,0	8,0	3,5	52,0	74	130	24390.0451	
22	M10	32	16,0	36,0	8,0	3,5	52,0	74	134	24390.0461	
22	M10	40	16,0	36,0	8,0	3,5	52,0	74	138	24390.0471	
22	M10	50	16,0	36,0	8,0	3,5	52,0	74	143	24390.0481	
22	M10	63	16,0	36,0	8,0	3,5	52,0	74	148	24390.0486	
22	M10	80	16,0	36,0	8,0	3,5	52,0	74	157	24390.0491	
25	M12	25	19,0	43,0	11,0	4,0	63,0	89	205	24390.0541	
25	M12	32	19,0	43,0	11,0	4,0	63,0	89	209	24390.0551	
25	M12	40	19,0	43,0	11,0	4,0	63,0	89	215	24390.0561	
25	M12	50	19,0	43,0	11,0	4,0	63,0	89	222	24390.0571	
25	M12	63	19,0	43,0	11,0	4,0	63,0	89	232	24390.0581	
25	M12	80	19,0	43,0	11,0	4,0	63,0	89	240	24390.0591	
30	M16	32	23,0	50,5	12,0	5,0	76,0	108	348	24390.0641	
30	M16	40	23,0	50,5	12,0	5,0	76,0	108	357	24390.0651	
30	M16	50	23,0	50,5	12,0	5,0	76,0	108	370	24390.0661	
30	M16	63	23,0	50,5	12,0	5,0	76,0	108	386	24390.0671	
30	M16	80	23,0	50,5	12,0	5,0	76,0	108	407	24390.0681	
<b>黒</b>											
13	M 4	12	10,0	24,5	4,0	3,5	30,5	30	27	24390.0012	
13	M 4	16	10,0	24,5	4,0	3,5	30,5	30	30	24390.0016	
13	M 4	20	10,0	24,5	4,0	3,5	30,5	30	28	24390.0020	
13	M 4	25	10,0	24,5	4,0	3,5	30,5	30	28	24390.0024	
13	M 4	32	10,0	24,5	4,0	3,5	30,5	30	29	24390.0028	
14	M 5	12	10,0	24,5	4,0	3,0	35,0	45	36	24390.0044	
14	M 5	16	10,0	24,5	4,0	3,0	35,0	45	36	24390.0054	
14	M 5	20	10,0	24,5	4,0	3,0	35,0	45	37	24390.0064	
14	M 5	25	10,0	24,5	4,0	3,0	35,0	45	38	24390.0074	
14	M 5	32	10,0	24,5	4,0	3,0	35,0	45	38	24390.0084	
14	M 5	40	10,0	24,5	4,0	3,0	35,0	45	39	24390.0089	
14	M 6	12	10,0	24,5	4,0	3,0	35,0	45	37	24390.0134	
14	M 6	16	10,0	24,5	4,0	3,0	35,0	45	37	24390.0144	
14	M 6	20	10,0	24,5	4,0	3,0	35,0	45	38	24390.0154	
14	M 6	25	10,0	24,5	4,0	3,0	35,0	45	39	24390.0164	
14	M 6	32	10,0	24,5	4,0	3,0	35,0	45	40	24390.0174	
14	M 6	40	10,0	24,5	4,0	3,0	35,0	45	41	24390.0184	
14	M 6	50	10,0	24,5	4,0	3,0	35,0	45	43	24390.0194	
18	M 8	16	13,5	31,0	6,5	3,0	45,0	62	74	24390.0334	
18	M 8	20	13,5	31,0	6,5	3,0	45,0	62	76	24390.0344	
18	M 8	25	13,5	31,0	6,5	3,0	45,0	62	77	24390.0354	
18	M 8	32	13,5	31,0	6,5	3,0	45,0	62	79	24390.0364	
18	M 8	40	13,5	31,0	6,5	3,0	45,0	62	81	24390.0374	
18	M 8	50	13,5	31,0	6,5	3,0	45,0	62	84	24390.0384	
18	M 8	63	13,5	31,0	6,5	3,0	45,0	62	89	24390.0394	
22	M10	20	16,0	36,0	8,0	3,5	52,0	74	128	24390.0444	
22	M10	25	16,0	36,0	8,0	3,5	52,0	74	130	24390.0454	
22	M10	32	16,0	36,0	8,0	3,5	52,0	74	134	24390.0464	
22	M10	40	16,0	36,0	8,0	3,5	52,0	74	138	24390.0474	
22	M10	50	16,0	36,0	8,0	3,5	52,0	74	143	24390.0484	
22	M10	63	16,0	36,0	8,0	3,5	52,0	74	148	24390.0489	
22	M10	80	16,0	36,0	8,0	3,5	52,0	74	157	24390.0494	
25	M12	25	19,0	43,0	11,0	4,0	63,0	89	205	24390.0544	
25	M12	32	19,0	43,0	11,0	4,0	63,0	89	209	24390.0554	
25	M12	40	19,0	43,0	11,0	4,0	63,0	89	215	24390.0564	
25	M12	50	19,0	43,0	11,0	4,0	63,0	89	222	24390.0574	
25	M12	63	19,0	43,0	11,0	4,0	63,0	89	232	24390.0584	

d <sub>1</sub>	d <sub>2</sub>	l <sub>1</sub>	d <sub>3</sub>	寸法					l <sub>2</sub>	製品番号
				h <sub>1</sub>	h <sub>2</sub>	h <sub>3</sub>	h <sub>4</sub>	[mm]		
25	M12	80	19,0	43,0	11,0	4,0	63,0	89	240	24390.0594
30	M16	32	23,0	50,5	12,0	5,0	76,0	108	348	24390.0644
30	M16	40	23,0	50,5	12,0	5,0	76,0	108	357	24390.0654
30	M16	50	23,0	50,5	12,0	5,0	76,0	108	370	24390.0664
30	M16	63	23,0	50,5	12,0	5,0	76,0	108	386	24390.0674
30	M16	80	23,0	50,5	12,0	5,0	76,0	108	407	24390.0684

### 応用例



### 法令(コンプライアンス)

#### RoHS準拠

鉛を含有 - 6a/ 6b/ 6cの除外規定に適合

#### 0.1%以上の高懸念物質(SVHC)を使用しています

鉛を含有します-2024年1月23日SVHC [REACH]リスト対象

#### プロポジション65リストの物質を使用しています



鉛に晒されることは、発がん性や生殖障害を引き起こす原因になります。

<https://www.P65Warnings.ca.gov/>

#### 紛争物質は使用していません

本製品は、コンゴ民主共和国や隣国地域から産出されるチタン、錫、金、タングステンなどのいかなる「紛争鉱物」に由来する物質を使っていません。