

Antivibranti gomma-metallo • cilindrici

EH 25150.



Descrizione prodotto

Usati come supporti elastici per motori, compressori, pompe, ecc.
La durezza è di $55 \pm 5^\circ$ Shore A. Ulteriori gradi di durezza ($40 \pm 5^\circ$ shore A e $70 \pm 5^\circ$ shore A) sono fornibili a richiesta.

Materiale

Rondella d'appoggio

- Acciaio, zincato, cromato blu

Bussola filettata

- Acciaio, zincato, cromato blu

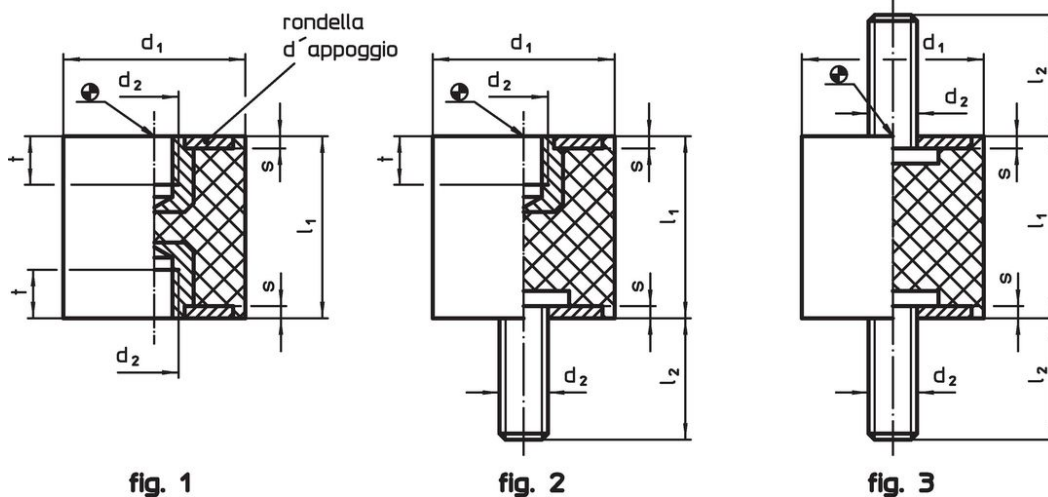
Corpo

- Caoutchouc gomma naturale (NR), nera

Vite




- Acciaio, zincato, cromato blu



Disegno



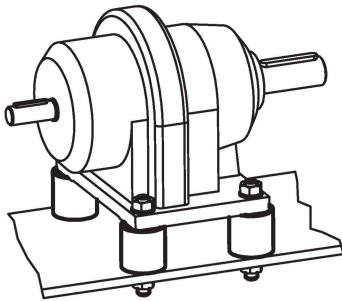
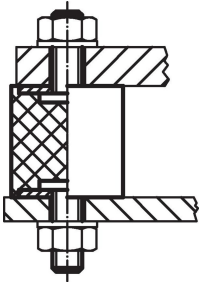
Caratteristiche

Dimensioni						Rigidità R ~ [N/mm]	Carico max. [N]	Corsa ~ [mm]	Temperatura		Peso [g]	Codice
d ₁ ±1,5	l ₁ ±1,5	d ₂	l ₂	s	t ~				min.	max.		
[mm]												
Con foro filettato, su entrambi i lati – Fig. 1												
8	8	M 3	–	1,0	3,0	38	75	2,00	-30	80	1,0	25150.0003
10	10	M 4	–	1,2	4,0	36	90	2,50	-30	80	2,5	25150.0006
10	15	M 4	–	1,2	4,0	17	65	3,75	-30	80	2,9	25150.0007
15	10	M 4	–	1,4	4,0	80	200	2,50	-30	80	5,2	25150.0008
15	15	M 4	–	1,4	4,0	36	135	3,75	-30	80	6,2	25150.0009
15	20	M 4	–	1,4	4,0	30	152	5,00	-30	80	7,4	25150.0010
20	15	M 6	–	2,0	5,0	95	355	3,75	-30	80	13,0	25150.0021
20	20	M 6	–	2,0	5,0	53	267	5,00	-30	80	14,0	25150.0022
20	25	M 6	–	2,0	5,0	50	315	6,25	-30	80	16,0	25150.0023
25	20	M 6	–	2,0	5,0	121	605	5,00	-30	80	22,0	25150.0026
25	25	M 6	–	2,0	5,0	85	530	6,25	-30	80	30,0	25150.0027
25	30	M 6	–	2,0	5,0	77	575	7,50	-30	80	30,0	25150.0028
30	30	M 8	–	2,0	6,5	114	855	7,50	-30	80	50,0	25150.0031
30	40	M 8	–	2,0	6,5	76	757	10,00	-30	80	50,0	25150.0032
40	30	M 8	–	2,0	6,5	205	1535	7,50	-30	80	80,0	25150.0041
40	40	M 8	–	2,0	6,5	164	1635	10,00	-30	80	100,0	25150.0042
50	30	M10	–	2,0	7,0	343	2570	7,50	-30	80	130,0	25150.0051

Dimensioni						Rigidità R	Carico max.	Corsa	 min. max.		 [g]	 Codice
d ₁ ±1,5	l ₁ ±1,5	d ₂	l ₂	s	t	~ [N/mm]	[N]	~ [mm]	[°C]		[g]	
[mm]												
50	40	M10	-	2,0	7,0	245	2445	10,00	-30	80	150,0	25150.0052
50	50	M10	-	2,0	7,0	178	2225	12,50	-30	80	166,0	25150.0053
60	30	M10	-	2,0	7,0	453	3400	7,50	-30	80	190,0	25150.0061
60	40	M10	-	2,0	7,0	330	3300	10,00	-30	80	220,0	25150.0062
70	45	M10	-	3,0	7,0	356	4000	11,25	-30	80	340,0	25150.0071
75	40	M12	-	3,0	9,0	465	4650	10,00	-30	80	360,0	25150.0076
75	55	M12	-	3,0	9,0	327	4500	13,75	-30	80	450,0	25150.0077
Con foro filettato e vite – Fig. 2												
8	8	M 3	6	1,0	3,0	38	75	2,00	-30	80	1,2	25150.0103
10	10	M 4	10	1,2	4,0	36	90	2,50	-30	80	2,4	25150.0106
10	15	M 4	10	1,2	4,0	17	65	3,75	-30	80	2,8	25150.0107
15	10	M 4	10	1,4	4,0	80	200	2,50	-30	80	5,7	25150.0108
15	15	M 4	10	1,4	4,0	35	130	3,75	-30	80	6,6	25150.0109
15	20	M 4	10	1,4	4,0	30	150	5,00	-30	80	7,6	25150.0110
20	15	M 6	18	2,0	5,0	95	355	3,75	-30	80	15,0	25150.0121
20	20	M 6	18	2,0	5,0	53	265	5,00	-30	80	17,0	25150.0122
20	25	M 6	18	2,0	5,0	50	315	6,25	-30	80	18,0	25150.0123
25	15	M 6	18	2,0	5,0	184	690	3,75	-30	80	26,0	25150.0126
25	20	M 6	18	2,0	5,0	121	605	5,00	-30	80	26,0	25150.0127
25	30	M 6	18	2,0	5,0	76	570	7,50	-30	80	36,0	25150.0128
30	15	M 8	20	2,0	6,5	143	535	3,75	-30	80	41,0	25150.0131
30	30	M 8	20	2,0	6,5	113	850	7,50	-30	80	50,0	25150.0132
40	20	M 8	23	2,0	6,5	302	1510	5,00	-30	80	72,0	25150.0141
40	30	M 8	23	2,0	6,5	204	1530	7,50	-30	80	85,0	25150.0142
40	40	M 8	23	2,0	6,5	163	1630	10,00	-30	80	98,0	25150.0143
50	20	M10	28	2,0	7,0	720	3600	5,00	-30	80	115,0	25150.0151
50	30	M10	28	2,0	7,0	343	2575	7,50	-30	80	135,0	25150.0152
50	40	M10	28	2,0	7,0	244	2440	10,00	-30	80	160,0	25150.0153
50	50	M10	28	2,0	7,0	176	2200	12,50	-30	80	185,0	25150.0154
60	30	M10	28	2,0	7,0	453	3400	7,50	-30	80	200,0	25150.0161
60	40	M10	28	2,0	7,0	333	3330	10,00	-30	80	220,0	25150.0162
70	45	M10	27	3,0	7,0	356	4000	11,25	-30	80	372,0	25150.0171
75	40	M12	37	3,0	9,0	460	4600	10,00	-30	80	385,0	25150.0176
75	55	M12	37	3,0	9,0	328	4510	13,75	-30	80	453,0	25150.0177
Con vite, su entrambi i lati – Fig. 3												
8	8	M 3	6	1,0	-	35	70	2,00	-30	80	1,4	25150.0203
10	10	M 4	10	1,2	-	36	89	2,50	-30	80	3,0	25150.0206
10	15	M 4	10	1,2	-	16	60	3,75	-30	80	3,5	25150.0207
15	10	M 4	10	1,4	-	79	198	2,50	-30	80	6,1	25150.0208
15	15	M 4	10	1,4	-	33	125	3,75	-30	80	7,1	25150.0209
15	20	M 4	10	1,4	-	29	145	5,00	-30	80	8,1	25150.0210
20	15	M 6	18	2,0	-	94	352	3,75	-30	80	18,0	25150.0221
20	20	M 6	18	2,0	-	52	260	5,00	-30	80	19,0	25150.0222
20	25	M 6	18	2,0	-	50	310	6,25	-30	80	20,0	25150.0223
25	15	M 6	18	2,0	-	183	687	3,75	-30	80	28,0	25150.0226
25	20	M 6	18	2,0	-	120	602	5,00	-30	80	32,0	25150.0227
25	30	M 6	18	2,0	-	75	562	7,50	-30	80	39,0	25150.0228
30	15	M 8	20	2,0	-	142	534	3,75	-30	80	45,0	25150.0231
30	30	M 8	20	2,0	-	112	843	7,50	-30	80	58,0	25150.0232
40	20	M 8	23	2,0	-	300	1500	5,00	-30	80	80,0	25150.0241
40	30	M 8	23	2,0	-	204	1527	7,50	-30	80	95,0	25150.0242
40	40	M 8	23	2,0	-	162	1620	10,00	-30	80	100,0	25150.0243
50	20	M10	28	2,0	-	718	3589	5,00	-30	80	130,0	25150.0251
50	30	M10	28	2,0	-	343	2570	7,50	-30	80	150,0	25150.0252
50	40	M10	28	2,0	-	244	2436	10,00	-30	80	170,0	25150.0253
50	50	M10	28	2,0	-	176	2198	12,50	-30	80	187,0	25150.0254
60	30	M10	28	2,0	-	453	3400	7,50	-30	80	210,0	25150.0261

Dimensioni						Rigidità R ~ [N/mm]	Carico max. [N]	Corsa ~ [mm]	 min. max. [°C]		 [g]	Codice
d ₁ ±1,5	l ₁ ±1,5	d ₂	l ₂	s	t ~				[mm]			
60	40	M10	28	2,0	-	330	3300	10,00	-30	80	236,0	25150.0262
70	45	M10	27	3,0	-	356	4000	11,25	-30	80	380,0	25150.0271
75	40	M12	37	3,0	-	450	4500	10,00	-30	80	410,0	25150.0276
75	55	M12	37	3,0	-	320	4400	13,75	-30	80	515,0	25150.0277

Esempio di applicazione



Conformità

Conforme alla normativa RoHS

Contiene piombo - conforme alle eccezioni 6a / 6b / 6c.

Contiene sostanze SVHC >0,1% p/p

Contiene piombo - elenco SVHC [REACH] aggiornato al 23.01.2024.

Contiene sostanze della Proposition 65



L'esposizione al piombo può causare cancro e danni riproduttivi
<https://www.P65Warnings.ca.gov/>

Privo di minerali di conflitto

Questo prodotto non contiene sostanze designate come "minerali da conflitto" come tantalio, stagno, oro o tungsteno della Repubblica Democratica del Congo o dei paesi limitrofi.