

Viti con impugnatura a stella · Plastica

EH 24750.



Descrizione prodotto

Materiale

Coperchio

- Plastica PA, nero simile a RAL 9005
- Plastica PA, bianco simile a RAL 9019
- Plastica PA, arancio simile a RAL 2004
- Plastica PA, giallo simile a RAL 1016
- Plastica PA, azzurro simile a RAL 5015

Impugnatura

- Plastica PA 6, nero simile a RAL 9005

Vite

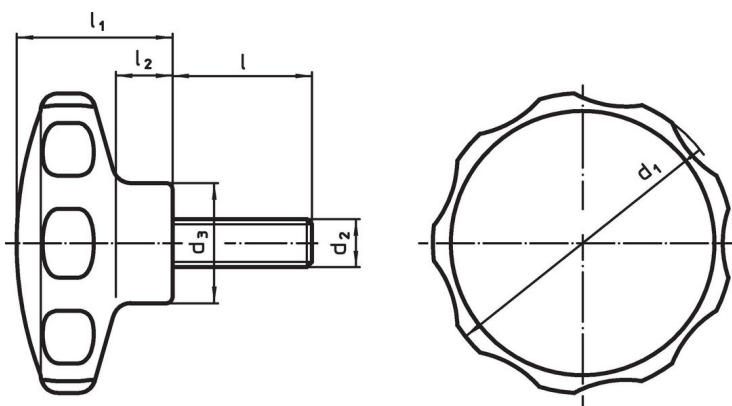
- acciaio inox

Maggiori informazioni

Note

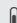

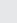
Esecuzioni speciali con altri fori o lunghezza a richiesta

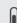

Disegno

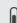

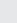


Caratteristiche

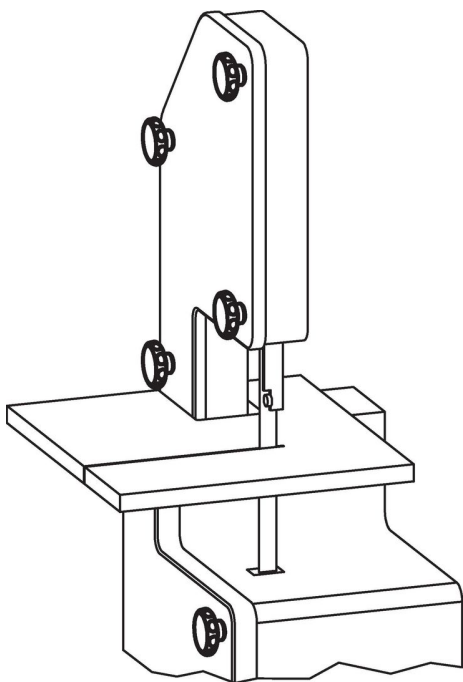
Dimensioni							Temperatura		Peso	Codice
d ₁	d ₂	l	d ₃	l ₁	l ₂	min.	max.	[g]		
[mm]						[°C]				
nero										
30	M 4	10	14,0	19	7	-30	80	6,1	24750.0100	
30	M 4	14	14,0	19	7	-30	80	6,6	24750.0110	
30	M 4	18	14,0	19	7	-30	80	6,9	24750.0120	
30	M 4	23	14,0	19	7	-30	80	7,3	24750.0130	
30	M 4	28	14,0	19	7	-30	80	7,7	24750.0140	
30	M 5	10	14,0	19	7	-30	80	7,5	24750.0150	
30	M 5	14	14,0	19	7	-30	80	7,9	24750.0160	
30	M 5	18	14,0	19	7	-30	80	8,4	24750.0170	
30	M 5	23	14,0	19	7	-30	80	9,0	24750.0180	
30	M 5	28	14,0	19	7	-30	80	9,0	24750.0190	
40	M 5	10	16,5	22	9	-30	80	9,6	24750.0200	
40	M 5	14	16,5	22	9	-30	80	10,0	24750.0210	
40	M 5	18	16,5	22	9	-30	80	11,0	24750.0220	
40	M 5	23	16,5	22	9	-30	80	12,0	24750.0230	
40	M 5	28	16,5	22	9	-30	80	12,0	24750.0240	
40	M 6	14	16,5	22	9	-30	80	12,0	24750.0250	
40	M 6	18	16,5	22	9	-30	80	13,0	24750.0260	
40	M 6	23	16,5	22	9	-30	80	14,0	24750.0270	
40	M 6	28	16,5	22	9	-30	80	15,0	24750.0280	
40	M 6	38	16,5	22	9	-30	80	16,0	24750.0290	
50	M 6	14	22,0	26	10	-30	80	19,0	24750.0300	
50	M 6	18	22,0	26	10	-30	80	19,0	24750.0310	
50	M 6	23	22,0	26	10	-30	80	20,0	24750.0320	

Dimensioni						 min. max.		 [g]	Codice
d ₁	d ₂	l	d ₃	l ₁	l ₂	 [°C]			
[mm]									
50	M 6	28	22,0	26	10	-30	80	21,0	24750.0330
50	M 6	38	22,0	26	10	-30	80	23,0	24750.0340
50	M 8	18	22,0	26	10	-30	80	26,0	24750.0350
50	M 8	23	22,0	26	10	-30	80	27,0	24750.0360
50	M 8	28	22,0	26	10	-30	80	29,0	24750.0370
50	M 8	38	22,0	26	10	-30	80	32,0	24750.0380
50	M 8	48	22,0	26	10	-30	80	35,0	24750.0390
62	M 8	18	22,0	35	13	-30	80	40,0	24750.0400
62	M 8	23	22,0	35	13	-30	80	41,0	24750.0410
62	M 8	28	22,0	35	13	-30	80	43,0	24750.0420
62	M 8	38	22,0	35	13	-30	80	46,0	24750.0430
62	M 8	48	22,0	35	13	-30	80	49,0	24750.0440
62	M10	23	22,0	35	13	-30	80	51,0	24750.0450
62	M10	28	22,0	35	13	-30	80	54,0	24750.0460
62	M10	38	22,0	35	13	-30	80	59,0	24750.0470
62	M10	48	22,0	35	13	-30	80	64,0	24750.0480
62	M10	58	22,0	35	13	-30	80	69,0	24750.0490
bianco									
30	M 4	10	14,0	19	7	-30	80	6,1	24750.0101
30	M 4	14	14,0	19	7	-30	80	6,6	24750.0111
30	M 4	18	14,0	19	7	-30	80	6,9	24750.0121
30	M 4	23	14,0	19	7	-30	80	7,3	24750.0131
30	M 4	28	14,0	19	7	-30	80	7,7	24750.0141
30	M 5	10	14,0	19	7	-30	80	7,5	24750.0151
30	M 5	14	14,0	19	7	-30	80	7,9	24750.0161
30	M 5	18	14,0	19	7	-30	80	8,4	24750.0171
30	M 5	23	14,0	19	7	-30	80	9,0	24750.0181
30	M 5	28	14,0	19	7	-30	80	9,0	24750.0191
40	M 5	10	16,5	22	9	-30	80	9,6	24750.0201
40	M 5	14	16,5	22	9	-30	80	10,0	24750.0211
40	M 5	18	16,5	22	9	-30	80	11,0	24750.0221
40	M 5	23	16,5	22	9	-30	80	12,0	24750.0231
40	M 5	28	16,5	22	9	-30	80	12,0	24750.0241
40	M 6	14	16,5	22	9	-30	80	12,0	24750.0251
40	M 6	18	16,5	22	9	-30	80	13,0	24750.0261
40	M 6	23	16,5	22	9	-30	80	14,0	24750.0271
40	M 6	28	16,5	22	9	-30	80	15,0	24750.0281
40	M 6	38	16,5	22	9	-30	80	16,0	24750.0291
50	M 6	14	22,0	26	10	-30	80	19,0	24750.0301
50	M 6	18	22,0	26	10	-30	80	19,0	24750.0311
50	M 6	23	22,0	26	10	-30	80	20,0	24750.0321
50	M 6	28	22,0	26	10	-30	80	21,0	24750.0331
50	M 6	38	22,0	26	10	-30	80	23,0	24750.0341
50	M 8	18	22,0	26	10	-30	80	26,0	24750.0351
50	M 8	23	22,0	26	10	-30	80	27,0	24750.0361
50	M 8	28	22,0	26	10	-30	80	29,0	24750.0371
50	M 8	38	22,0	26	10	-30	80	32,0	24750.0381
50	M 8	48	22,0	26	10	-30	80	35,0	24750.0391
62	M 8	18	22,0	35	13	-30	80	40,0	24750.0401
62	M 8	23	22,0	35	13	-30	80	41,0	24750.0411
62	M 8	28	22,0	35	13	-30	80	43,0	24750.0421
62	M 8	38	22,0	35	13	-30	80	46,0	24750.0431
62	M 8	48	22,0	35	13	-30	80	49,0	24750.0441
62	M10	23	22,0	35	13	-30	80	51,0	24750.0451
62	M10	28	22,0	35	13	-30	80	54,0	24750.0461
62	M10	38	22,0	35	13	-30	80	59,0	24750.0471
62	M10	48	22,0	35	13	-30	80	64,0	24750.0481
62	M10	58	22,0	35	13	-30	80	69,0	24750.0491
arancio									
30	M 4	10	14,0	19	7	-30	80	6,1	24750.0102
30	M 4	14	14,0	19	7	-30	80	6,6	24750.0112
30	M 4	18	14,0	19	7	-30	80	6,9	24750.0122

Dimensioni						 min. max. [°C]		 [g]	Codice
d ₁	d ₂	l	d ₃	l ₁	l ₂				
[mm]									
30	M 4	23	14,0	19	7	-30	80	7,3	24750.0132
30	M 4	28	14,0	19	7	-30	80	7,7	24750.0142
30	M 5	10	14,0	19	7	-30	80	7,5	24750.0152
30	M 5	14	14,0	19	7	-30	80	7,9	24750.0162
30	M 5	18	14,0	19	7	-30	80	8,4	24750.0172
30	M 5	23	14,0	19	7	-30	80	9,0	24750.0182
30	M 5	28	14,0	19	7	-30	80	9,0	24750.0192
40	M 5	10	16,5	22	9	-30	80	9,6	24750.0202
40	M 5	14	16,5	22	9	-30	80	10,0	24750.0212
40	M 5	18	16,5	22	9	-30	80	11,0	24750.0222
40	M 5	23	16,5	22	9	-30	80	12,0	24750.0232
40	M 5	28	16,5	22	9	-30	80	12,0	24750.0242
40	M 6	14	16,5	22	9	-30	80	12,0	24750.0252
40	M 6	18	16,5	22	9	-30	80	13,0	24750.0262
40	M 6	23	16,5	22	9	-30	80	14,0	24750.0272
40	M 6	28	16,5	22	9	-30	80	15,0	24750.0282
40	M 6	38	16,5	22	9	-30	80	16,0	24750.0292
50	M 6	14	22,0	26	10	-30	80	19,0	24750.0302
50	M 6	18	22,0	26	10	-30	80	19,0	24750.0312
50	M 6	23	22,0	26	10	-30	80	20,0	24750.0322
50	M 6	28	22,0	26	10	-30	80	21,0	24750.0332
50	M 6	38	22,0	26	10	-30	80	23,0	24750.0342
50	M 8	18	22,0	26	10	-30	80	26,0	24750.0352
50	M 8	23	22,0	26	10	-30	80	27,0	24750.0362
50	M 8	28	22,0	26	10	-30	80	29,0	24750.0372
50	M 8	38	22,0	26	10	-30	80	32,0	24750.0382
50	M 8	48	22,0	26	10	-30	80	35,0	24750.0392
62	M 8	18	22,0	35	13	-30	80	40,0	24750.0402
62	M 8	23	22,0	35	13	-30	80	41,0	24750.0412
62	M 8	28	22,0	35	13	-30	80	43,0	24750.0422
62	M 8	38	22,0	35	13	-30	80	46,0	24750.0432
62	M 8	48	22,0	35	13	-30	80	49,0	24750.0442
62	M10	23	22,0	35	13	-30	80	51,0	24750.0452
62	M10	28	22,0	35	13	-30	80	54,0	24750.0462
62	M10	38	22,0	35	13	-30	80	59,0	24750.0472
62	M10	48	22,0	35	13	-30	80	64,0	24750.0482
62	M10	58	22,0	35	13	-30	80	69,0	24750.0492
giallo									
30	M 4	10	14,0	19	7	-30	80	6,1	24750.0103
30	M 4	14	14,0	19	7	-30	80	6,6	24750.0113
30	M 4	18	14,0	19	7	-30	80	6,9	24750.0123
30	M 4	23	14,0	19	7	-30	80	7,3	24750.0133
30	M 4	28	14,0	19	7	-30	80	7,7	24750.0143
30	M 5	10	14,0	19	7	-30	80	7,5	24750.0153
30	M 5	14	14,0	19	7	-30	80	7,9	24750.0163
30	M 5	18	14,0	19	7	-30	80	8,4	24750.0173
30	M 5	23	14,0	19	7	-30	80	9,0	24750.0183
30	M 5	28	14,0	19	7	-30	80	9,0	24750.0193
40	M 5	10	16,5	22	9	-30	80	9,6	24750.0203
40	M 5	14	16,5	22	9	-30	80	10,0	24750.0213
40	M 5	18	16,5	22	9	-30	80	11,0	24750.0223
40	M 5	23	16,5	22	9	-30	80	12,0	24750.0233
40	M 5	28	16,5	22	9	-30	80	12,0	24750.0243
40	M 6	14	16,5	22	9	-30	80	12,0	24750.0253
40	M 6	18	16,5	22	9	-30	80	13,0	24750.0263
40	M 6	23	16,5	22	9	-30	80	14,0	24750.0273
40	M 6	28	16,5	22	9	-30	80	15,0	24750.0283
40	M 6	38	16,5	22	9	-30	80	16,0	24750.0293
50	M 6	14	22,0	26	10	-30	80	19,0	24750.0303
50	M 6	18	22,0	26	10	-30	80	19,0	24750.0313
50	M 6	23	22,0	26	10	-30	80	20,0	24750.0323
50	M 6	28	22,0	26	10	-30	80	21,0	24750.0333

Dimensioni						 min. max.		 [g]	Codice
d ₁	d ₂	l	d ₃	l ₁	l ₂	 [°C]			
			[mm]						
50	M 6	38	22,0	26	10	-30	80	23,0	24750.0343
50	M 8	18	22,0	26	10	-30	80	26,0	24750.0353
50	M 8	23	22,0	26	10	-30	80	27,0	24750.0363
50	M 8	28	22,0	26	10	-30	80	29,0	24750.0373
50	M 8	38	22,0	26	10	-30	80	32,0	24750.0383
50	M 8	48	22,0	26	10	-30	80	35,0	24750.0393
62	M 8	18	22,0	35	13	-30	80	40,0	24750.0403
62	M 8	23	22,0	35	13	-30	80	41,0	24750.0413
62	M 8	28	22,0	35	13	-30	80	43,0	24750.0423
62	M 8	38	22,0	35	13	-30	80	46,0	24750.0433
62	M 8	48	22,0	35	13	-30	80	49,0	24750.0443
62	M10	23	22,0	35	13	-30	80	51,0	24750.0453
62	M10	28	22,0	35	13	-30	80	54,0	24750.0463
62	M10	38	22,0	35	13	-30	80	59,0	24750.0473
62	M10	48	22,0	35	13	-30	80	64,0	24750.0483
62	M10	58	22,0	35	13	-30	80	69,0	24750.0493
blu									
30	M 4	10	14,0	19	7	-30	80	6,1	24750.0104
30	M 4	14	14,0	19	7	-30	80	6,6	24750.0114
30	M 4	18	14,0	19	7	-30	80	6,9	24750.0124
30	M 4	23	14,0	19	7	-30	80	7,3	24750.0134
30	M 4	28	14,0	19	7	-30	80	7,7	24750.0144
30	M 5	10	14,0	19	7	-30	80	7,5	24750.0154
30	M 5	14	14,0	19	7	-30	80	7,9	24750.0164
30	M 5	18	14,0	19	7	-30	80	8,4	24750.0174
30	M 5	23	14,0	19	7	-30	80	9,0	24750.0184
30	M 5	28	14,0	19	7	-30	80	9,0	24750.0194
40	M 5	10	16,5	22	9	-30	80	9,6	24750.0204
40	M 5	14	16,5	22	9	-30	80	10,0	24750.0214
40	M 5	18	16,5	22	9	-30	80	11,0	24750.0224
40	M 5	23	16,5	22	9	-30	80	12,0	24750.0234
40	M 5	28	16,5	22	9	-30	80	12,0	24750.0244
40	M 6	14	16,5	22	9	-30	80	12,0	24750.0254
40	M 6	18	16,5	22	9	-30	80	13,0	24750.0264
40	M 6	23	16,5	22	9	-30	80	14,0	24750.0274
40	M 6	28	16,5	22	9	-30	80	15,0	24750.0284
40	M 6	38	16,5	22	9	-30	80	16,0	24750.0294
50	M 6	14	22,0	26	10	-30	80	19,0	24750.0304
50	M 6	18	22,0	26	10	-30	80	19,0	24750.0314
50	M 6	23	22,0	26	10	-30	80	20,0	24750.0324
50	M 6	28	22,0	26	10	-30	80	21,0	24750.0334
50	M 6	38	22,0	26	10	-30	80	23,0	24750.0344
50	M 8	18	22,0	26	10	-30	80	26,0	24750.0354
50	M 8	23	22,0	26	10	-30	80	27,0	24750.0364
50	M 8	28	22,0	26	10	-30	80	29,0	24750.0374
50	M 8	38	22,0	26	10	-30	80	32,0	24750.0384
50	M 8	48	22,0	26	10	-30	80	35,0	24750.0394
62	M 8	18	22,0	35	13	-30	80	40,0	24750.0404
62	M 8	23	22,0	35	13	-30	80	41,0	24750.0414
62	M 8	28	22,0	35	13	-30	80	43,0	24750.0424
62	M 8	38	22,0	35	13	-30	80	46,0	24750.0434
62	M 8	48	22,0	35	13	-30	80	49,0	24750.0444
62	M10	23	22,0	35	13	-30	80	51,0	24750.0454
62	M10	28	22,0	35	13	-30	80	54,0	24750.0464
62	M10	38	22,0	35	13	-30	80	59,0	24750.0474
62	M10	48	22,0	35	13	-30	80	64,0	24750.0484
62	M10	58	22,0	35	13	-30	80	69,0	24750.0494

Esempio di applicazione



Conformità

Conforme alla normativa RoHS

Conforme alla Direttiva 2011/65/UE e alla Direttiva 2015/863.

Non contiene sostanze SVHC

Nessuna sostanza SVHC con più dello 0,1% p/p contenuto - elenco SVHC [REACH] aggiornato al 23.01.2024.

Non contiene sostanze della Proposition 65

Nessuna sostanza contemplata nella Proposition 65

<https://www.P65Warnings.ca.gov/>

Privo di minerali di conflitto

Questo prodotto non contiene sostanze designate come "minerali da conflitto" come tantalio, stagno, oro o tungsteno della Repubblica Democratica del Congo o dei paesi limitrofi.