

## Barre EH 24350.



### Descrizione prodotto

#### Materiale

##### Barre

- Acciaio, zincato e passivato
- Acciaio inox 1.4305, sabbato opaco

##### Pomello

- Plastica PF 31, nera, DIN 319

##### Impugnatura cilindrica

- Termoplastica (PF 31), nera

### Disegno

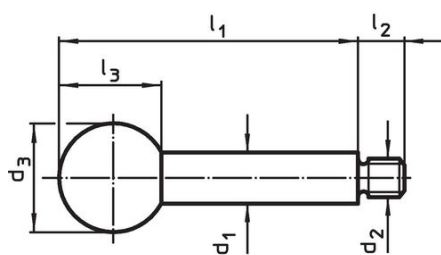


fig. 1

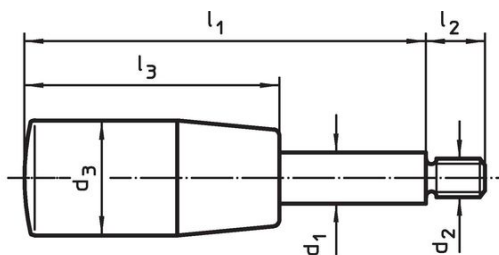


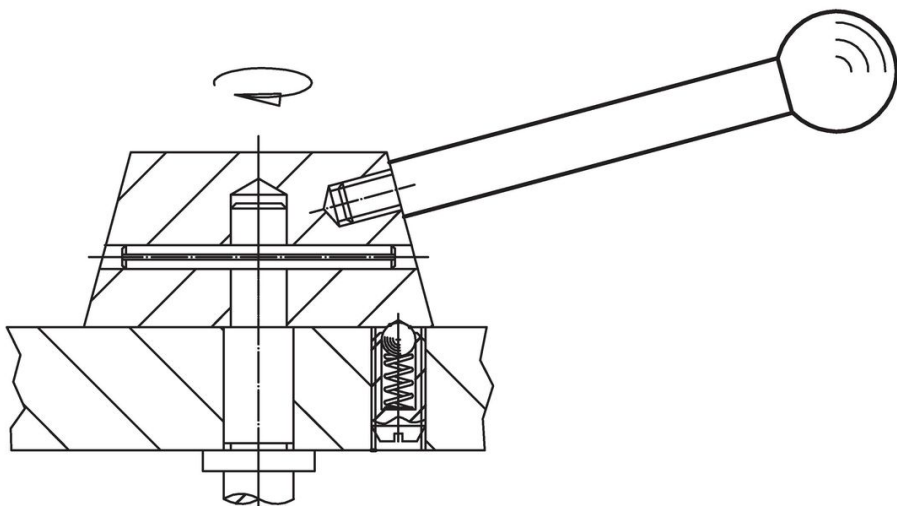
fig. 2

### Caratteristiche

Dimensioni						max. [°C]	[g]	Codice
d <sub>1</sub>	l <sub>1</sub>	d <sub>2</sub>	d <sub>3</sub>	l <sub>2</sub>	l <sub>3</sub>			
[mm]								
<b>Con pomello sferico – Fig. 1, Acciaio</b>								
8	63	M 6	20	9	18,0	110	30	<a href="#">24350.0020</a>
8	80	M 6	20	9	18,0	110	34	<a href="#">24350.0022</a>
8	100	M 6	20	9	18,0	110	39	<a href="#">24350.0024</a>
10	80	M 8	25	11	22,5	110	50	<a href="#">24350.0030</a>
10	100	M 8	25	11	22,5	110	62	<a href="#">24350.0032</a>
10	125	M 8	25	11	22,5	110	76	<a href="#">24350.0034</a>
12	100	M10	32	14	29,0	110	96	<a href="#">24350.0040</a>
12	125	M10	32	14	29,0	110	118	<a href="#">24350.0042</a>
12	160	M10	32	14	29,0	110	149	<a href="#">24350.0044</a>
14	125	M12	35	16	32,5	110	157	<a href="#">24350.0050</a>
14	160	M12	35	16	32,5	110	203	<a href="#">24350.0052</a>
14	200	M12	35	16	32,5	110	251	<a href="#">24350.0054</a>
16	160	M14	40	18	37,0	110	310	<a href="#">24350.0060</a>
16	200	M14	40	18	37,0	110	326	<a href="#">24350.0062</a>
16	250	M14	40	18	37,0	110	397	<a href="#">24350.0064</a>
<b>Con impugnatura cilindrica – Fig. 2, Acciaio</b>								
8	63	M 6	18	9	40,0	110	26	<a href="#">24350.0120</a>
8	80	M 6	18	9	40,0	110	33	<a href="#">24350.0122</a>
8	100	M 6	18	9	40,0	110	42	<a href="#">24350.0124</a>
10	80	M 8	21	11	50,0	110	50	<a href="#">24350.0130</a>
10	100	M 8	21	11	50,0	110	62	<a href="#">24350.0132</a>
10	125	M 8	21	11	50,0	110	78	<a href="#">24350.0134</a>
12	100	M10	23	14	65,0	110	81	<a href="#">24350.0140</a>
12	125	M10	23	14	65,0	110	103	<a href="#">24350.0142</a>
12	160	M10	23	14	65,0	110	133	<a href="#">24350.0144</a>
14	125	M12	26	16	80,0	110	125	<a href="#">24350.0150</a>
14	160	M12	26	16	80,0	110	168	<a href="#">24350.0152</a>

Dimensioni						max. [°C]	[g]	Codice
d <sub>1</sub>	l <sub>1</sub>	d <sub>2</sub> [mm]	d <sub>3</sub> [mm]	l <sub>2</sub>	l <sub>3</sub>			
14	200	M12	26	16	80,0	110	216	<a href="#">24350.0154</a>
16	160	M14	28	18	90,0	110	214	<a href="#">24350.0160</a>
16	200	M14	28	18	90,0	110	273	<a href="#">24350.0162</a>
16	250	M14	28	18	90,0	110	352	<a href="#">24350.0164</a>
<b>Con pomello sferico – Fig. 1, acciaio inox</b>								
8	63	M 6	20	9	18,0	110	30	<a href="#">24350.0520</a>
8	80	M 6	20	9	18,0	110	34	<a href="#">24350.0522</a>
8	100	M 6	20	9	18,0	110	39	<a href="#">24350.0524</a>
10	80	M 8	25	11	22,5	110	50	<a href="#">24350.0530</a>
10	100	M 8	25	11	22,5	110	62	<a href="#">24350.0532</a>
10	125	M 8	25	11	22,5	110	76	<a href="#">24350.0534</a>
12	100	M10	32	14	29,0	110	96	<a href="#">24350.0540</a>
12	125	M10	32	14	29,0	110	118	<a href="#">24350.0542</a>
12	160	M10	32	14	29,0	110	149	<a href="#">24350.0544</a>
14	125	M12	35	16	32,5	110	157	<a href="#">24350.0550</a>
14	160	M12	35	16	32,5	110	203	<a href="#">24350.0552</a>
14	200	M12	35	16	32,5	110	251	<a href="#">24350.0554</a>
<b>Con impugnatura cilindrica – Fig. 2, acciaio inox</b>								
8	63	M 6	18	9	40,0	110	26	<a href="#">24350.0620</a>
8	80	M 6	18	9	40,0	110	33	<a href="#">24350.0622</a>
8	100	M 6	18	9	40,0	110	42	<a href="#">24350.0624</a>
10	80	M 8	21	11	50,0	110	50	<a href="#">24350.0630</a>
10	100	M 8	21	11	50,0	110	62	<a href="#">24350.0632</a>
10	125	M 8	21	11	50,0	110	78	<a href="#">24350.0634</a>
12	100	M10	23	14	65,0	110	81	<a href="#">24350.0640</a>
12	125	M10	23	14	65,0	110	103	<a href="#">24350.0642</a>
12	160	M10	23	14	65,0	110	133	<a href="#">24350.0644</a>
14	125	M12	26	16	80,0	110	125	<a href="#">24350.0650</a>
14	160	M12	26	16	80,0	110	168	<a href="#">24350.0652</a>
14	200	M12	26	16	80,0	110	216	<a href="#">24350.0654</a>

### Esempio di applicazione



### Conformità

Per informazioni dettagliate sulla conformità selezionare il numero di articolo desiderato.