

Centraggi • con profilo arrotondato EH 22630.



Descrizione prodotto

Il profilo arrotondato dei centraggi ne favorisce l'inserimento nei fori di riferimento dei pezzi, evitando l'interferenza di spigoli vivi.

Materiale

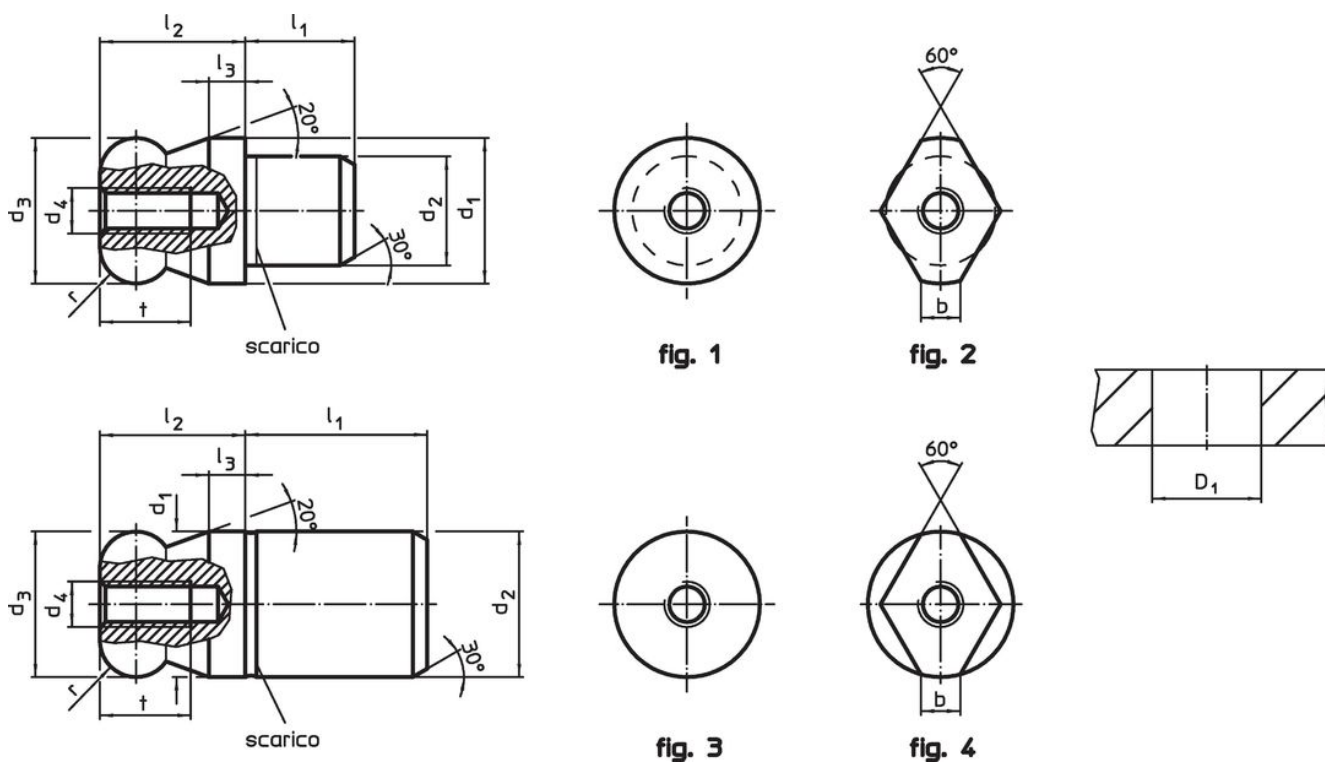
- Acciaio da utensili, temperato, rettificato e brunito
- Acciaio inox 1.4305 lavorato, superfici bonificate

Maggiori informazioni

Altri prodotti


- Centraggi, DIN 6321
- Centraggi, con filetto, dim. come DIN 6321

Disegno



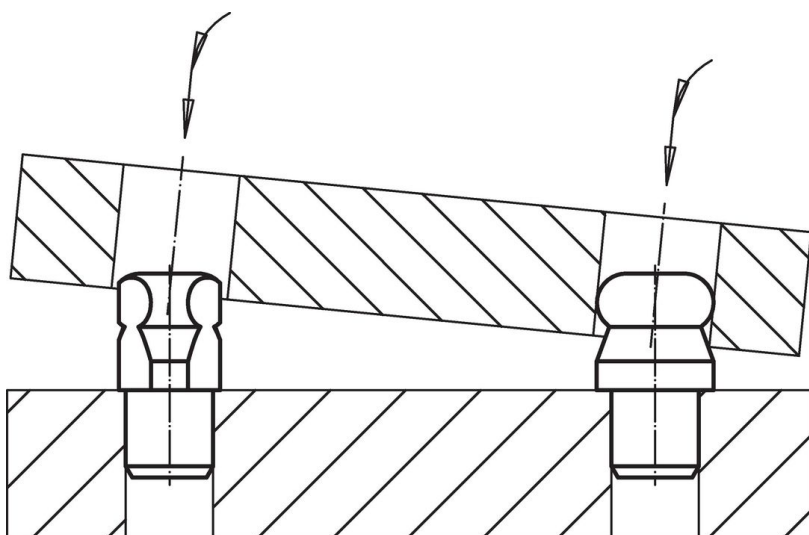
Caratteristiche

d ₁ g6	d ₂ n6	d ₃ -0,01 -0,05	d ₄	l ₁	Dimensioni					b	Foro di ricezione D ₁ H7 [mm]	[g]	Codice
					l ₂	l ₃	t	r	[mm]				
Profilo arrotondato circolare – Fig. 1, Acciaio													
6	4	6	M2,5	4	6	2,0	4,5	1,0	–	4	1,8	22630.0306	
8	6	8	M3	6	8	2,0	6,0	2,0	–	6	3,9	22630.0308	
10	7	10	M3	7	10	2,5	6,0	2,5	–	7	6,7	22630.0310	
12	8	12	M4	8	12	3,0	8,0	3,0	–	8	11,0	22630.0312	
14	10	14	M4	10	14	3,5	8,0	3,5	–	10	20,0	22630.0314	
16	12	16	M5	12	16	4,0	10,0	4,0	–	12	31,0	22630.0316	
20	14	20	M5	14	20	5,0	10,0	5,0	–	14	58,0	22630.0320	
22	16	22	M5	16	22	5,5	10,0	5,5	–	16	81,0	22630.0322	
25	18	25	M5	18	25	6,0	10,0	6,0	–	18	118,0	22630.0325	

d ₁ g6	d ₂ n6	d ₃ -0,01 -0,05	Dimensioni							t	r	b	Foro di ricezione D ₁ H7 [mm]	 [g]	Codice
			d ₄	l ₁	l ₂	l ₃	[mm]								
Profilo arrotondato circolare – Fig. 1, acciaio inox															
6	4	6	M2,5	4	6	2,0	4,5	1,0	–	4	1,8	22630.0346			
8	6	8	M3	6	8	2,0	6,0	2,0	–	6	4,0	22630.0348			
10	7	10	M3	7	10	2,5	6,0	2,5	–	7	6,7	22630.0350			
12	8	12	M4	8	12	3,0	8,0	3,0	–	8	11,0	22630.0352			
14	10	14	M4	10	14	3,5	8,0	3,5	–	10	20,0	22630.0354			
16	12	16	M5	12	16	4,0	10,0	4,0	–	12	31,0	22630.0356			
20	14	20	M5	14	20	5,0	10,0	5,0	–	14	58,0	22630.0360			
Profilo arrotondato a ogiva – Fig. 2, Acciaio															
6	4	6	M2,5	4	6	2,0	4,5	1,0	1,70	4	1,5	22630.0406			
8	6	8	M3	6	8	2,0	6,0	2,0	2,00	6	3,2	22630.0408			
10	7	10	M3	7	10	2,5	6,0	2,5	2,50	7	5,3	22630.0410			
12	8	12	M4	8	12	3,0	8,0	3,0	2,50	8	8,0	22630.0412			
14	10	14	M4	10	14	3,5	8,0	3,5	3,76	10	16,0	22630.0414			
16	12	16	M5	12	16	4,0	10,0	4,0	4,30	12	25,0	22630.0416			
20	14	20	M5	14	20	5,0	10,0	5,0	5,00	14	46,0	22630.0420			
22	16	22	M5	16	22	5,5	10,0	5,5	5,00	16	63,0	22630.0422			
25	18	25	M5	18	25	6,0	10,0	6,0	5,60	18	92,0	22630.0425			
Profilo arrotondato a ogiva – Fig. 2, acciaio inox															
6	4	6	M2,5	4	6	2,0	4,5	1,0	1,70	4	1,5	22630.0446			
8	6	8	M3	6	8	2,0	6,0	2,0	2,00	6	3,2	22630.0448			
10	7	10	M3	7	10	2,5	6,0	2,5	2,50	7	5,3	22630.0450			
12	8	12	M4	8	12	3,0	8,0	3,0	2,50	8	8,0	22630.0452			
14	10	14	M4	10	14	3,5	8,0	3,5	3,76	10	16,0	22630.0454			
16	12	16	M5	12	16	4,0	10,0	4,0	4,30	12	25,0	22630.0456			
20	14	20	M5	14	20	5,0	10,0	5,0	5,00	14	46,0	22630.0460			
Profilo arrotondato circolare senza ribasso – Fig. 3, Acciaio															
5	5	5	M2,5	6	5	2,0	4,5	1,0	–	5	2,4	22630.0505			
6	6	6	M3	8	6	2,0	5,0	1,0	–	6	2,9	22630.0506			
8	8	8	M3	10	8	2,0	6,0	2,0	–	8	6,0	22630.0508			
10	10	10	M3	13	10	2,5	6,0	2,5	–	10	12,0	22630.0510			
12	12	12	M4	15	12	3,0	8,0	3,0	–	12	21,0	22630.0512			
14	14	14	M4	17	14	3,5	8,0	3,5	–	14	34,0	22630.0514			
16	16	16	M5	20	16	4,0	10,0	4,0	–	16	51,0	22630.0516			
20	20	20	M5	25	20	5,0	10,0	5,0	–	20	101,0	22630.0520			
25	25	25	M5	25	25	6,0	10,0	6,0	–	25	176,0	22630.0525			
30	30	30	M6	30	30	8,0	12,0	8,0	–	30	307,0	22630.0530			
40	40	40	M6	40	40	10,0	12,0	10,0	–	40	729,0	22630.0540			
50	50	50	M6	50	50	12,0	12,0	12,0	–	50	1422,0	22630.0550			
Profilo arrotondato circolare senza ribasso – Fig. 3, acciaio inox															
5	5	5	M2,5	6	5	2,0	4,5	1,0	–	5	1,8	22630.0565			
6	6	6	M3	8	6	2,0	5,0	1,0	–	6	3,4	22630.0566			
8	8	8	M3	10	8	2,0	6,0	2,0	–	8	6,0	22630.0568			
10	10	10	M3	13	10	2,5	6,0	2,5	–	10	12,0	22630.0570			
12	12	12	M4	15	12	3,0	8,0	3,0	–	12	21,0	22630.0572			
14	14	14	M4	17	14	3,5	8,0	3,5	–	14	34,0	22630.0574			
16	16	16	M5	20	16	4,0	10,0	4,0	–	16	51,0	22630.0576			
20	20	20	M5	25	20	5,0	10,0	5,0	–	20	101,0	22630.0580			
Profilo arrotondato a ogiva senza ribasso – Fig. 4, Acciaio															
5	5	5	M2,5	6	5	2,0	4,5	1,0	1,50	5	1,2	22630.0605			
6	6	6	M3	8	6	2,0	5,0	1,0	1,80	6	3,1	22630.0606			
8	8	8	M3	10	8	2,0	6,0	2,0	1,90	8	5,0	22630.0608			
10	10	10	M3	13	10	2,5	6,0	2,5	2,50	10	11,0	22630.0610			
12	12	12	M4	15	12	3,0	8,0	3,0	2,50	12	17,0	22630.0612			
14	14	14	M4	17	14	3,5	8,0	3,5	3,90	14	30,0	22630.0614			
16	16	16	M5	20	16	4,0	10,0	4,0	4,30	16	44,0	22630.0616			
20	20	20	M5	25	20	5,0	10,0	5,0	5,00	20	88,0	22630.0620			

d ₁ g6	d ₂ n6	d ₃ -0,01 -0,05	d ₄	Dimensioni						Foro di ricezione D ₁ H7 [mm]	[g]	Codice
				l ₁	l ₂	l ₃	t	r	b			
[mm]												
25	25	25	M5	25	25	6,0	10,0	6,0	5,60	25	149,0	22630.0625
30	30	30	M6	30	30	8,0	12,0	8,0	8,80	30	270,0	22630.0630
40	40	40	M6	40	40	10,0	12,0	10,0	12,80	40	657,0	22630.0640
50	50	50	M6	50	50	12,0	12,0	12,0	16,70	50	1243,0	22630.0650
Profilo arrotondato a ogiva senza ribasso – Fig. 4, acciaio inox												
5	5	5	M2,5	6	5	2,0	4,5	1,0	1,50	5	1,1	22630.0665
6	6	6	M3	8	6	2,0	5,0	1,0	1,80	6	2,3	22630.0666
8	8	8	M3	10	8	2,0	6,0	2,0	1,90	8	5,0	22630.0668
10	10	10	M3	13	10	2,5	6,0	2,5	2,50	10	11,0	22630.0670
12	12	12	M4	15	12	3,0	8,0	3,0	2,50	12	17,0	22630.0672
14	14	14	M4	17	14	3,5	8,0	3,5	3,90	14	30,0	22630.0674
16	16	16	M5	20	16	4,0	10,0	4,0	4,30	16	44,0	22630.0676
20	20	20	M5	25	20	5,0	10,0	5,0	5,00	20	88,0	22630.0680

Esempio di applicazione



Conformità

Conforme alla normativa RoHS

Conforme alla Direttiva 2011/65/UE e alla Direttiva 2015/863.

Non contiene sostanze SVHC

Nessuna sostanza SVHC con più dello 0,1% p/p contenuto - elenco SVHC [REACH] aggiornato al 27.06.2024.

Non contiene sostanze della Proposition 65

Nessuna sostanza contemplata nella Proposition 65

<https://www.P65Warnings.ca.gov/>

Privo di minerali di conflitto

Questo prodotto non contiene sostanze designate come "minerali da conflitto" come tantalio, stagno, oro o tungsteno della Repubblica Democratica del Congo o dei paesi limitrofi.