

Piatelli livellanti • con copertura in gomma antiscivolo

EH 22590.



Descrizione prodotto

I piatelli livellanti sono utilizzabili come piedi di appoggio o come piatelli di spinta. Angolo di compensazione per superfici non parallele fino a 15°. La copertura di plastica sul piattello impedisce lo scivolamento

Materiale

Snodo sferico

- Acciaio automatico temperato a induzione
- Acciaio inox 1.4305

Snodo sferico con perno

- Acciaio da bonifica, brunito
- Acciaio inox 1.4305

Tappo di gomma

- Gomma, nero

Dado

- Acciaio, brunito, ISO 4032
- Acciaio, brunito, DIN 934
- Acciaio inox A2, ISO 4032
- Acciaio inox A2, DIN 934

Piatto

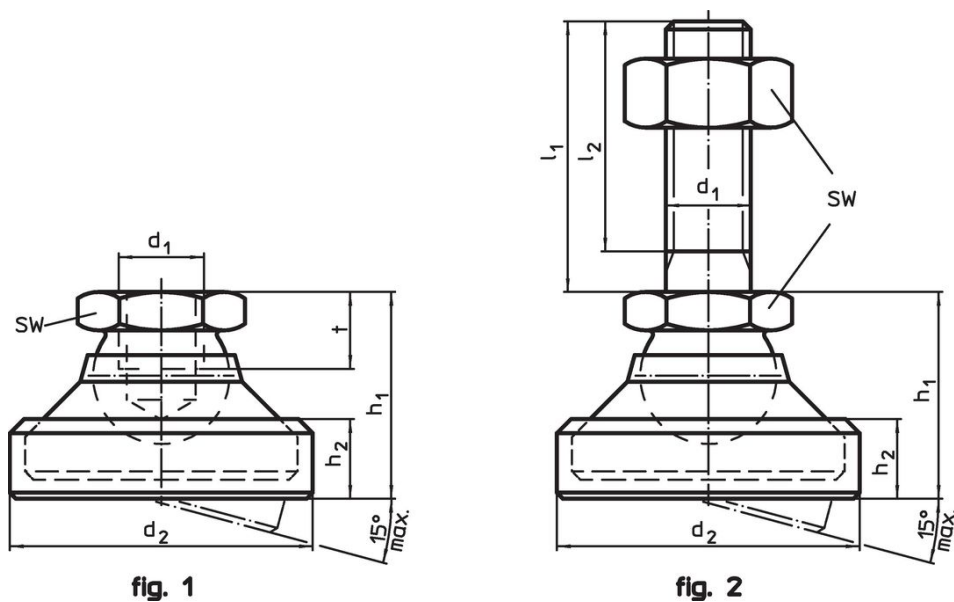
- Acciaio bonificato, brunito
- Acciaio inox 1.4305
- Termoplastica POM, bianca

Maggiori informazioni

Note


Per le versioni $d_1 = M10$ e $M12$ il controdado è conforme alla DIN 934.

Disegno



Caratteristiche

d_1	l_1	d_2	Dimensioni				SW	Carico solo statico max.	[g]	Codice
			l_2	h_1	h_2	t				
[mm]										
Piatto e snodo sferico in acciaio – Fig. 1, Acciaio bonificato										
M 6	–	22,5	–	16,5	6,4	5,0	10	10	19,0	22590.1006
M 8	–	28,0	–	20,6	8,3	7,0	13	18	40,0	22590.1008
M10	–	36,0	–	26,0	11,0	9,0	17	20	80,0	22590.1010
M12	–	45,0	–	30,5	13,2	11,0	19	35	126,0	22590.1012
M16	–	56,0	–	37,5	15,5	13,5	24	45	241,0	22590.1016
M20	–	67,0	–	49,5	19,5	17,0	30	55	480,0	22590.1020
M24	–	69,0	–	55,0	24,0	19,0	36	65	554,0	22590.1024

d ₁	l ₁	d ₂	Dimensioni				t	SW [mm]	Carico solo statico max. [kN]	 [g]	Codice
			l ₂	h ₁ ~	h ₂	[mm]					
Piatto e snodo sferico in acciaio – Fig. 1, acciaio inox											
M 6	–	22,5	–	16,5	6,4	5,0	10	8	17,0	22590.1206	
M 8	–	28,0	–	20,6	8,3	7,0	13	14	36,0	22590.1208	
M10	–	36,0	–	26,0	11,0	9,0	17	16	74,0	22590.1210	
M12	–	45,0	–	30,5	13,2	11,0	19	28	123,0	22590.1212	
M16	–	56,0	–	37,5	15,5	13,5	24	36	241,0	22590.1216	
M20	–	67,0	–	49,5	19,5	17,0	30	44	500,0	22590.1220	
M24	–	69,0	–	55,0	24,0	19,0	36	52	517,0	22590.1224	
Piatto in plastica snodo sferico in inox – Fig. 1, Termoplastica											
M 6	–	22,5	–	16,5	6,4	5,0	10	4	7,8	22590.1106	
M 8	–	28,0	–	20,6	8,3	7,0	13	7	17,0	22590.1108	
M10	–	36,0	–	26,0	11,0	9,0	17	10	34,0	22590.1110	
M12	–	45,0	–	30,5	13,2	11,0	19	18	57,0	22590.1112	
M16	–	56,0	–	37,5	15,5	13,5	24	20	96,0	22590.1116	
M20	–	67,0	–	49,5	19,5	17,0	30	22	190,0	22590.1120	
M24	–	69,0	–	55,0	24,0	19,0	36	25	240,0	22590.1124	
Piatto e snodo sferico con perno in acciaio – Fig. 2, Acciaio bonificato											
M 6	60	22,5	57,0	16,5	6,4	–	10	10	32,0	22590.1410	
M 8	80	28,0	76,0	20,6	8,3	–	13	18	69,0	22590.1422	
M10	100	36,0	95,5	26,0	11,0	–	17	20	139,0	22590.1438	
M10	150	36,0	145,5	26,0	11,0	–	17	20	165,0	22590.1442	
M12	100	45,0	94,5	30,5	13,2	–	19	35	252,0	22590.1452	
M12	150	45,0	144,5	30,5	13,2	–	19	35	258,0	22590.1456	
M16	100	56,0	94,0	37,5	15,5	–	24	45	440,0	22590.1468	
M16	200	56,0	194,0	37,5	15,5	–	24	45	600,0	22590.1472	
M20	100	67,0	92,5	49,5	19,5	–	30	55	762,0	22590.1482	
M20	200	67,0	192,5	49,5	19,5	–	30	55	1080,0	22590.1488	
M24	100	69,0	91,0	55,0	24,0	–	36	65	1020,0	22590.1495	
M24	200	69,0	191,0	55,0	24,0	–	36	65	1287,0	22590.1498	
Piatto e snodo sferico con perno in acciaio – Fig. 2, acciaio inox											
M 6	60	22,5	57,0	16,5	6,4	–	10	8	30,0	22590.1610	
M 8	80	28,0	76,0	20,6	8,3	–	13	14	71,0	22590.1622	
M10	100	36,0	95,5	26,0	11,0	–	17	16	150,0	22590.1638	
M10	150	36,0	145,5	26,0	11,0	–	17	16	169,0	22590.1642	
M12	100	45,0	94,5	30,5	13,2	–	19	28	227,0	22590.1652	
M12	150	45,0	144,5	30,5	13,2	–	19	28	258,0	22590.1656	
M16	100	56,0	94,0	37,5	15,5	–	24	36	441,0	22590.1668	
M16	200	56,0	194,0	37,5	15,5	–	24	36	630,0	22590.1672	
M20	100	67,0	92,5	49,5	19,5	–	30	44	762,0	22590.1682	
M20	200	67,0	192,5	49,5	19,5	–	30	44	1065,0	22590.1688	
M24	100	69,0	91,0	55,0	24,0	–	36	52	1000,0	22590.1695	
M24	200	69,0	191,0	55,0	24,0	–	36	52	1287,0	22590.1698	
Piatto in plastica snodo sferico con perno in inox – Fig. 2, Termoplastica											
M 6	60	22,5	57,0	16,5	6,4	–	10	4	21,0	22590.1510	
M 8	80	28,0	76,0	20,6	8,3	–	13	7	49,0	22590.1522	
M10	100	36,0	95,5	26,0	11,0	–	17	10	100,0	22590.1538	
M10	150	36,0	145,5	26,0	11,0	–	17	10	124,0	22590.1542	
M12	100	45,0	94,5	30,5	13,2	–	19	18	150,0	22590.1552	
M12	150	45,0	144,5	30,5	13,2	–	19	18	184,0	22590.1556	
M16	100	56,0	94,0	37,5	15,5	–	24	20	285,0	22590.1568	
M16	200	56,0	194,0	37,5	15,5	–	24	20	414,0	22590.1572	
M20	100	67,0	92,5	49,5	19,5	–	30	22	573,0	22590.1582	
M20	200	67,0	192,5	49,5	19,5	–	30	22	704,0	22590.1588	
M24	100	69,0	91,0	55,0	24,0	–	36	25	718,0	22590.1595	
M24	200	69,0	191,0	55,0	24,0	–	36	25	1016,0	22590.1598	

Conformità

Conforme alla normativa RoHS

Conforme alla Direttiva 2011/65/UE e alla Direttiva 2015/863.

Non contiene sostanze SVHC

Nessuna sostanza SVHC con più dello 0,1% p/p contenuto - elenco SVHC [REACH] aggiornato al 27.06.2024.

Non contiene sostanze della Proposition 65

Nessuna sostanza contemplata nella Proposition 65

<https://www.P65Warnings.ca.gov/>

Privo di minerali di conflitto

Questo prodotto non contiene sostanze designate come "minerali da conflitto" come tantalio, stagno, oro o tungsteno della Repubblica Democratica del Congo o dei paesi limitrofi.