

## Viti con impugnatura a stella · Plastica

EH 24750.



### Descrizione prodotto

#### Materiale

##### Coperchio

- Plastica PA, nero simile a RAL 9005
- Plastica PA, bianco simile a RAL 9019
- Plastica PA, arancio simile a RAL 2004
- Plastica PA, giallo simile a RAL 1016
- Plastica PA, azzurro simile a RAL 5015

##### Impugnatura

- Plastica PA 6, nero simile a RAL 9005

##### Vite

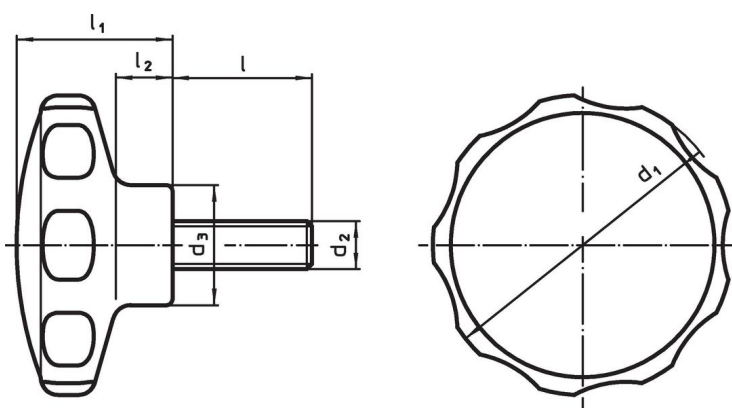
- acciaio inox

### Maggiori informazioni

#### Note

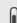

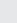
Esecuzioni speciali con altri fori o lunghezza a richiesta

### Disegno



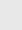


### Caratteristiche

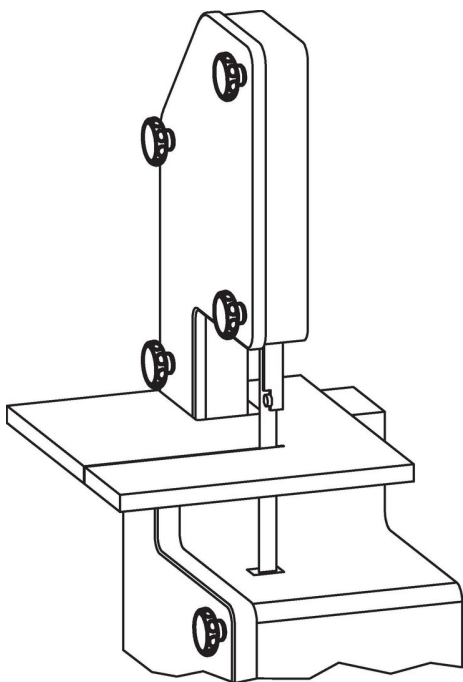
Dimensioni							min.  max.			Codice
d <sub>1</sub>	d <sub>2</sub>	l	d <sub>3</sub>	l <sub>1</sub>	l <sub>2</sub>	[°C]		[g]		
[mm]										
<b>nero</b>										
30	M 4	10	14,0	19	7	-30	80	6,1	<a href="#">24750.0100</a>	
30	M 4	14	14,0	19	7	-30	80	6,6	<a href="#">24750.0110</a>	
30	M 4	18	14,0	19	7	-30	80	6,9	<a href="#">24750.0120</a>	
30	M 4	23	14,0	19	7	-30	80	7,3	<a href="#">24750.0130</a>	
30	M 4	28	14,0	19	7	-30	80	7,7	<a href="#">24750.0140</a>	
30	M 5	10	14,0	19	7	-30	80	7,5	<a href="#">24750.0150</a>	
30	M 5	14	14,0	19	7	-30	80	7,9	<a href="#">24750.0160</a>	
30	M 5	18	14,0	19	7	-30	80	8,4	<a href="#">24750.0170</a>	
30	M 5	23	14,0	19	7	-30	80	9,0	<a href="#">24750.0180</a>	
30	M 5	28	14,0	19	7	-30	80	9,0	<a href="#">24750.0190</a>	
40	M 5	10	16,5	22	9	-30	80	9,6	<a href="#">24750.0200</a>	
40	M 5	14	16,5	22	9	-30	80	10,0	<a href="#">24750.0210</a>	
40	M 5	18	16,5	22	9	-30	80	11,0	<a href="#">24750.0220</a>	
40	M 5	23	16,5	22	9	-30	80	12,0	<a href="#">24750.0230</a>	
40	M 5	28	16,5	22	9	-30	80	12,0	<a href="#">24750.0240</a>	
40	M 6	14	16,5	22	9	-30	80	12,0	<a href="#">24750.0250</a>	
40	M 6	18	16,5	22	9	-30	80	13,0	<a href="#">24750.0260</a>	
40	M 6	23	16,5	22	9	-30	80	14,0	<a href="#">24750.0270</a>	
40	M 6	28	16,5	22	9	-30	80	15,0	<a href="#">24750.0280</a>	
40	M 6	38	16,5	22	9	-30	80	16,0	<a href="#">24750.0290</a>	
50	M 6	14	22,0	26	10	-30	80	19,0	<a href="#">24750.0300</a>	
50	M 6	18	22,0	26	10	-30	80	19,0	<a href="#">24750.0310</a>	
50	M 6	23	22,0	26	10	-30	80	20,0	<a href="#">24750.0320</a>	

Dimensioni						 min. max.		 [g]	Codice
d <sub>1</sub>	d <sub>2</sub>	l	d <sub>3</sub>	l <sub>1</sub>	l <sub>2</sub>	 [°C]			
[mm]									
50	M 6	28	22,0	26	10	-30	80	21,0	<a href="#">24750.0330</a>
50	M 6	38	22,0	26	10	-30	80	23,0	<a href="#">24750.0340</a>
50	M 8	18	22,0	26	10	-30	80	26,0	<a href="#">24750.0350</a>
50	M 8	23	22,0	26	10	-30	80	27,0	<a href="#">24750.0360</a>
50	M 8	28	22,0	26	10	-30	80	29,0	<a href="#">24750.0370</a>
50	M 8	38	22,0	26	10	-30	80	32,0	<a href="#">24750.0380</a>
50	M 8	48	22,0	26	10	-30	80	35,0	<a href="#">24750.0390</a>
62	M 8	18	22,0	35	13	-30	80	40,0	<a href="#">24750.0400</a>
62	M 8	23	22,0	35	13	-30	80	41,0	<a href="#">24750.0410</a>
62	M 8	28	22,0	35	13	-30	80	43,0	<a href="#">24750.0420</a>
62	M 8	38	22,0	35	13	-30	80	46,0	<a href="#">24750.0430</a>
62	M 8	48	22,0	35	13	-30	80	49,0	<a href="#">24750.0440</a>
62	M10	23	22,0	35	13	-30	80	51,0	<a href="#">24750.0450</a>
62	M10	28	22,0	35	13	-30	80	54,0	<a href="#">24750.0460</a>
62	M10	38	22,0	35	13	-30	80	59,0	<a href="#">24750.0470</a>
62	M10	48	22,0	35	13	-30	80	64,0	<a href="#">24750.0480</a>
62	M10	58	22,0	35	13	-30	80	69,0	<a href="#">24750.0490</a>
<b>bianco</b>									
30	M 4	10	14,0	19	7	-30	80	6,1	<a href="#">24750.0101</a>
30	M 4	14	14,0	19	7	-30	80	6,6	<a href="#">24750.0111</a>
30	M 4	18	14,0	19	7	-30	80	6,9	<a href="#">24750.0121</a>
30	M 4	23	14,0	19	7	-30	80	7,3	<a href="#">24750.0131</a>
30	M 4	28	14,0	19	7	-30	80	7,7	<a href="#">24750.0141</a>
30	M 5	10	14,0	19	7	-30	80	7,5	<a href="#">24750.0151</a>
30	M 5	14	14,0	19	7	-30	80	7,9	<a href="#">24750.0161</a>
30	M 5	18	14,0	19	7	-30	80	8,4	<a href="#">24750.0171</a>
30	M 5	23	14,0	19	7	-30	80	9,0	<a href="#">24750.0181</a>
30	M 5	28	14,0	19	7	-30	80	9,0	<a href="#">24750.0191</a>
40	M 5	10	16,5	22	9	-30	80	9,6	<a href="#">24750.0201</a>
40	M 5	14	16,5	22	9	-30	80	10,0	<a href="#">24750.0211</a>
40	M 5	18	16,5	22	9	-30	80	11,0	<a href="#">24750.0221</a>
40	M 5	23	16,5	22	9	-30	80	12,0	<a href="#">24750.0231</a>
40	M 5	28	16,5	22	9	-30	80	12,0	<a href="#">24750.0241</a>
40	M 6	14	16,5	22	9	-30	80	12,0	<a href="#">24750.0251</a>
40	M 6	18	16,5	22	9	-30	80	13,0	<a href="#">24750.0261</a>
40	M 6	23	16,5	22	9	-30	80	14,0	<a href="#">24750.0271</a>
40	M 6	28	16,5	22	9	-30	80	15,0	<a href="#">24750.0281</a>
40	M 6	38	16,5	22	9	-30	80	16,0	<a href="#">24750.0291</a>
50	M 6	14	22,0	26	10	-30	80	19,0	<a href="#">24750.0301</a>
50	M 6	18	22,0	26	10	-30	80	19,0	<a href="#">24750.0311</a>
50	M 6	23	22,0	26	10	-30	80	20,0	<a href="#">24750.0321</a>
50	M 6	28	22,0	26	10	-30	80	21,0	<a href="#">24750.0331</a>
50	M 6	38	22,0	26	10	-30	80	23,0	<a href="#">24750.0341</a>
50	M 8	18	22,0	26	10	-30	80	26,0	<a href="#">24750.0351</a>
50	M 8	23	22,0	26	10	-30	80	27,0	<a href="#">24750.0361</a>
50	M 8	28	22,0	26	10	-30	80	29,0	<a href="#">24750.0371</a>
50	M 8	38	22,0	26	10	-30	80	32,0	<a href="#">24750.0381</a>
50	M 8	48	22,0	26	10	-30	80	35,0	<a href="#">24750.0391</a>
62	M 8	18	22,0	35	13	-30	80	40,0	<a href="#">24750.0401</a>
62	M 8	23	22,0	35	13	-30	80	41,0	<a href="#">24750.0411</a>
62	M 8	28	22,0	35	13	-30	80	43,0	<a href="#">24750.0421</a>
62	M 8	38	22,0	35	13	-30	80	46,0	<a href="#">24750.0431</a>
62	M 8	48	22,0	35	13	-30	80	49,0	<a href="#">24750.0441</a>
62	M10	23	22,0	35	13	-30	80	51,0	<a href="#">24750.0451</a>
62	M10	28	22,0	35	13	-30	80	54,0	<a href="#">24750.0461</a>
62	M10	38	22,0	35	13	-30	80	59,0	<a href="#">24750.0471</a>
62	M10	48	22,0	35	13	-30	80	64,0	<a href="#">24750.0481</a>
62	M10	58	22,0	35	13	-30	80	69,0	<a href="#">24750.0491</a>
<b>arancio</b>									
30	M 4	10	14,0	19	7	-30	80	6,1	<a href="#">24750.0102</a>
30	M 4	14	14,0	19	7	-30	80	6,6	<a href="#">24750.0112</a>
30	M 4	18	14,0	19	7	-30	80	6,9	<a href="#">24750.0122</a>

Dimensioni						min.	max.	[g]	Codice
d <sub>1</sub>	d <sub>2</sub>	l	d <sub>3</sub>	l <sub>1</sub>	l <sub>2</sub>				
30	M 4	23	14,0	19	7	-30	80	7,3	<a href="#">24750.0132</a>
30	M 4	28	14,0	19	7	-30	80	7,7	<a href="#">24750.0142</a>
30	M 5	10	14,0	19	7	-30	80	7,5	<a href="#">24750.0152</a>
30	M 5	14	14,0	19	7	-30	80	7,9	<a href="#">24750.0162</a>
30	M 5	18	14,0	19	7	-30	80	8,4	<a href="#">24750.0172</a>
30	M 5	23	14,0	19	7	-30	80	9,0	<a href="#">24750.0182</a>
30	M 5	28	14,0	19	7	-30	80	9,0	<a href="#">24750.0192</a>
40	M 5	10	16,5	22	9	-30	80	9,6	<a href="#">24750.0202</a>
40	M 5	14	16,5	22	9	-30	80	10,0	<a href="#">24750.0212</a>
40	M 5	18	16,5	22	9	-30	80	11,0	<a href="#">24750.0222</a>
40	M 5	23	16,5	22	9	-30	80	12,0	<a href="#">24750.0232</a>
40	M 5	28	16,5	22	9	-30	80	12,0	<a href="#">24750.0242</a>
40	M 6	14	16,5	22	9	-30	80	12,0	<a href="#">24750.0252</a>
40	M 6	18	16,5	22	9	-30	80	13,0	<a href="#">24750.0262</a>
40	M 6	23	16,5	22	9	-30	80	14,0	<a href="#">24750.0272</a>
40	M 6	28	16,5	22	9	-30	80	15,0	<a href="#">24750.0282</a>
40	M 6	38	16,5	22	9	-30	80	16,0	<a href="#">24750.0292</a>
50	M 6	14	22,0	26	10	-30	80	19,0	<a href="#">24750.0302</a>
50	M 6	18	22,0	26	10	-30	80	19,0	<a href="#">24750.0312</a>
50	M 6	23	22,0	26	10	-30	80	20,0	<a href="#">24750.0322</a>
50	M 6	28	22,0	26	10	-30	80	21,0	<a href="#">24750.0332</a>
50	M 6	38	22,0	26	10	-30	80	23,0	<a href="#">24750.0342</a>
50	M 8	18	22,0	26	10	-30	80	26,0	<a href="#">24750.0352</a>
50	M 8	23	22,0	26	10	-30	80	27,0	<a href="#">24750.0362</a>
50	M 8	28	22,0	26	10	-30	80	29,0	<a href="#">24750.0372</a>
50	M 8	38	22,0	26	10	-30	80	32,0	<a href="#">24750.0382</a>
50	M 8	48	22,0	26	10	-30	80	35,0	<a href="#">24750.0392</a>
62	M 8	18	22,0	35	13	-30	80	40,0	<a href="#">24750.0402</a>
62	M 8	23	22,0	35	13	-30	80	41,0	<a href="#">24750.0412</a>
62	M 8	28	22,0	35	13	-30	80	43,0	<a href="#">24750.0422</a>
62	M 8	38	22,0	35	13	-30	80	46,0	<a href="#">24750.0432</a>
62	M 8	48	22,0	35	13	-30	80	49,0	<a href="#">24750.0442</a>
62	M10	23	22,0	35	13	-30	80	51,0	<a href="#">24750.0452</a>
62	M10	28	22,0	35	13	-30	80	54,0	<a href="#">24750.0462</a>
62	M10	38	22,0	35	13	-30	80	59,0	<a href="#">24750.0472</a>
62	M10	48	22,0	35	13	-30	80	64,0	<a href="#">24750.0482</a>
62	M10	58	22,0	35	13	-30	80	69,0	<a href="#">24750.0492</a>
<b>giallo</b>									
30	M 4	10	14,0	19	7	-30	80	6,1	<a href="#">24750.0103</a>
30	M 4	14	14,0	19	7	-30	80	6,6	<a href="#">24750.0113</a>
30	M 4	18	14,0	19	7	-30	80	6,9	<a href="#">24750.0123</a>
30	M 4	23	14,0	19	7	-30	80	7,3	<a href="#">24750.0133</a>
30	M 4	28	14,0	19	7	-30	80	7,7	<a href="#">24750.0143</a>
30	M 5	10	14,0	19	7	-30	80	7,5	<a href="#">24750.0153</a>
30	M 5	14	14,0	19	7	-30	80	7,9	<a href="#">24750.0163</a>
30	M 5	18	14,0	19	7	-30	80	8,4	<a href="#">24750.0173</a>
30	M 5	23	14,0	19	7	-30	80	9,0	<a href="#">24750.0183</a>
30	M 5	28	14,0	19	7	-30	80	9,0	<a href="#">24750.0193</a>
40	M 5	10	16,5	22	9	-30	80	9,6	<a href="#">24750.0203</a>
40	M 5	14	16,5	22	9	-30	80	10,0	<a href="#">24750.0213</a>
40	M 5	18	16,5	22	9	-30	80	11,0	<a href="#">24750.0223</a>
40	M 5	23	16,5	22	9	-30	80	12,0	<a href="#">24750.0233</a>
40	M 5	28	16,5	22	9	-30	80	12,0	<a href="#">24750.0243</a>
40	M 6	14	16,5	22	9	-30	80	12,0	<a href="#">24750.0253</a>
40	M 6	18	16,5	22	9	-30	80	13,0	<a href="#">24750.0263</a>
40	M 6	23	16,5	22	9	-30	80	14,0	<a href="#">24750.0273</a>
40	M 6	28	16,5	22	9	-30	80	15,0	<a href="#">24750.0283</a>
40	M 6	38	16,5	22	9	-30	80	16,0	<a href="#">24750.0293</a>
50	M 6	14	22,0	26	10	-30	80	19,0	<a href="#">24750.0303</a>
50	M 6	18	22,0	26	10	-30	80	19,0	<a href="#">24750.0313</a>
50	M 6	23	22,0	26	10	-30	80	20,0	<a href="#">24750.0323</a>
50	M 6	28	22,0	26	10	-30	80	21,0	<a href="#">24750.0333</a>

Dimensioni						 min. max.		 [g]	Codice
d <sub>1</sub>	d <sub>2</sub>	l	d <sub>3</sub>	l <sub>1</sub>	l <sub>2</sub>	 [°C]			
			[mm]						
50	M 6	38	22,0	26	10	-30	80	23,0	<a href="#">24750.0343</a>
50	M 8	18	22,0	26	10	-30	80	26,0	<a href="#">24750.0353</a>
50	M 8	23	22,0	26	10	-30	80	27,0	<a href="#">24750.0363</a>
50	M 8	28	22,0	26	10	-30	80	29,0	<a href="#">24750.0373</a>
50	M 8	38	22,0	26	10	-30	80	32,0	<a href="#">24750.0383</a>
50	M 8	48	22,0	26	10	-30	80	35,0	<a href="#">24750.0393</a>
62	M 8	18	22,0	35	13	-30	80	40,0	<a href="#">24750.0403</a>
62	M 8	23	22,0	35	13	-30	80	41,0	<a href="#">24750.0413</a>
62	M 8	28	22,0	35	13	-30	80	43,0	<a href="#">24750.0423</a>
62	M 8	38	22,0	35	13	-30	80	46,0	<a href="#">24750.0433</a>
62	M 8	48	22,0	35	13	-30	80	49,0	<a href="#">24750.0443</a>
62	M10	23	22,0	35	13	-30	80	51,0	<a href="#">24750.0453</a>
62	M10	28	22,0	35	13	-30	80	54,0	<a href="#">24750.0463</a>
62	M10	38	22,0	35	13	-30	80	59,0	<a href="#">24750.0473</a>
62	M10	48	22,0	35	13	-30	80	64,0	<a href="#">24750.0483</a>
62	M10	58	22,0	35	13	-30	80	69,0	<a href="#">24750.0493</a>
<b>blu</b>									
30	M 4	10	14,0	19	7	-30	80	6,1	<a href="#">24750.0104</a>
30	M 4	14	14,0	19	7	-30	80	6,6	<a href="#">24750.0114</a>
30	M 4	18	14,0	19	7	-30	80	6,9	<a href="#">24750.0124</a>
30	M 4	23	14,0	19	7	-30	80	7,3	<a href="#">24750.0134</a>
30	M 4	28	14,0	19	7	-30	80	7,7	<a href="#">24750.0144</a>
30	M 5	10	14,0	19	7	-30	80	7,5	<a href="#">24750.0154</a>
30	M 5	14	14,0	19	7	-30	80	7,9	<a href="#">24750.0164</a>
30	M 5	18	14,0	19	7	-30	80	8,4	<a href="#">24750.0174</a>
30	M 5	23	14,0	19	7	-30	80	9,0	<a href="#">24750.0184</a>
30	M 5	28	14,0	19	7	-30	80	9,0	<a href="#">24750.0194</a>
40	M 5	10	16,5	22	9	-30	80	9,6	<a href="#">24750.0204</a>
40	M 5	14	16,5	22	9	-30	80	10,0	<a href="#">24750.0214</a>
40	M 5	18	16,5	22	9	-30	80	11,0	<a href="#">24750.0224</a>
40	M 5	23	16,5	22	9	-30	80	12,0	<a href="#">24750.0234</a>
40	M 5	28	16,5	22	9	-30	80	12,0	<a href="#">24750.0244</a>
40	M 6	14	16,5	22	9	-30	80	12,0	<a href="#">24750.0254</a>
40	M 6	18	16,5	22	9	-30	80	13,0	<a href="#">24750.0264</a>
40	M 6	23	16,5	22	9	-30	80	14,0	<a href="#">24750.0274</a>
40	M 6	28	16,5	22	9	-30	80	15,0	<a href="#">24750.0284</a>
40	M 6	38	16,5	22	9	-30	80	16,0	<a href="#">24750.0294</a>
50	M 6	14	22,0	26	10	-30	80	19,0	<a href="#">24750.0304</a>
50	M 6	18	22,0	26	10	-30	80	19,0	<a href="#">24750.0314</a>
50	M 6	23	22,0	26	10	-30	80	20,0	<a href="#">24750.0324</a>
50	M 6	28	22,0	26	10	-30	80	21,0	<a href="#">24750.0334</a>
50	M 6	38	22,0	26	10	-30	80	23,0	<a href="#">24750.0344</a>
50	M 8	18	22,0	26	10	-30	80	26,0	<a href="#">24750.0354</a>
50	M 8	23	22,0	26	10	-30	80	27,0	<a href="#">24750.0364</a>
50	M 8	28	22,0	26	10	-30	80	29,0	<a href="#">24750.0374</a>
50	M 8	38	22,0	26	10	-30	80	32,0	<a href="#">24750.0384</a>
50	M 8	48	22,0	26	10	-30	80	35,0	<a href="#">24750.0394</a>
62	M 8	18	22,0	35	13	-30	80	40,0	<a href="#">24750.0404</a>
62	M 8	23	22,0	35	13	-30	80	41,0	<a href="#">24750.0414</a>
62	M 8	28	22,0	35	13	-30	80	43,0	<a href="#">24750.0424</a>
62	M 8	38	22,0	35	13	-30	80	46,0	<a href="#">24750.0434</a>
62	M 8	48	22,0	35	13	-30	80	49,0	<a href="#">24750.0444</a>
62	M10	23	22,0	35	13	-30	80	51,0	<a href="#">24750.0454</a>
62	M10	28	22,0	35	13	-30	80	54,0	<a href="#">24750.0464</a>
62	M10	38	22,0	35	13	-30	80	59,0	<a href="#">24750.0474</a>
62	M10	48	22,0	35	13	-30	80	64,0	<a href="#">24750.0484</a>
62	M10	58	22,0	35	13	-30	80	69,0	<a href="#">24750.0494</a>

## Esempio di applicazione



## Conformità

### Conforme alla normativa RoHS

Conforme alla Direttiva 2011/65/UE e alla Direttiva 2015/863.

### Non contiene sostanze SVHC

Nessuna sostanza SVHC con più dello 0,1% p/p contenuto - elenco SVHC [REACH] aggiornato al 27.06.2024.

### Non contiene sostanze della Proposition 65

Nessuna sostanza contemplata nella Proposition 65

<https://www.P65Warnings.ca.gov/>

### Privo di minerali di conflitto

Questo prodotto non contiene sostanze designate come "minerali da conflitto" come tantalio, stagno, oro o tungsteno della Repubblica Democratica del Congo o dei paesi limitrofi.