

Leve a ripresa EH 24440.



Descrizione prodotto

Materiale

Leva

- Acciaio, brunito
- Acciaio inox 1.4305, sabbiato opaco

Mozzo

- Acciaio, brunito, classe 5.8
- Acciaio inox 1.4305, sabbiato opaco

Vite

- Acciaio, brunito, classe 5.8
- Acciaio inox 1.4305

Pomello

- Plastica PF 31, nera, DIN 319

Funzionamento

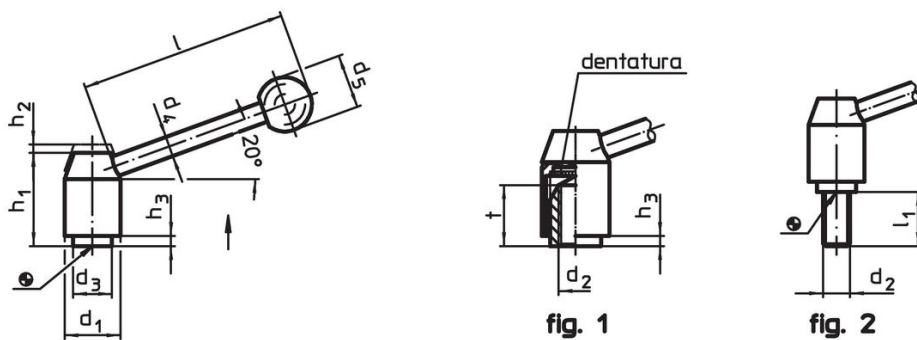
Tirando la leva si disinnesta la dentatura, permettendo di orientare liberamente la leva. Rilasciando la leva, la molla interna reinnesta la dentatura.

Maggiori informazioni

Note


Il mozzo filettato può essere sostituito.

Disegno



Caratteristiche

d ₁	d ₂	l ₁	d ₃	d ₄	Dimensioni						g	Codice
					d ₅	h ₁	h ₂	h ₃	l	t min.		
[mm]												
con foro filettato – Fig. 1, Acciaio												
21	M 6	–	13,5	8	20	33,5	4,0	1,0	70	11	91	24440.0101
21	M 8	–	13,5	8	20	33,5	4,0	1,0	70	11	89	24440.0102
24	M 8	–	16,0	10	25	40,0	4,5	2,5	96	14	159	24440.0201
24	M10	–	16,0	10	25	40,0	4,5	2,5	96	14	153	24440.0202
28	M10	–	19,0	12	30	48,5	4,5	4,5	110	17	255	24440.0301
28	M12	–	19,0	12	30	48,5	4,5	4,5	110	17	248	24440.0302
33	M12	–	23,0	12	32	55,0	5,5	6,0	124	23	365	24440.0401
33	M16	–	23,0	12	32	55,0	5,5	6,0	124	23	347	24440.0402
40	M16	–	30,0	14	35	68,0	5,5	6,0	138	36	622	24440.0501
40	M20	–	30,0	14	35	68,0	5,5	6,0	138	36	599	24440.0502
Con vite – Fig. 2, Acciaio												
21	M 8	12	13,5	8	20	33,5	4,0	1,0	70	–	98	24440.0120
21	M 8	16	13,5	8	20	33,5	4,0	1,0	70	–	99	24440.0122
21	M 8	20	13,5	8	20	33,5	4,0	1,0	70	–	103	24440.0124
21	M 8	25	13,5	8	20	33,5	4,0	1,0	70	–	102	24440.0126
21	M 8	32	13,5	8	20	33,5	4,0	1,0	70	–	105	24440.0128
21	M 8	40	13,5	8	20	33,5	4,0	1,0	70	–	112	24440.0130
21	M 8	50	13,5	8	20	33,5	4,0	1,0	70	–	109	24440.0132
21	M 8	63	13,5	8	20	33,5	4,0	1,0	70	–	114	24440.0134
24	M10	16	16,0	10	25	40,0	4,5	2,5	96	–	172	24440.0220
24	M10	20	16,0	10	25	40,0	4,5	2,5	96	–	173	24440.0222
24	M10	25	16,0	10	25	40,0	4,5	2,5	96	–	174	24440.0224
24	M10	32	16,0	10	25	40,0	4,5	2,5	96	–	177	24440.0226

d ₁	d ₂	l ₁	Dimensioni								l	t min.		Codice
			d ₃	d ₄	d ₅	h ₁	h ₂	h ₃	~	[g]				
[mm]														
24	M10	40	16,0	10	25	40,0	4,5	2,5	96	-	184	24440.0228		
24	M10	50	16,0	10	25	40,0	4,5	2,5	96	-	185	24440.0230		
24	M10	63	16,0	10	25	40,0	4,5	2,5	96	-	195	24440.0232		
24	M10	80	16,0	10	25	40,0	4,5	2,5	96	-	205	24440.0234		
28	M12	16	19,0	12	30	48,5	4,5	4,5	110	-	277	24440.0318		
28	M12	20	19,0	12	30	48,5	4,5	4,5	110	-	282	24440.0320		
28	M12	25	19,0	12	30	48,5	4,5	4,5	110	-	283	24440.0322		
28	M12	32	19,0	12	30	48,5	4,5	4,5	110	-	287	24440.0324		
28	M12	40	19,0	12	30	48,5	4,5	4,5	110	-	298	24440.0326		
28	M12	50	19,0	12	30	48,5	4,5	4,5	110	-	302	24440.0328		
28	M12	63	19,0	12	30	48,5	4,5	4,5	110	-	312	24440.0330		
28	M12	80	19,0	12	30	48,5	4,5	4,5	110	-	320	24440.0332		
33	M16	32	23,0	12	32	55,0	5,5	6,0	124	-	422	24440.0422		
33	M16	40	23,0	12	32	55,0	5,5	6,0	124	-	435	24440.0424		
33	M16	50	23,0	12	32	55,0	5,5	6,0	124	-	446	24440.0426		
33	M16	63	23,0	12	32	55,0	5,5	6,0	124	-	461	24440.0428		
33	M16	80	23,0	12	32	55,0	5,5	6,0	124	-	486	24440.0430		
40	M20	40	30,0	14	35	68,0	5,5	6,0	138	-	772	24440.0520		
40	M20	50	30,0	14	35	68,0	5,5	6,0	138	-	792	24440.0522		
40	M20	63	30,0	14	35	68,0	5,5	6,0	138	-	826	24440.0524		
40	M20	80	30,0	14	35	68,0	5,5	6,0	138	-	859	24440.0526		
con foro filettato – Fig. 1, acciaio inox														
21	M 6	-	13,5	8	20	33,5	4,0	1,0	70	11	91	24440.0601		
21	M 8	-	13,5	8	20	33,5	4,0	1,0	70	11	89	24440.0602		
24	M 8	-	16,0	10	25	40,0	4,5	2,5	96	14	159	24440.0611		
24	M10	-	16,0	10	25	40,0	4,5	2,5	96	14	153	24440.0612		
28	M10	-	19,0	12	30	48,5	4,5	4,5	110	17	255	24440.0621		
28	M12	-	19,0	12	30	48,5	4,5	4,5	110	17	248	24440.0622		
Con vite – Fig. 2, acciaio inox														
21	M 8	16	13,5	8	20	33,5	4,0	1,0	70	-	99	24440.0702		
21	M 8	20	13,5	8	20	33,5	4,0	1,0	70	-	103	24440.0704		
21	M 8	25	13,5	8	20	33,5	4,0	1,0	70	-	102	24440.0706		
21	M 8	32	13,5	8	20	33,5	4,0	1,0	70	-	105	24440.0708		
21	M 8	40	13,5	8	20	33,5	4,0	1,0	70	-	112	24440.0710		
21	M 8	50	13,5	8	20	33,5	4,0	1,0	70	-	109	24440.0712		
21	M 8	63	13,5	8	20	33,5	4,0	1,0	70	-	114	24440.0714		
24	M10	20	16,0	10	25	40,0	4,5	2,5	96	-	173	24440.0722		
24	M10	25	16,0	10	25	40,0	4,5	2,5	96	-	174	24440.0724		
24	M10	32	16,0	10	25	40,0	4,5	2,5	96	-	177	24440.0726		
24	M10	40	16,0	10	25	40,0	4,5	2,5	96	-	184	24440.0728		
24	M10	50	16,0	10	25	40,0	4,5	2,5	96	-	185	24440.0730		
24	M10	63	16,0	10	25	40,0	4,5	2,5	96	-	195	24440.0732		
24	M10	80	16,0	10	25	40,0	4,5	2,5	96	-	205	24440.0734		
28	M12	25	19,0	12	30	48,5	4,5	4,5	110	-	283	24440.0742		
28	M12	32	19,0	12	30	48,5	4,5	4,5	110	-	287	24440.0744		
28	M12	40	19,0	12	30	48,5	4,5	4,5	110	-	298	24440.0746		
28	M12	50	19,0	12	30	48,5	4,5	4,5	110	-	302	24440.0748		
28	M12	63	19,0	12	30	48,5	4,5	4,5	110	-	312	24440.0750		
28	M12	80	19,0	12	30	48,5	4,5	4,5	110	-	320	24440.0752		

Conformità

Per informazioni dettagliate sulla conformità selezionare il numero di articolo desiderato.