

Impugnature a ripresa • con foro filettato

EH 24400.



Descrizione prodotto

Le leve di bloccaggio regolabili trovano diverse applicazioni quando l'area di utilizzo è ristretta o è richiesta una posizione specifica della leva.

Materiale

Leva

- Zinco pressofuso, plastificato, arancio, simile a RAL 2004, finitura opaca
- Zinco pressofuso, plastificato argento opaco, simile a RAL 9006
- Zinco pressofuso, plastificato nero opaco, simile a RAL 9005

Perno filettato

- Acciaio, brunito, classe 5

Mozzo

- Acciaio, brunito, classe 5.8

Funzionamento

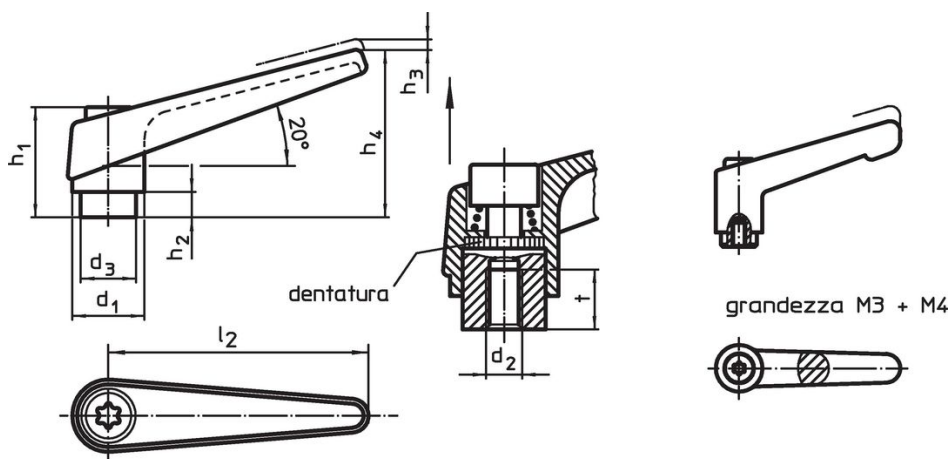
Tirando la leva si disinnesta la dentatura, permettendo di orientare liberamente la leva. Rilasciando la leva, la molla interna reinnesta la dentatura.

Maggiori informazioni

Note

Il mozzo filettato può essere sostituito.

Disegno

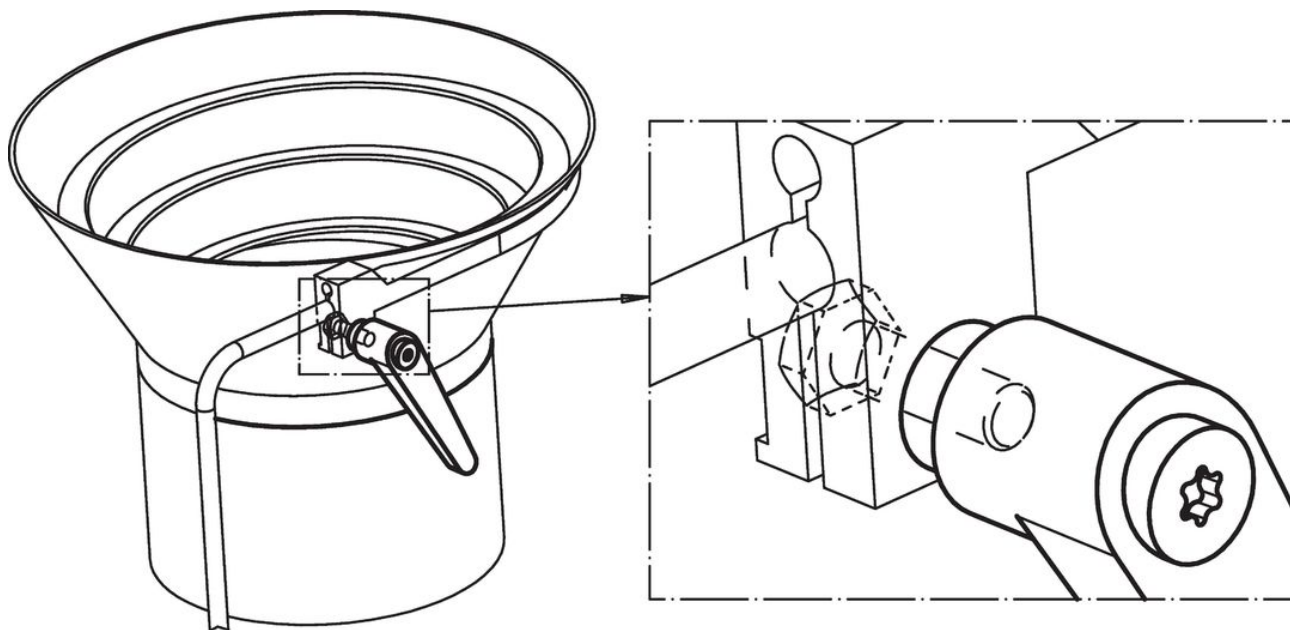


Caratteristiche

d ₁	d ₂	d ₃	Dimensioni						l ₂	t ≥	[g]	Codice
			h ₁	h ₂	h ₃	h ₄	[mm]					
arancio												
13	M 3	10,0	24,5	4,0	3,5	30,5	30	7	26	24400.0032		
13	M 4	10,0	24,5	4,0	3,5	30,5	30	9	25	24400.0036		
14	M 5	10,0	24,5	4,0	3,0	35,0	45	8	33	24400.0111		
14	M 6	10,0	24,5	4,0	3,0	35,0	45	8	33	24400.0121		
18	M 6	13,5	31,0	6,5	3,0	45,0	62	10	67	24400.0311		
18	M 8	13,5	31,0	6,5	3,0	45,0	62	10	71	24400.0321		
22	M 8	16,0	36,0	8,0	3,5	52,0	74	14	112	24400.0411		
22	M10	16,0	36,0	8,0	3,5	52,0	74	14	109	24400.0421		
25	M10	19,0	43,0	11,0	4,0	63,0	89	17	176	24400.0511		
25	M12	19,0	43,0	11,0	4,0	63,0	89	17	171	24400.0521		
30	M12	23,0	50,5	12,0	5,0	76,0	108	22	286	24400.0611		
30	M16	23,0	50,5	12,0	5,0	76,0	108	22	269	24400.0621		
argento												
14	M 5	10,0	24,5	4,0	3,0	35,0	45	8	33	24400.0113		
14	M 6	10,0	24,5	4,0	3,0	35,0	45	8	33	24400.0123		
18	M 6	13,5	31,0	6,5	3,0	45,0	62	10	67	24400.0313		
18	M 8	13,5	31,0	6,5	3,0	45,0	62	10	71	24400.0323		
22	M 8	16,0	36,0	8,0	3,5	52,0	74	14	112	24400.0413		

d ₁	d ₂	d ₃	Dimensioni						t ≥	[g]	Codice
			h ₁	h ₂	h ₃	h ₄	l ₂	[mm]			
22	M10	16,0	36,0	8,0	3,5	52,0	74	14	109	24400.0423	
25	M10	19,0	43,0	11,0	4,0	63,0	89	17	176	24400.0513	
25	M12	19,0	43,0	11,0	4,0	63,0	89	17	171	24400.0523	
30	M12	23,0	50,5	12,0	5,0	76,0	108	22	286	24400.0613	
30	M16	23,0	50,5	12,0	5,0	76,0	108	22	269	24400.0623	
nero											
13	M 3	10,0	24,5	4,0	3,5	30,5	30	7	26	24400.0034	
13	M 4	10,0	24,5	4,0	3,5	30,5	30	9	25	24400.0038	
14	M 5	10,0	24,5	4,0	3,0	35,0	45	8	33	24400.0114	
14	M 6	10,0	24,5	4,0	3,0	35,0	45	8	33	24400.0124	
18	M 6	13,5	31,0	6,5	3,0	45,0	62	10	67	24400.0314	
18	M 8	13,5	31,0	6,5	3,0	45,0	62	10	71	24400.0324	
22	M 8	16,0	36,0	8,0	3,5	52,0	74	14	112	24400.0414	
22	M10	16,0	36,0	8,0	3,5	52,0	74	14	109	24400.0424	
25	M10	19,0	43,0	11,0	4,0	63,0	89	17	176	24400.0514	
25	M12	19,0	43,0	11,0	4,0	63,0	89	17	171	24400.0524	
30	M12	23,0	50,5	12,0	5,0	76,0	108	22	286	24400.0614	
30	M16	23,0	50,5	12,0	5,0	76,0	108	22	269	24400.0624	

Esempio di applicazione



Conformità

Conforme alla normativa RoHS

Contiene piombo - conforme alle eccezioni 6a / 6b / 6c.

Contiene sostanze SVHC >0,1% p/p

Contiene piombo - elenco SVHC [REACH] aggiornato al 27.06.2024.

Contiene sostanze della Proposition 65



L'esposizione al piombo può causare cancro e danni riproduttivi
<https://www.P65Warnings.ca.gov/>

Privo di minerali di conflitto

Questo prodotto non contiene sostanze designate come "minerali da conflitto" come tantalio, stagno, oro o tungsteno della Repubblica Democratica del Congo o dei paesi limitrofi.