

Impugnature a ripresa • con mozzo e vite inox

EH 24390.



Descrizione prodotto

Leva a ripresa con parti interne inox. Molteplici campi di applicazione come, per es., nell'industria farmaceutica, chimica e alimentare.

Materiale

Leva

- Zinco pressofuso, plastificato, arancio, simile a RAL 2004, finitura opaca
- Zinco pressofuso, plastificato nero opaco, simile a RAL 9005

Mozzo

- Acciaio inox 1.4305

Vite

- Acciaio inox 1.4305

Funzionamento

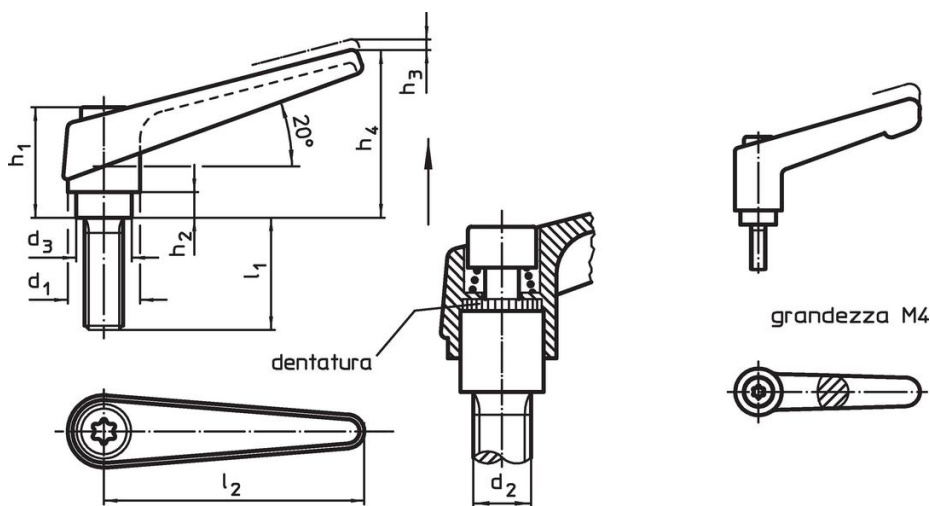
Tirando la leva si disinnesta la dentatura, permettendo di orientare liberamente la leva. Rilasciando la leva, la molla interna reinnesta la dentatura.

Maggiori informazioni

Note


Il perno filettato può essere sostituito.

Disegno



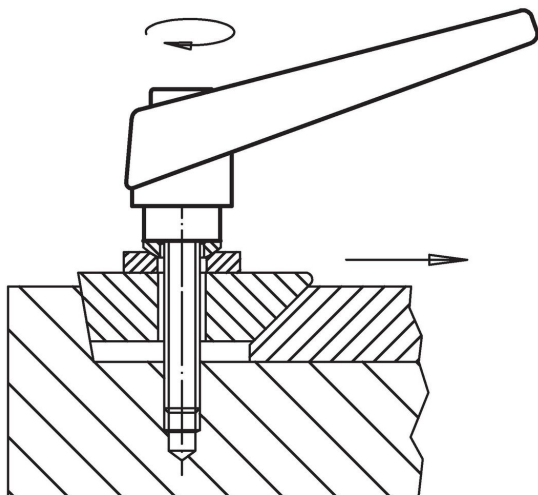
Caratteristiche

d ₁	d ₂	l ₁	d ₃	Dimensioni					[g]	Codice
				h ₁	h ₂	h ₃	h ₄	l ₂		
[mm]										
arancio										
13	M 4	12	10,0	24,5	4,0	3,5	30,5	30	27	24390.0010
13	M 4	16	10,0	24,5	4,0	3,5	30,5	30	30	24390.0014
13	M 4	20	10,0	24,5	4,0	3,5	30,5	30	28	24390.0018
13	M 4	25	10,0	24,5	4,0	3,5	30,5	30	28	24390.0022
13	M 4	32	10,0	24,5	4,0	3,5	30,5	30	29	24390.0026
14	M 5	12	10,0	24,5	4,0	3,0	35,0	45	36	24390.0041
14	M 5	16	10,0	24,5	4,0	3,0	35,0	45	36	24390.0051
14	M 5	20	10,0	24,5	4,0	3,0	35,0	45	37	24390.0061
14	M 5	25	10,0	24,5	4,0	3,0	35,0	45	38	24390.0071
14	M 5	32	10,0	24,5	4,0	3,0	35,0	45	38	24390.0081
14	M 5	40	10,0	24,5	4,0	3,0	35,0	45	39	24390.0086
14	M 6	12	10,0	24,5	4,0	3,0	35,0	45	37	24390.0131
14	M 6	16	10,0	24,5	4,0	3,0	35,0	45	37	24390.0141
14	M 6	20	10,0	24,5	4,0	3,0	35,0	45	38	24390.0151
14	M 6	25	10,0	24,5	4,0	3,0	35,0	45	39	24390.0161
14	M 6	32	10,0	24,5	4,0	3,0	35,0	45	40	24390.0171
14	M 6	40	10,0	24,5	4,0	3,0	35,0	45	41	24390.0181
14	M 6	50	10,0	24,5	4,0	3,0	35,0	45	43	24390.0191
18	M 8	16	13,5	31,0	6,5	3,0	45,0	62	74	24390.0331

d ₁	d ₂	l ₁	d ₃	Dimensioni					l ₂	 [g]	Codice
				h ₁	h ₂	h ₃	h ₄	[mm]			
18	M 8	20	13,5	31,0	6,5	3,0	45,0	62	76	24390.0341	
18	M 8	25	13,5	31,0	6,5	3,0	45,0	62	77	24390.0351	
18	M 8	32	13,5	31,0	6,5	3,0	45,0	62	79	24390.0361	
18	M 8	40	13,5	31,0	6,5	3,0	45,0	62	81	24390.0371	
18	M 8	50	13,5	31,0	6,5	3,0	45,0	62	84	24390.0381	
18	M 8	63	13,5	31,0	6,5	3,0	45,0	62	89	24390.0391	
22	M10	20	16,0	36,0	8,0	3,5	52,0	74	128	24390.0441	
22	M10	25	16,0	36,0	8,0	3,5	52,0	74	130	24390.0451	
22	M10	32	16,0	36,0	8,0	3,5	52,0	74	134	24390.0461	
22	M10	40	16,0	36,0	8,0	3,5	52,0	74	138	24390.0471	
22	M10	50	16,0	36,0	8,0	3,5	52,0	74	143	24390.0481	
22	M10	63	16,0	36,0	8,0	3,5	52,0	74	148	24390.0486	
22	M10	80	16,0	36,0	8,0	3,5	52,0	74	157	24390.0491	
25	M12	25	19,0	43,0	11,0	4,0	63,0	89	205	24390.0541	
25	M12	32	19,0	43,0	11,0	4,0	63,0	89	209	24390.0551	
25	M12	40	19,0	43,0	11,0	4,0	63,0	89	215	24390.0561	
25	M12	50	19,0	43,0	11,0	4,0	63,0	89	222	24390.0571	
25	M12	63	19,0	43,0	11,0	4,0	63,0	89	232	24390.0581	
25	M12	80	19,0	43,0	11,0	4,0	63,0	89	240	24390.0591	
30	M16	32	23,0	50,5	12,0	5,0	76,0	108	348	24390.0641	
30	M16	40	23,0	50,5	12,0	5,0	76,0	108	357	24390.0651	
30	M16	50	23,0	50,5	12,0	5,0	76,0	108	370	24390.0661	
30	M16	63	23,0	50,5	12,0	5,0	76,0	108	386	24390.0671	
30	M16	80	23,0	50,5	12,0	5,0	76,0	108	407	24390.0681	
nero											
13	M 4	12	10,0	24,5	4,0	3,5	30,5	30	27	24390.0012	
13	M 4	16	10,0	24,5	4,0	3,5	30,5	30	30	24390.0016	
13	M 4	20	10,0	24,5	4,0	3,5	30,5	30	28	24390.0020	
13	M 4	25	10,0	24,5	4,0	3,5	30,5	30	28	24390.0024	
13	M 4	32	10,0	24,5	4,0	3,5	30,5	30	29	24390.0028	
14	M 5	12	10,0	24,5	4,0	3,0	35,0	45	36	24390.0044	
14	M 5	16	10,0	24,5	4,0	3,0	35,0	45	36	24390.0054	
14	M 5	20	10,0	24,5	4,0	3,0	35,0	45	37	24390.0064	
14	M 5	25	10,0	24,5	4,0	3,0	35,0	45	38	24390.0074	
14	M 5	32	10,0	24,5	4,0	3,0	35,0	45	38	24390.0084	
14	M 5	40	10,0	24,5	4,0	3,0	35,0	45	39	24390.0089	
14	M 6	12	10,0	24,5	4,0	3,0	35,0	45	37	24390.0134	
14	M 6	16	10,0	24,5	4,0	3,0	35,0	45	37	24390.0144	
14	M 6	20	10,0	24,5	4,0	3,0	35,0	45	38	24390.0154	
14	M 6	25	10,0	24,5	4,0	3,0	35,0	45	39	24390.0164	
14	M 6	32	10,0	24,5	4,0	3,0	35,0	45	40	24390.0174	
14	M 6	40	10,0	24,5	4,0	3,0	35,0	45	41	24390.0184	
14	M 6	50	10,0	24,5	4,0	3,0	35,0	45	43	24390.0194	
18	M 8	16	13,5	31,0	6,5	3,0	45,0	62	74	24390.0334	
18	M 8	20	13,5	31,0	6,5	3,0	45,0	62	76	24390.0344	
18	M 8	25	13,5	31,0	6,5	3,0	45,0	62	77	24390.0354	
18	M 8	32	13,5	31,0	6,5	3,0	45,0	62	79	24390.0364	
18	M 8	40	13,5	31,0	6,5	3,0	45,0	62	81	24390.0374	
18	M 8	50	13,5	31,0	6,5	3,0	45,0	62	84	24390.0384	
18	M 8	63	13,5	31,0	6,5	3,0	45,0	62	89	24390.0394	
22	M10	20	16,0	36,0	8,0	3,5	52,0	74	128	24390.0444	
22	M10	25	16,0	36,0	8,0	3,5	52,0	74	130	24390.0454	
22	M10	32	16,0	36,0	8,0	3,5	52,0	74	134	24390.0464	
22	M10	40	16,0	36,0	8,0	3,5	52,0	74	138	24390.0474	
22	M10	50	16,0	36,0	8,0	3,5	52,0	74	143	24390.0484	
22	M10	63	16,0	36,0	8,0	3,5	52,0	74	148	24390.0489	
22	M10	80	16,0	36,0	8,0	3,5	52,0	74	157	24390.0494	
25	M12	25	19,0	43,0	11,0	4,0	63,0	89	205	24390.0544	
25	M12	32	19,0	43,0	11,0	4,0	63,0	89	209	24390.0554	
25	M12	40	19,0	43,0	11,0	4,0	63,0	89	215	24390.0564	
25	M12	50	19,0	43,0	11,0	4,0	63,0	89	222	24390.0574	
25	M12	63	19,0	43,0	11,0	4,0	63,0	89	232	24390.0584	

d ₁	d ₂	l ₁	d ₃	Dimensioni					[g]	Codice
				h ₁	h ₂	h ₃	h ₄	l ₂		
25	M12	80	19,0	43,0	11,0	4,0	63,0	89	240	24390.0594
30	M16	32	23,0	50,5	12,0	5,0	76,0	108	348	24390.0644
30	M16	40	23,0	50,5	12,0	5,0	76,0	108	357	24390.0654
30	M16	50	23,0	50,5	12,0	5,0	76,0	108	370	24390.0664
30	M16	63	23,0	50,5	12,0	5,0	76,0	108	386	24390.0674
30	M16	80	23,0	50,5	12,0	5,0	76,0	108	407	24390.0684

Esempio di applicazione



Conformità

Conforme alla normativa RoHS

Contiene piombo - conforme alle eccezioni 6a / 6b / 6c.

Contiene sostanze SVHC >0,1% p/p

Contiene piombo - elenco SVHC [REACH] aggiornato al 27.06.2024.

Contiene sostanze della Proposition 65



L'esposizione al piombo può causare cancro e danni riproduttivi
<https://www.P65Warnings.ca.gov/>

Privo di minerali di conflitto

Questo prodotto non contiene sostanze designate come "minerali da conflitto" come tantalio, stagno, oro o tungsteno della Repubblica Democratica del Congo o dei paesi limitrofi.