

Viti a inserto sferico • senza testa, sfera spianata

EH 22720.



Descrizione prodotto

L'esecuzione con sfera in plastica serve per non danneggiare la superficie di pezzi delicati. Le viti a inserto sferico rendono possibile il bloccaggio o il sostegno di pezzi con superfici non allineate.

La sfera mobile permette di allineare la forza applicata.

Materiale

Sfera

- Acciaio da cuscinetti, temperato
- Acciaio inox, temperato
- Plastica POM, rosso

Vite

- Acciaio bonificato, 1200 ±100 N/mm²
- Acciaio inox 1.4305

Maggiori informazioni

Note

Sfera SENZA dispositivo antirovesciamento
Esecuzioni speciali a richiesta.

Riferimenti

Esecuzione con filetto frenato a richiesta, vedere appendice - Dati tecnici -

Altri prodotti

- Viti a inserto sferico, senza testa, sfera antirovesciamento
- Viti a inserto sferico, senza testa, a passo fine
- Viti a inserto sferico, senza testa esecuzione corta
- Viti a inserto sferico, senza testa, sfera spianata



Disegno





Caratteristiche

Dimensioni			Diametro sfera	SW [mm]	Carico solo statico ¹⁾ max. [kN]	min. max.		[g]	Codice
d ₁	l ₂	d ₃				[°C]			
[mm]									
Sfera spianata liscia, Acciaio									
M 4	5,6	1,8	2,5	2,0	3,5	–	250	0,3	22720.0542
M 4	7,6	1,8	2,5	2,0	3,5	–	250	0,4	22720.0543
M 4	9,6	1,8	2,5	2,0	3,5	–	250	0,6	22720.0544
M 4	11,6	1,8	2,5	2,0	3,5	–	250	0,7	22720.0545
M 4	15,6	1,8	2,5	2,0	3,5	–	250	1,0	22720.0546
M 5	7,5	2,2	3,0	2,5	4,5	–	250	0,6	22720.0552
M 5	9,5	2,2	3,0	2,5	4,5	–	250	0,9	22720.0553
M 5	11,5	2,2	3,0	2,5	4,5	–	250	1,1	22720.0554
M 5	15,5	2,2	3,0	2,5	4,5	–	250	1,6	22720.0555
M 5	19,5	2,2	3,0	2,5	4,5	–	250	2,0	22720.0556
M 5	24,5	2,2	3,0	2,5	4,5	–	250	2,6	22720.0558
M 6	10,0	3,2	4,0	3,0	9,0	–	250	1,3	22720.0562
M 6	12,0	3,2	4,0	3,0	9,0	–	250	1,6	22720.0563
M 6	16,0	3,2	4,0	3,0	9,0	–	250	2,3	22720.0564
M 6	20,0	3,2	4,0	3,0	9,0	–	250	3,0	22720.0565
M 6	25,0	3,2	4,0	3,0	9,0	–	250	3,8	22720.0566
M 8	10,0	4,5	5,5	4,0	15,0	–	250	2,4	22720.0581
M 8	12,0	4,5	5,5	4,0	15,0	–	250	2,8	22720.0582



¹⁾ I valori di carico indicati non valgono per l'esecuzione in acciaio inox (eccetto i modelli dotati di sfera in plastica)

d ₁	Dimensioni			SW [mm]	Carico solo statico ¹⁾ max. [kN]	 min. max. [°C]		 [g]	Codice	
	l ₂	d ₃	Diametro sfera							
[mm]										
M 8	16,0	4,5	5,5	4,0	15,0	–	250	4,1	22720.0583	
M 8	20,0	4,5	5,5	4,0	15,0	–	250	5,1	22720.0584	
M 8	25,0	4,5	5,5	4,0	15,0	–	250	6,7	22720.0585	
M 8	30,0	4,5	5,5	4,0	15,0	–	250	8,2	22720.0586	
M10	12,0	6,0	7,0	5,0	20,0	–	250	4,5	22720.0601	
M10	16,0	6,0	7,0	5,0	20,0	–	250	5,9	22720.0602	
M10	20,0	6,0	7,0	5,0	20,0	–	250	7,8	22720.0603	
M10	25,0	6,0	7,0	5,0	20,0	–	250	10,0	22720.0604	
M10	30,0	6,0	7,0	5,0	20,0	–	250	13,0	22720.0605	
M10	35,0	6,0	7,0	5,0	20,0	–	250	15,0	22720.0606	
M10	40,0	6,0	7,0	5,0	20,0	–	250	18,0	22720.0608	
M12	16,0	7,2	8,5	6,0	30,0	–	250	8,8	22720.0621	
M12	20,0	7,2	8,5	6,0	30,0	–	250	11,0	22720.0622	
M12	25,0	7,2	8,5	6,0	30,0	–	250	14,0	22720.0623	
M12	30,0	7,2	8,5	6,0	30,0	–	250	18,0	22720.0624	
M12	40,0	7,2	8,5	6,0	30,0	–	250	25,0	22720.0626	
M12	50,0	7,2	8,5	6,0	30,0	–	250	32,0	22720.0628	
M16	20,0	10,7	12,0	8,0	60,0	–	250	21,0	22720.0661	
M16	25,0	10,7	12,0	8,0	60,0	–	250	26,0	22720.0662	
M16	35,0	10,7	12,0	8,0	60,0	–	250	40,0	22720.0664	
M16	50,0	10,7	12,0	8,0	60,0	–	250	60,0	22720.0666	
M20	30,0	13,5	15,0	10,0	90,0	–	250	50,0	22720.0702	
M20	40,0	13,5	15,0	10,0	90,0	–	250	71,0	22720.0704	
M20	50,0	13,5	15,0	10,0	90,0	–	250	92,0	22720.0705	
M20	60,0	13,5	15,0	10,0	90,0	–	250	111,0	22720.0706	
M24	35,0	15,8	18,0	12,0	120,0	–	250	85,0	22720.0742	
M24	50,0	15,8	18,0	12,0	120,0	–	250	129,0	22720.0744	
M24	80,0	15,8	18,0	12,0	120,0	–	250	218,0	22720.0746	
Sfera spianata liscia, acciaio inox										
M 4	5,6	1,8	2,5	2,0	3,5	–	250	0,3	22720.0827	
M 4	7,6	1,8	2,5	2,0	3,5	–	250	0,4	22720.0828	
M 4	9,6	1,8	2,5	2,0	3,5	–	250	0,6	22720.0829	
M 4	11,6	1,8	2,5	2,0	3,5	–	250	0,7	22720.0830	
M 4	15,6	1,8	2,5	2,0	3,5	–	250	1,0	22720.0832	
M 5	7,5	2,2	3,0	2,5	4,5	–	250	0,6	22720.0833	
M 5	9,5	2,2	3,0	2,5	4,5	–	250	0,9	22720.0834	
M 5	11,5	2,2	3,0	2,5	4,5	–	250	1,1	22720.0835	
M 5	15,5	2,2	3,0	2,5	4,5	–	250	1,6	22720.0836	
M 5	19,5	2,2	3,0	2,5	4,5	–	250	2,0	22720.0837	
M 5	24,5	2,2	3,0	2,5	4,5	–	250	2,6	22720.0838	
M 6	10,0	3,2	4,0	3,0	9,0	–	250	1,3	22720.0840	
M 6	12,0	3,2	4,0	3,0	9,0	–	250	1,6	22720.0842	
M 6	16,0	3,2	4,0	3,0	9,0	–	250	2,3	22720.0844	
M 6	20,0	3,2	4,0	3,0	9,0	–	250	3,0	22720.0845	
M 6	25,0	3,2	4,0	3,0	9,0	–	250	3,8	22720.0846	
M 8	10,0	4,5	5,5	4,0	15,0	–	250	2,4	22720.0850	
M 8	12,0	4,5	5,5	4,0	15,0	–	250	2,8	22720.0852	
M 8	16,0	4,5	5,5	4,0	15,0	–	250	4,1	22720.0853	
M 8	20,0	4,5	5,5	4,0	15,0	–	250	5,1	22720.0854	
M 8	25,0	4,5	5,5	4,0	15,0	–	250	6,7	22720.0855	
M 8	30,0	4,5	5,5	4,0	15,0	–	250	8,2	22720.0856	
M10	12,0	6,0	7,0	5,0	20,0	–	250	4,5	22720.0860	
M10	16,0	6,0	7,0	5,0	20,0	–	250	5,9	22720.0862	
M10	20,0	6,0	7,0	5,0	20,0	–	250	7,8	22720.0863	
M10	25,0	6,0	7,0	5,0	20,0	–	250	10,0	22720.0864	
M10	30,0	6,0	7,0	5,0	20,0	–	250	13,0	22720.0865	
M10	35,0	6,0	7,0	5,0	20,0	–	250	15,0	22720.0866	
M10	40,0	6,0	7,0	5,0	20,0	–	250	18,0	22720.0868	
M12	16,0	7,2	8,5	6,0	30,0	–	250	8,8	22720.0870	
M12	20,0	7,2	8,5	6,0	30,0	–	250	11,0	22720.0872	

¹⁾ I valori di carico indicati non valgono per l'esecuzione in acciaio inox (eccetto i modelli dotati di sfera in plastica)

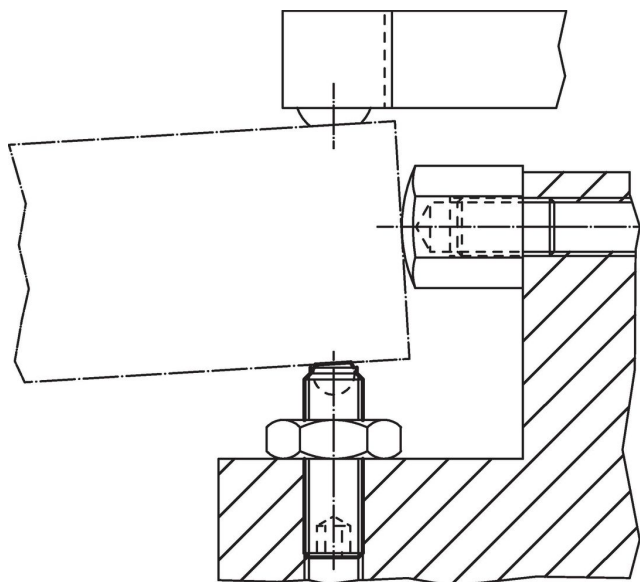
d ₁	Dimensioni			SW [mm]	Carico solo statico ¹⁾ max. [kN]	 min. max. [°C]		 [g]	Codice	
	l ₂	d ₃	Diametro sfera			[mm]				
M12	25,0	7,2	8,5	6,0	30,0	–	250	14,0	22720.0873	
M12	30,0	7,2	8,5	6,0	30,0	–	250	18,0	22720.0874	
M12	40,0	7,2	8,5	6,0	30,0	–	250	25,0	22720.0876	
M12	50,0	7,2	8,5	6,0	30,0	–	250	32,0	22720.0878	
M16	20,0	10,7	12,0	8,0	60,0	–	250	21,0	22720.0880	
M16	25,0	10,7	12,0	8,0	60,0	–	250	26,0	22720.0882	
M16	35,0	10,7	12,0	8,0	60,0	–	250	40,0	22720.0884	
M16	50,0	10,7	12,0	8,0	60,0	–	250	60,0	22720.0886	
Sfera spianata, liscia, in plastica, Acciaio										
M 4	5,9	1,8	2,5	2,0	0,3	-30	80	0,4	22720.0452	
M 4	7,9	1,8	2,5	2,0	0,3	-30	80	0,3	22720.0453	
M 4	9,9	1,8	2,5	2,0	0,3	-30	80	0,5	22720.0454	
M 4	11,9	1,8	2,5	2,0	0,3	-30	80	0,7	22720.0455	
M 4	15,9	1,8	2,5	2,0	0,3	-30	80	0,9	22720.0456	
M 5	7,8	2,1	3,0	2,5	0,5	-30	80	0,6	22720.0462	
M 5	9,8	2,1	3,0	2,5	0,5	-30	80	0,8	22720.0463	
M 5	11,8	2,1	3,0	2,5	0,5	-30	80	1,0	22720.0464	
M 5	15,8	2,1	3,0	2,5	0,5	-30	80	1,5	22720.0465	
M 5	19,8	2,1	3,0	2,5	0,5	-30	80	1,9	22720.0466	
M 5	24,8	2,1	3,0	2,5	0,5	-30	80	2,5	22720.0467	
M 6	10,3	3,0	4,0	3,0	0,9	-30	80	1,1	22720.0472	
M 6	12,3	3,0	4,0	3,0	0,9	-30	80	1,4	22720.0473	
M 6	16,3	3,0	4,0	3,0	0,9	-30	80	2,1	22720.0474	
M 6	20,3	3,0	4,0	3,0	0,9	-30	80	2,8	22720.0475	
M 6	25,3	3,0	4,0	3,0	0,9	-30	80	3,6	22720.0476	
M 8	10,4	4,2	5,5	4,0	1,5	-30	80	1,9	22720.0482	
M 8	12,4	4,2	5,5	4,0	1,5	-30	80	2,3	22720.0483	
M 8	16,4	4,2	5,5	4,0	1,5	-30	80	3,4	22720.0484	
M 8	20,4	4,2	5,5	4,0	1,5	-30	80	4,6	22720.0485	
M 8	25,4	4,2	5,5	4,0	1,5	-30	80	6,2	22720.0486	
M 8	30,4	4,2	5,5	4,0	1,5	-30	80	7,8	22720.0487	
Sfera spianata, liscia, in plastica, acciaio inox										
M 4	5,9	1,8	2,5	2,0	0,3	-30	80	0,4	22720.0492	
M 4	7,9	1,8	2,5	2,0	0,3	-30	80	0,3	22720.0493	
M 4	9,9	1,8	2,5	2,0	0,3	-30	80	0,5	22720.0494	
M 4	11,9	1,8	2,5	2,0	0,3	-30	80	0,7	22720.0495	
M 4	15,9	1,8	2,5	2,0	0,3	-30	80	0,9	22720.0496	
M 5	7,8	2,1	3,0	2,5	0,5	-30	80	0,6	22720.0502	
M 5	9,8	2,1	3,0	2,5	0,5	-30	80	0,8	22720.0503	
M 5	11,8	2,1	3,0	2,5	0,5	-30	80	1,0	22720.0504	
M 5	15,8	2,1	3,0	2,5	0,5	-30	80	1,5	22720.0505	
M 5	19,8	2,1	3,0	2,5	0,5	-30	80	1,9	22720.0506	
M 5	24,8	2,1	3,0	2,5	0,5	-30	80	2,5	22720.0507	
M 6	10,3	3,0	4,0	3,0	0,9	-30	80	1,1	22720.0512	
M 6	12,3	3,0	4,0	3,0	0,9	-30	80	1,4	22720.0513	
M 6	16,3	3,0	4,0	3,0	0,9	-30	80	2,1	22720.0514	
M 6	20,3	3,0	4,0	3,0	0,9	-30	80	2,8	22720.0515	
M 6	25,3	3,0	4,0	3,0	0,9	-30	80	3,6	22720.0516	
M 8	10,4	4,2	5,5	4,0	1,5	-30	80	1,9	22720.0522	
M 8	12,4	4,2	5,5	4,0	1,5	-30	80	2,3	22720.0523	
M 8	16,4	4,2	5,5	4,0	1,5	-30	80	3,4	22720.0524	
M 8	20,4	4,2	5,5	4,0	1,5	-30	80	4,6	22720.0525	
M 8	25,4	4,2	5,5	4,0	1,5	-30	80	6,2	22720.0526	
M 8	30,4	4,2	5,5	4,0	1,5	-30	80	7,8	22720.0527	
Con piano zigrinato, Acciaio										
M 8	10,0	4,5	5,5	4,0	15,0	–	250	2,4	22720.0891	
M 8	12,0	4,5	5,5	4,0	15,0	–	250	2,7	22720.0892	
M 8	16,0	4,5	5,5	4,0	15,0	–	250	3,9	22720.0893	
M 8	20,0	4,5	5,5	4,0	15,0	–	250	5,1	22720.0894	
M 8	25,0	4,5	5,5	4,0	15,0	–	250	6,7	22720.0895	

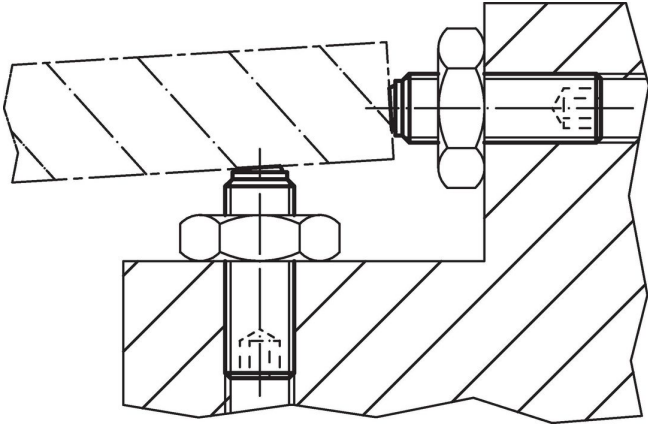
¹⁾ I valori di carico indicati non valgono per l'esecuzione in acciaio inox (eccetto i modelli dotati di sfera in plastica)

d ₁	Dimensioni			SW [mm]	Carico solo statico ¹⁾ max. [kN]	 min. max. [°C]		 [g]	Codice
	l ₂	d ₃	Diametro sfera			[mm]			
M 8	30,0	4,5	5,5	4,0	15,0	–	250	8,2	22720.0896
M10	12,0	6,0	7,0	5,0	20,0	–	250	4,5	22720.0901
M10	16,0	6,0	7,0	5,0	20,0	–	250	5,8	22720.0902
M10	20,0	6,0	7,0	5,0	20,0	–	250	7,7	22720.0903
M10	25,0	6,0	7,0	5,0	20,0	–	250	10,0	22720.0904
M10	30,0	6,0	7,0	5,0	20,0	–	250	13,0	22720.0905
M10	35,0	6,0	7,0	5,0	20,0	–	250	15,0	22720.0906
M10	40,0	6,0	7,0	5,0	20,0	–	250	17,0	22720.0908
M12	16,0	7,2	8,5	6,0	30,0	–	250	8,8	22720.0921
M12	20,0	7,2	8,5	6,0	30,0	–	250	10,0	22720.0922
M12	25,0	7,2	8,5	6,0	30,0	–	250	14,0	22720.0923
M12	30,0	7,2	8,5	6,0	30,0	–	250	18,0	22720.0924
M12	40,0	7,2	8,5	6,0	30,0	–	250	25,0	22720.0926
M12	50,0	7,2	8,5	6,0	30,0	–	250	32,0	22720.0928
M16	20,0	10,7	12,0	8,0	60,0	–	250	21,0	22720.0961
M16	25,0	10,7	12,0	8,0	60,0	–	250	26,0	22720.0962
M16	35,0	10,7	12,0	8,0	60,0	–	250	40,0	22720.0964
M16	50,0	10,7	12,0	8,0	60,0	–	250	60,0	22720.0966
M20	30,0	13,5	15,0	10,0	90,0	–	250	49,0	22720.0972
M20	40,0	13,5	15,0	10,0	90,0	–	250	70,0	22720.0974
M20	50,0	13,5	15,0	10,0	90,0	–	250	91,0	22720.0975
M20	60,0	13,5	15,0	10,0	90,0	–	250	111,0	22720.0976
M24	35,0	15,8	18,0	12,0	120,0	–	250	84,0	22720.0982
M24	50,0	15,8	18,0	12,0	120,0	–	250	125,0	22720.0984
M24	80,0	15,8	18,0	12,0	120,0	–	250	217,0	22720.0986

¹⁾ I valori di carico indicati non valgono per l'esecuzione in acciaio inox (eccetto i modelli dotati di sfera in plastica)

Esempio di applicazione





Conformità

Per informazioni dettagliate sulla conformità selezionare il numero di articolo desiderato.