

## Hinges • with adjustable friction resistance

EH 25160.



### Product Description

These Hinges are characterised by their compact and stable construction, and by the ability to set the friction.

The design ensures that the hinge has no play (either radially or axially).

### Material

#### Friction cone

- Thermoplastic POM

#### Body

- Zinc die-cast, plastic coated, silver, similar to RAL 9006, matt structure
- Zinc die-cast, plastic coated, black, similar to RAL 9005, matt structure

#### Hinge pin

- Steel, zinc-plated by galvanization, passivated

#### Nut

- Steel, zinc-plated by galvanization, passivated

### Assembly

Installation of the hinge on the component.

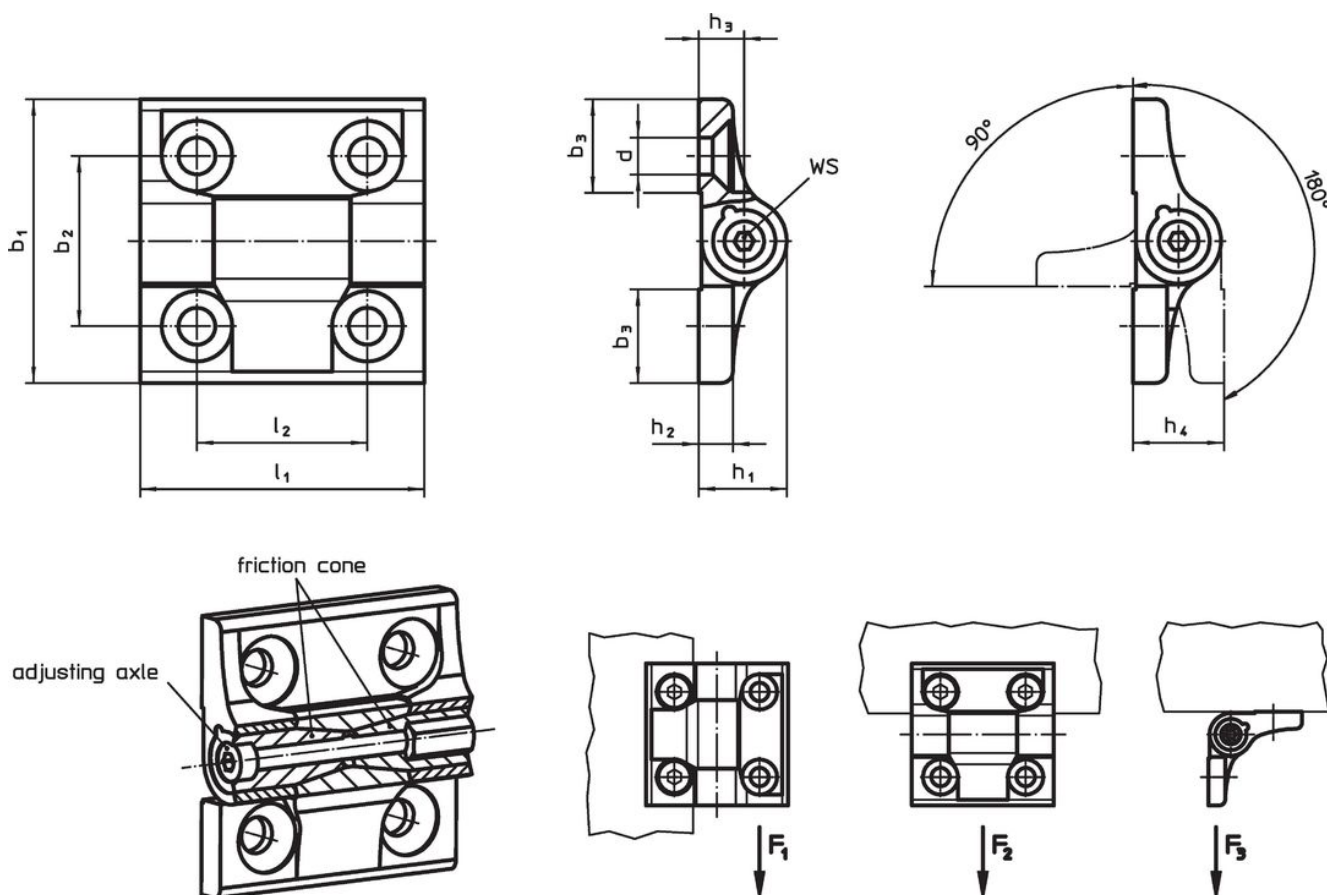
The hinge's ease of pivoting can then be adjusted by tightening or loosening the hinge pin. This allows a constant braking torque to be applied throughout the pivot range.

### More information

#### Further products

- Spacer Plates, for hinges
- Threaded Plates, for hinges
- Stops, for hinges

### Drawing



Order information

Dimensions											WS	Load capacity			Hinge pin		max.	max.	Art. No.
b <sub>1</sub>	b <sub>2</sub>	b <sub>3</sub>	d	h <sub>1</sub>	h <sub>2</sub>	h <sub>3</sub>	h <sub>4</sub>	l <sub>1</sub>	l <sub>2</sub>			Radial load bearing capacity F <sub>1</sub> max.	Axial load bearing capacity F <sub>2</sub> max.	Load capacity F <sub>3</sub> max.	Tightening torque max.	Friction torque			
[mm]											[mm]	[kN]			[Nm]				
<b>silver</b>																			
40	25	13.0	5.3	13.5	5.0	7.0	14	40	25	2.5	2.4	1.2	1.5	0.50	2.0	80	55	25160.0400	
50	30	16.5	6.5	15.5	6.0	8.0	16	50	30	3.0	3.2	1.6	2.0	0.75	4.0	80	94	25160.0405	
60	36	20.0	8.3	18.5	7.5	9.5	19	60	36	4.0	4.5	2.0	2.4	1.50	6.5	80	162	25160.0410	
<b>black</b>																			
40	25	13.0	5.3	13.5	5.0	7.0	14	40	25	2.5	2.4	1.2	1.5	0.50	2.0	80	55	25160.0500	
50	30	16.5	6.5	15.5	6.0	8.0	16	50	30	3.0	3.2	1.6	2.0	0.75	4.0	80	94	25160.0505	
60	36	20.0	8.3	18.5	7.5	9.5	19	60	36	4.0	4.5	2.0	2.4	1.50	6.5	80	162	25160.0510	

Compliance

RoHS compliant

Contains lead - compliant according to exceptions 6a / 6b / 6c.

Contains SVHC substances >0,1% w/w

Contains lead - SVHC list [REACH] as of 23.01.2024.

Contains Proposition 65 substances



Lead can cause cancer and reproductive harm from exposure  
<https://www.P65Warnings.ca.gov/>

Free from Conflict Minerals

This product does not contain any substances designated as "conflict minerals" such as tantalum, tin, gold or tungsten from the Democratic Republic of Congo or adjacent countries.