

Rubber Metal Buffers • cylindrical

EH 25150.



Product Description

To be used for elastic bearing of motors, compressors, pumps etc.
The hardness is $55 \pm 5^\circ$ shore A. Further shore hardnesses ($40 \pm 5^\circ$ shore A and $70 \pm 5^\circ$ shore A) on request.

Material

Support washer

- Steel, zinc-plated, blue chromated

Threaded bushing

- Steel, zinc-plated, blue chromated

Body

- Rubber natural caoutchouc (NR), black

Screw



- Steel, zinc-plated, blue chromated



Drawing



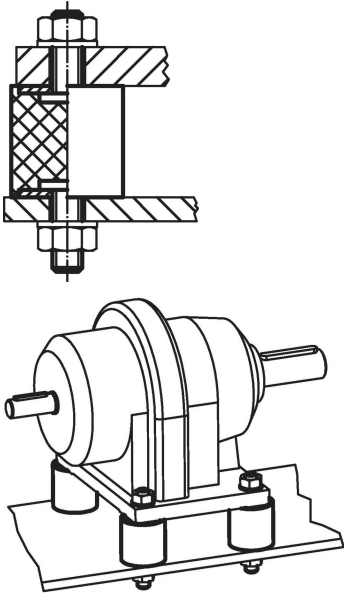
Order information

Dimensions						Spring rate R	Load capacity max.	Spring range	Temperature		Weight	Art. No.
d ₁ ±1.5	l ₁ ±1.5	d ₂	l ₂	s	t	~ [N/mm]	[N]	~ [mm]	min. max.	[°C]	[g]	
[mm]												
with female thread, on both sides – picture 1												
8	8	M 3	–	1.0	3.0	38	75	2.00	-30	80	1.0	25150.0003
10	10	M 4	–	1.2	4.0	36	90	2.50	-30	80	2.5	25150.0006
10	15	M 4	–	1.2	4.0	17	65	3.75	-30	80	2.9	25150.0007
15	10	M 4	–	1.4	4.0	80	200	2.50	-30	80	5.2	25150.0008
15	15	M 4	–	1.4	4.0	36	135	3.75	-30	80	6.2	25150.0009
15	20	M 4	–	1.4	4.0	30	152	5.00	-30	80	7.4	25150.0010
20	15	M 6	–	2.0	5.0	95	355	3.75	-30	80	13.0	25150.0021
20	20	M 6	–	2.0	5.0	53	267	5.00	-30	80	14.0	25150.0022
20	25	M 6	–	2.0	5.0	50	315	6.25	-30	80	16.0	25150.0023
25	20	M 6	–	2.0	5.0	121	605	5.00	-30	80	22.0	25150.0026
25	25	M 6	–	2.0	5.0	85	530	6.25	-30	80	30.0	25150.0027
25	30	M 6	–	2.0	5.0	77	575	7.50	-30	80	30.0	25150.0028
30	30	M 8	–	2.0	6.5	114	855	7.50	-30	80	50.0	25150.0031
30	40	M 8	–	2.0	6.5	76	757	10.00	-30	80	50.0	25150.0032
40	30	M 8	–	2.0	6.5	205	1535	7.50	-30	80	80.0	25150.0041
40	40	M 8	–	2.0	6.5	164	1635	10.00	-30	80	100.0	25150.0042
50	30	M10	–	2.0	7.0	343	2570	7.50	-30	80	130.0	25150.0051

Dimensions						Spring rate R	Load capacity max.	Spring range	 min. max. [°C]		 [g]	Art. No.
d ₁ ±1.5	l ₁ ±1.5	d ₂	l ₂	s	t	[N/mm]	[N]	[mm]				
[mm]												
50	40	M10	–	2.0	7.0	245	2445	10.00	-30	80	150.0	25150.0052
50	50	M10	–	2.0	7.0	178	2225	12.50	-30	80	166.0	25150.0053
60	30	M10	–	2.0	7.0	453	3400	7.50	-30	80	190.0	25150.0061
60	40	M10	–	2.0	7.0	330	3300	10.00	-30	80	220.0	25150.0062
70	45	M10	–	3.0	7.0	356	4000	11.25	-30	80	340.0	25150.0071
75	40	M12	–	3.0	9.0	465	4650	10.00	-30	80	360.0	25150.0076
75	55	M12	–	3.0	9.0	327	4500	13.75	-30	80	450.0	25150.0077
with female thread and screw – picture 2												
8	8	M 3	6	1.0	3.0	38	75	2.00	-30	80	1.2	25150.0103
10	10	M 4	10	1.2	4.0	36	90	2.50	-30	80	2.4	25150.0106
10	15	M 4	10	1.2	4.0	17	65	3.75	-30	80	2.8	25150.0107
15	10	M 4	10	1.4	4.0	80	200	2.50	-30	80	5.7	25150.0108
15	15	M 4	10	1.4	4.0	35	130	3.75	-30	80	6.6	25150.0109
15	20	M 4	10	1.4	4.0	30	150	5.00	-30	80	7.6	25150.0110
20	15	M 6	18	2.0	5.0	95	355	3.75	-30	80	15.0	25150.0121
20	20	M 6	18	2.0	5.0	53	265	5.00	-30	80	17.0	25150.0122
20	25	M 6	18	2.0	5.0	50	315	6.25	-30	80	18.0	25150.0123
25	15	M 6	18	2.0	5.0	184	690	3.75	-30	80	26.0	25150.0126
25	20	M 6	18	2.0	5.0	121	605	5.00	-30	80	26.0	25150.0127
25	30	M 6	18	2.0	5.0	76	570	7.50	-30	80	36.0	25150.0128
30	15	M 8	20	2.0	6.5	143	535	3.75	-30	80	41.0	25150.0131
30	30	M 8	20	2.0	6.5	113	850	7.50	-30	80	50.0	25150.0132
40	20	M 8	23	2.0	6.5	302	1510	5.00	-30	80	72.0	25150.0141
40	30	M 8	23	2.0	6.5	204	1530	7.50	-30	80	85.0	25150.0142
40	40	M 8	23	2.0	6.5	163	1630	10.00	-30	80	98.0	25150.0143
50	20	M10	28	2.0	7.0	720	3600	5.00	-30	80	115.0	25150.0151
50	30	M10	28	2.0	7.0	343	2575	7.50	-30	80	135.0	25150.0152
50	40	M10	28	2.0	7.0	244	2440	10.00	-30	80	160.0	25150.0153
50	50	M10	28	2.0	7.0	176	2200	12.50	-30	80	185.0	25150.0154
60	30	M10	28	2.0	7.0	453	3400	7.50	-30	80	200.0	25150.0161
60	40	M10	28	2.0	7.0	333	3330	10.00	-30	80	220.0	25150.0162
70	45	M10	27	3.0	7.0	356	4000	11.25	-30	80	372.0	25150.0171
75	40	M12	37	3.0	9.0	460	4600	10.00	-30	80	385.0	25150.0176
75	55	M12	37	3.0	9.0	328	4510	13.75	-30	80	453.0	25150.0177
with screw, on both sides – picture 3												
8	8	M 3	6	1.0	–	35	70	2.00	-30	80	1.4	25150.0203
10	10	M 4	10	1.2	–	36	89	2.50	-30	80	3.0	25150.0206
10	15	M 4	10	1.2	–	16	60	3.75	-30	80	3.5	25150.0207
15	10	M 4	10	1.4	–	79	198	2.50	-30	80	6.1	25150.0208
15	15	M 4	10	1.4	–	33	125	3.75	-30	80	7.1	25150.0209
15	20	M 4	10	1.4	–	29	145	5.00	-30	80	8.1	25150.0210
20	15	M 6	18	2.0	–	94	352	3.75	-30	80	18.0	25150.0221
20	20	M 6	18	2.0	–	52	260	5.00	-30	80	19.0	25150.0222
20	25	M 6	18	2.0	–	50	310	6.25	-30	80	20.0	25150.0223
25	15	M 6	18	2.0	–	183	687	3.75	-30	80	28.0	25150.0226
25	20	M 6	18	2.0	–	120	602	5.00	-30	80	32.0	25150.0227
25	30	M 6	18	2.0	–	75	562	7.50	-30	80	39.0	25150.0228
30	15	M 8	20	2.0	–	142	534	3.75	-30	80	45.0	25150.0231
30	30	M 8	20	2.0	–	112	843	7.50	-30	80	58.0	25150.0232
40	20	M 8	23	2.0	–	300	1500	5.00	-30	80	80.0	25150.0241
40	30	M 8	23	2.0	–	204	1527	7.50	-30	80	95.0	25150.0242
40	40	M 8	23	2.0	–	162	1620	10.00	-30	80	100.0	25150.0243
50	20	M10	28	2.0	–	718	3589	5.00	-30	80	130.0	25150.0251
50	30	M10	28	2.0	–	343	2570	7.50	-30	80	150.0	25150.0252
50	40	M10	28	2.0	–	244	2436	10.00	-30	80	170.0	25150.0253
50	50	M10	28	2.0	–	176	2198	12.50	-30	80	187.0	25150.0254
60	30	M10	28	2.0	–	453	3400	7.50	-30	80	210.0	25150.0261

Dimensions						Spring rate R ~ [N/mm]	Load capacity max. [N]	Spring range ~ [mm]	 min. max. [°C]		 [g]	Art. No.
d ₁ ±1.5	l ₁ ±1.5	d ₂	l ₂	s	t ~				[mm]			
60	40	M10	28	2.0	-	330	3300	10.00	-30	80	236.0	25150.0262
70	45	M10	27	3.0	-	356	4000	11.25	-30	80	380.0	25150.0271
75	40	M12	37	3.0	-	450	4500	10.00	-30	80	410.0	25150.0276
75	55	M12	37	3.0	-	320	4400	13.75	-30	80	515.0	25150.0277

Application example



Compliance

RoHS compliant

Contains lead - compliant according to exceptions 6a / 6b / 6c.

Contains SVHC substances >0,1% w/w

Contains lead - SVHC list [REACH] as of 23.01.2024.

Contains Proposition 65 substances



Lead can cause cancer and reproductive harm from exposure
<https://www.P65Warnings.ca.gov/>

Free from Conflict Minerals

This product does not contain any substances designated as "conflict minerals" such as tantalum, tin, gold or tungsten from the Democratic Republic of Congo or adjacent countries.