

Set Collars

EH 25069.



Product Description

Set collars with universal applicability, e.g. as a fixed stop.
Set collars with strong clamping force.

Material

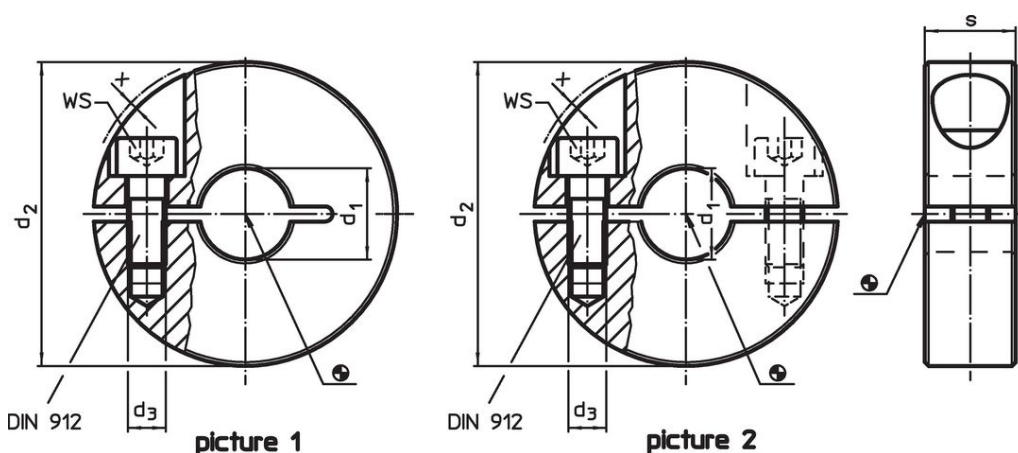
Screw

- Steel
- Stainless steel


Set collar


- Steel, black, steam oxidized
- Stainless steel 1.4404

Drawing

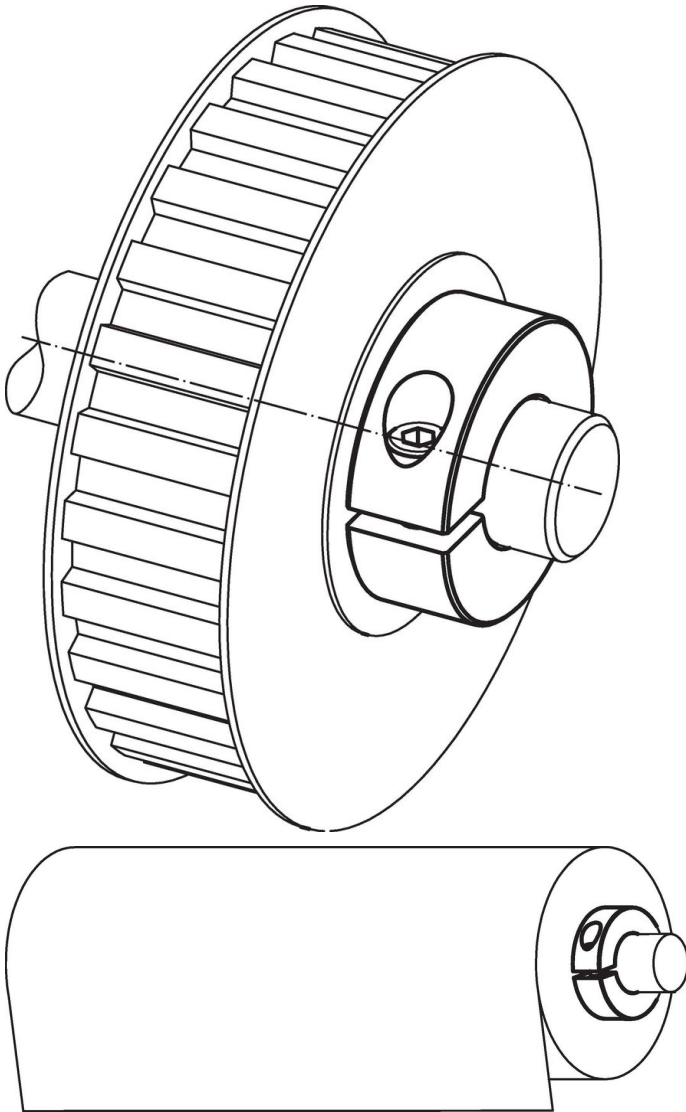


Order information

d_1 H10	d_2	Dimensions d_3 [mm]	s	x	WS [mm]	 [g]	Art. No.
slotted – picture 1, Steel							
6	20	M3	9	1.2	2.5	20	25069.0006
8	22	M3	9	1.0	2.5	18	25069.0008
10	26	M4	11	1.6	3.0	32	25069.0010
12	30	M4	11	0.7	3.0	42	25069.0012
14	32	M4	11	0.7	3.0	40	25069.0014
15	36	M5	13	1.4	4.0	70	25069.0015
16	36	M5	13	1.4	4.0	68	25069.0016
18	42	M5	15	0.6	4.0	109	25069.0018
20	42	M5	15	0.6	4.0	103	25069.0020
22	48	M5	15	0.0	4.0	138	25069.0022
25	48	M5	15	0.0	4.0	126	25069.0025
28	55	M6	15	0.5	5.0	171	25069.0028
30	55	M6	15	0.5	5.0	162	25069.0030
32	60	M6	15	0.4	5.0	196	25069.0032
35	60	M6	15	0.4	5.0	178	25069.0035
40	65	M6	15	0.5	5.0	200	25069.0040
slotted – picture 1, Stainless steel							
6	20	M3	9	1.2	2.5	20	25069.0106
8	22	M3	9	1.0	2.5	18	25069.0108
10	26	M4	11	1.6	3.0	32	25069.0110
12	30	M4	11	0.7	3.0	42	25069.0112

d ₁ H10	d ₂	Dimensions			WS		Art. No.
		d ₃	s	x			
		[mm]			[mm]	[g]	
14	32	M4	11	0.7	3.0	40	25069.0114
15	36	M5	13	1.4	4.0	70	25069.0115
16	36	M5	13	1.4	4.0	68	25069.0116
18	42	M5	15	0.6	4.0	109	25069.0118
20	42	M5	15	0.6	4.0	103	25069.0120
22	48	M5	15	0.0	4.0	138	25069.0122
25	48	M5	15	0.0	4.0	126	25069.0125
28	55	M6	15	0.5	5.0	171	25069.0128
30	55	M6	15	0.5	5.0	162	25069.0130
32	60	M6	15	0.4	5.0	196	25069.0132
35	60	M6	15	0.4	5.0	178	25069.0135
40	65	M6	15	0.5	5.0	200	25069.0140
divided – picture 2, Steel							
6	20	M3	9	1.2	2.5	15	25069.0206
8	22	M3	9	1.0	2.5	20	25069.0208
10	26	M4	11	1.6	3.0	31	25069.0210
12	30	M4	11	0.7	3.0	39	25069.0212
14	32	M4	11	0.7	3.0	43	25069.0214
15	36	M5	13	1.4	4.0	65	25069.0215
16	36	M5	13	1.4	4.0	64	25069.0216
18	42	M5	15	0.6	4.0	103	25069.0218
20	42	M5	15	0.6	4.0	98	25069.0220
22	48	M5	15	0.0	4.0	135	25069.0222
25	48	M5	15	0.0	4.0	122	25069.0225
28	55	M6	15	0.5	5.0	165	25069.0228
30	55	M6	15	0.5	5.0	153	25069.0230
32	60	M6	15	0.4	5.0	187	25069.0232
35	60	M6	15	0.4	5.0	170	25069.0235
40	65	M6	15	0.5	5.0	189	25069.0240
divided – picture 2, Stainless steel							
6	20	M3	9	1.2	2.5	15	25069.0306
8	22	M3	9	1.0	2.5	20	25069.0308
10	26	M4	11	1.6	3.0	31	25069.0310
12	30	M4	11	0.7	3.0	39	25069.0312
14	32	M4	11	0.7	3.0	43	25069.0314
15	36	M5	13	1.4	4.0	65	25069.0315
16	36	M5	13	1.4	4.0	64	25069.0316
18	42	M5	15	0.6	4.0	103	25069.0318
20	42	M5	15	0.6	4.0	98	25069.0320
22	48	M5	15	0.0	4.0	135	25069.0322
25	48	M5	15	0.0	4.0	122	25069.0325
28	55	M6	15	0.5	5.0	165	25069.0328
30	55	M6	15	0.5	5.0	153	25069.0330
32	60	M6	15	0.4	5.0	187	25069.0332
35	60	M6	15	0.4	5.0	170	25069.0335
40	65	M6	15	0.5	5.0	189	25069.0340

Application example



Compliance

For detailed compliance information please select the desired article number.