

High Knurled Thumb Screws • DIN 464

EH 24790.



Product Description

Knurled screws are one-piece manufactured. Contrary to the Standard Sheet, they are generally manufactured with a thread up to the head and with runout without undercut at the end of the thread. The screws can therefore not be screwed in up to the collar.

Material

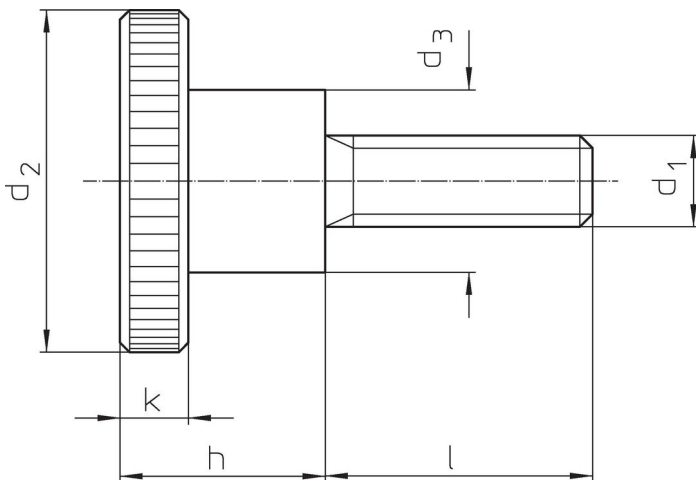
- Steel, blackened, quality 5.8
- Steel, zinc-plated by galvanization, quality 5.8
- Stainless steel 1.4305, dull blasted

More information

Notes


Knurling pitch and knurling depth may differ from DIN.


Drawing



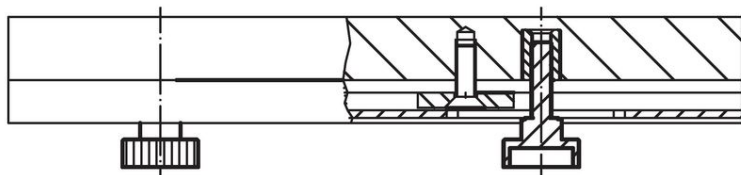
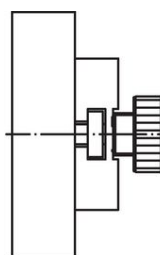
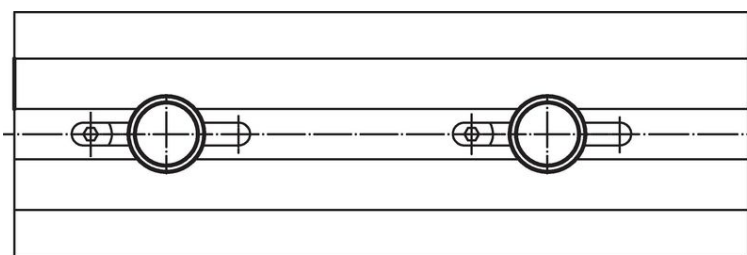
Order information

d ₁	l	d ₂	Dimensions		h	k	[g]	Art. No.
			d ₃	[mm]				
Steel, blackened, quality 5.8								
M 3	6	12	6		7.5	2.5	3.7	24790.0074
M 3	10	12	6		7.5	2.5	3.8	24790.0076
M 3	12	12	6		7.5	2.5	4.0	24790.0077
M 3	16	12	6		7.5	2.5	4.0	24790.0079
M 3	20	12	6		7.5	2.5	4.5	24790.0081
M 4	5	16	8		9.5	3.5	7.7	24790.0092
M 4	8	16	8		9.5	3.5	8.0	24790.0094
M 4	10	16	8		9.5	3.5	8.1	24790.0095
M 4	12	16	8		9.5	3.5	8.6	24790.0096
M 4	16	16	8		9.5	3.5	8.4	24790.0098
M 4	20	16	8		9.5	3.5	9.1	24790.0100
M 4	25	16	8		9.5	3.5	9.0	24790.0102
M 5	6	20	10		11.5	4.0	14.0	24790.0112
M 5	8	20	10		11.5	4.0	15.0	24790.0113
M 5	10	20	10		11.5	4.0	15.0	24790.0114
M 5	12	20	10		11.5	4.0	15.0	24790.0115
M 5	16	20	10		11.5	4.0	16.0	24790.0117
M 5	20	20	10		11.5	4.0	16.0	24790.0119
M 5	25	20	10		11.5	4.0	17.0	24790.0121
M 5	30	20	10		11.5	4.0	17.0	24790.0123
M 6	8	24	12		15.0	5.0	28.0	24790.0132
M 6	10	24	12		15.0	5.0	27.0	24790.0133

d ₁	l	Dimensions				h	k		Art. No.
		d ₂	d ₃	[mm]					
M 6	12	24	12	15.0	5.0	28.0	24790.0134		
M 6	16	24	12	15.0	5.0	28.0	24790.0136		
M 6	20	24	12	15.0	5.0	29.0	24790.0138		
M 6	25	24	12	15.0	5.0	30.0	24790.0140		
M 6	30	24	12	15.0	5.0	31.0	24790.0142		
M 6	35	24	12	15.0	5.0	31.0	24790.0144		
M 8	12	30	16	18.0	6.0	53.0	24790.0152		
M 8	16	30	16	18.0	6.0	55.0	24790.0154		
M 8	20	30	16	18.0	6.0	56.0	24790.0156		
M 8	25	30	16	18.0	6.0	58.0	24790.0158		
M 8	30	30	16	18.0	6.0	60.0	24790.0160		
M 8	35	30	16	18.0	6.0	62.0	24790.0162		
M 8	40	30	16	18.0	6.0	61.0	24790.0164		
M10	15	36	20	23.0	8.0	104.0	24790.0171		
M10	20	36	20	23.0	8.0	106.0	24790.0173		
M10	25	36	20	23.0	8.0	109.0	24790.0175		
M10	30	36	20	23.0	8.0	112.0	24790.0177		
M10	35	36	20	23.0	8.0	116.0	24790.0179		
M10	40	36	20	23.0	8.0	116.0	24790.0181		
Steel, zinc-plated by galvanization									
M 3	6	12	6	7.5	2.5	4.0	24790.0474		
M 3	8	12	6	7.5	2.5	4.0	24790.0475		
M 3	10	12	6	7.5	2.5	4.0	24790.0476		
M 3	12	12	6	7.5	2.5	4.0	24790.0477		
M 3	16	12	6	7.5	2.5	5.0	24790.0479		
M 3	20	12	6	7.5	2.5	5.0	24790.0481		
M 4	5	16	8	9.5	3.5	9.0	24790.0492		
M 4	8	16	8	9.5	3.5	8.0	24790.0494		
M 4	10	16	8	9.5	3.5	8.0	24790.0495		
M 4	12	16	8	9.5	3.5	8.0	24790.0496		
M 4	16	16	8	9.5	3.5	8.0	24790.0498		
M 4	20	16	8	9.5	3.5	9.0	24790.0500		
M 4	25	16	8	9.5	3.5	9.0	24790.0502		
M 5	6	20	10	11.5	4.0	15.0	24790.0512		
M 5	8	20	10	11.5	4.0	15.0	24790.0513		
M 5	10	20	10	11.5	4.0	15.0	24790.0514		
M 5	12	20	10	11.5	4.0	14.0	24790.0515		
M 5	16	20	10	11.5	4.0	15.0	24790.0517		
M 5	20	20	10	11.5	4.0	16.0	24790.0519		
M 5	25	20	10	11.5	4.0	16.0	24790.0521		
M 5	30	20	10	11.5	4.0	17.0	24790.0523		
M 6	8	24	12	15.0	5.0	27.0	24790.0532		
M 6	10	24	12	15.0	5.0	27.0	24790.0533		
M 6	12	24	12	15.0	5.0	27.0	24790.0534		
M 6	16	24	12	15.0	5.0	28.0	24790.0536		
M 6	20	24	12	15.0	5.0	29.0	24790.0538		
M 6	25	24	12	15.0	5.0	28.0	24790.0540		
M 6	30	24	12	15.0	5.0	30.0	24790.0542		
M 6	35	24	12	15.0	5.0	31.0	24790.0544		
M 8	12	30	16	18.0	6.0	55.0	24790.0552		
M 8	16	30	16	18.0	6.0	55.0	24790.0554		
M 8	20	30	16	18.0	6.0	56.0	24790.0556		
M 8	25	30	16	18.0	6.0	58.0	24790.0558		
M 8	30	30	16	18.0	6.0	50.0	24790.0560		
M 8	35	30	16	18.0	6.0	63.0	24790.0562		
M 8	40	30	16	18.0	6.0	62.0	24790.0564		
M10	12	36	20	23.0	8.0	105.0	24790.0570		
M10	15	36	20	23.0	8.0	106.0	24790.0571		
M10	20	36	20	23.0	8.0	107.0	24790.0573		

d ₁	l	Dimensions				h	k	 [g]	Art. No.
		d ₂	d ₃	[mm]					
M10	25	36	20			23.0	8.0	110.0	24790.0575
M10	30	36	20			23.0	8.0	112.0	24790.0577
M10	35	36	20			23.0	8.0	115.0	24790.0579
M10	40	36	20			23.0	8.0	116.0	24790.0581
Stainless steel 1.4305									
M 3	6	12	6			7.5	2.5	3.7	24790.0274
M 3	10	12	6			7.5	2.5	3.8	24790.0276
M 3	12	12	6			7.5	2.5	4.0	24790.0277
M 3	16	12	6			7.5	2.5	4.0	24790.0279
M 4	8	16	8			9.5	3.5	8.0	24790.0294
M 4	10	16	8			9.5	3.5	8.1	24790.0295
M 4	12	16	8			9.5	3.5	8.6	24790.0296
M 4	16	16	8			9.5	3.5	8.4	24790.0298
M 4	20	16	8			9.5	3.5	9.1	24790.0300
M 4	25	16	8			9.5	3.5	9.0	24790.0302
M 5	10	20	10			11.5	4.0	15.0	24790.0314
M 5	12	20	10			11.5	4.0	15.0	24790.0315
M 5	16	20	10			11.5	4.0	16.0	24790.0317
M 5	20	20	10			11.5	4.0	16.0	24790.0319
M 5	25	20	10			11.5	4.0	17.0	24790.0321
M 5	30	20	10			11.5	4.0	17.0	24790.0323
M 6	12	24	12			15.0	5.0	28.0	24790.0334
M 6	16	24	12			15.0	5.0	28.0	24790.0336
M 6	20	24	12			15.0	5.0	29.0	24790.0338
M 6	25	24	12			15.0	5.0	30.0	24790.0340
M 6	30	24	12			15.0	5.0	31.0	24790.0342
M 6	35	24	12			15.0	5.0	31.0	24790.0344
M 8	16	30	16			18.0	6.0	55.0	24790.0354
M 8	20	30	16			18.0	6.0	56.0	24790.0356
M 8	25	30	16			18.0	6.0	58.0	24790.0358
M 8	30	30	16			18.0	6.0	60.0	24790.0360
M 8	35	30	16			18.0	6.0	62.0	24790.0362

Application example



Compliance

For detailed compliance information please select the desired article number.