

## Star Grips • Stainless steel

EH 24690.



### Product Description

#### Material

##### Handle

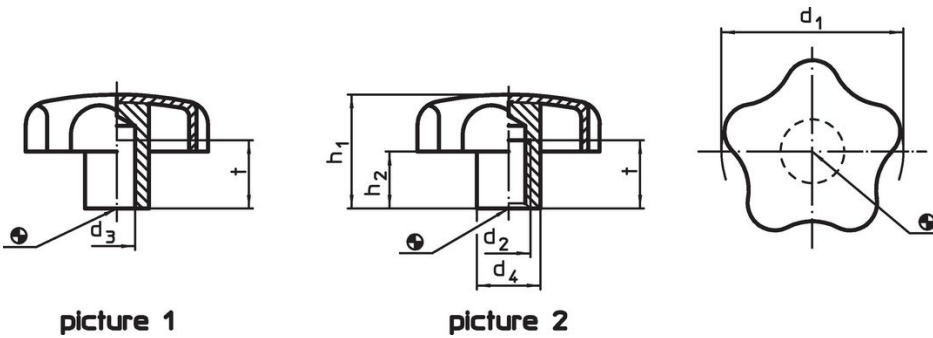
- Stainless steel 1.4301, dull blasted

#### More information

##### Notes

**Grip:** Sheet-iron drawn. **Hub:** Butt-welded

### Drawing



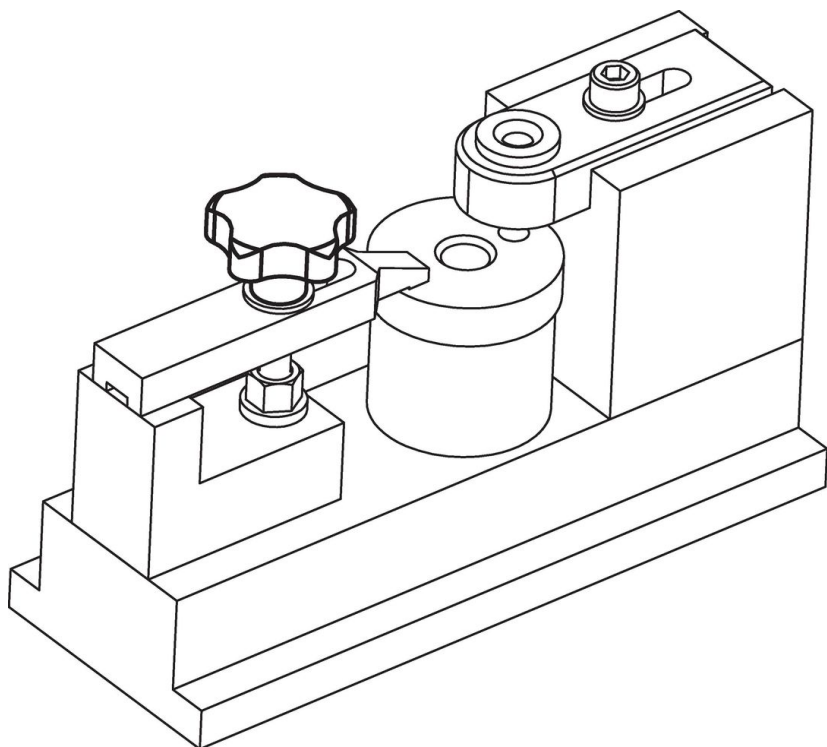
picture 1

picture 2

### Order information

d <sub>1</sub>	d <sub>2</sub>	d <sub>3</sub> H7	Dimensions				t min.	[g]	Art. No.
			d <sub>4</sub> [mm]	h <sub>1</sub> ~	h <sub>2</sub> ~				
<b>with smooth blind hole – picture 1</b>									
40	–	8	14	25	12.5	15	37	24690.0240	
50	–	10	18	32	17.5	18	68	24690.0250	
60	–	12	20	40	21.0	22	110	24690.0260	
<b>with threaded blind hole – picture 2</b>									
40	M 8	–	14	25	12.5	15	37	24690.0440	
50	M10	–	18	32	17.5	18	69	24690.0450	
60	M12	–	20	40	21.0	22	112	24690.0460	

## Application example



## Compliance

### RoHS compliant

Compliant according to Directive 2011/65/EU and Directive 2015/863.

### Does not contain SVHC substances

No SVHC substances with more than 0.1% w/w contained - SVHC list [REACH] as of 27.06.2024.

### Does not contain Proposition 65 substances

No Proposition 65 substances included.

<https://www.P65Warnings.ca.gov/>

### Free from Conflict Minerals

This product does not contain any substances designated as "conflict minerals" such as tantalum, tin, gold or tungsten from the Democratic Republic of Congo or adjacent countries.