

Spoked Handwheels • light metal

EH 24610.



Product Description

For all handwheels, the hub is machined, rim is turned and mirror-finished on all sides. The unmachined raw surfaces have been blasted clean. Together with their mirror-polished rim, these handwheels therefore present a finish which generally does not require additional lacquering.

Material

Axle part

- Steel, zinc-plated by galvanization

Handwheel

- Aluminium permanent-mould casting

Cylindrical handle EH 24530

- Thermosetting plastic PF 31, black similar to RAL 9005

Assembly

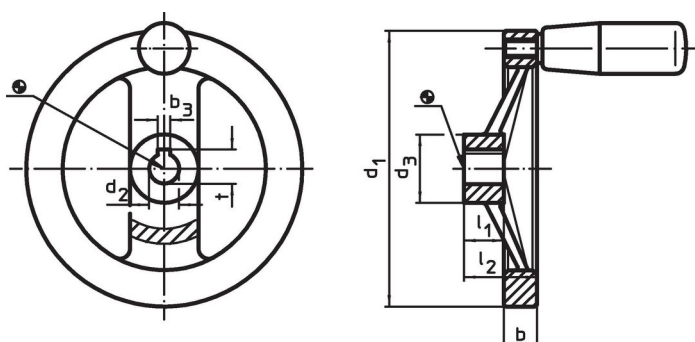
Shaft-end washers EH 22270. for axial fastening.

More information

Further products

- Shaft-End Washers
- Cylindrical Handles, rotating

Drawing



The orientation of the hub keyway may be different than shown in the drawing.

Order information

Dimensions						Hub keyway, DIN 6885 sheet 1		Corresponding cylindrical handle EH 24530.	🌡️ max.	🏷️ [g]	Art. No.
d ₁	d ₂ H7	d ₃	b	l ₁	l ₂ ~	b ₃	t	[mm]	[°C]	[g]	
[mm]						[mm]		[mm]			
without hub keyway, without cylindrical handle											
125	12	31	15.0	18	33	–	–	–	–	301	24610.0010
125	14	31	15.0	18	33	–	–	–	–	300	24610.0011
140	14	36	16.5	19	36	–	–	–	–	400	24610.0015
140	16	36	16.5	19	36	–	–	–	–	396	24610.0016
160	14	36	18.0	20	39	–	–	–	–	520	24610.0020
160	16	36	18.0	20	39	–	–	–	–	526	24610.0021
200	18	42	20.5	24	45	–	–	–	–	886	24610.0030
200	20	42	20.5	24	45	–	–	–	–	876	24610.0031
250	22	48	23.0	28	51	–	–	–	–	1454	24610.0040
250	26	48	23.0	28	51	–	–	–	–	1516	24610.0041
with hub keyway, without cylindrical handle											
125	12	31	15.0	18	33	4	13.8	–	–	303	24610.0110
125	14	31	15.0	18	33	5	16.3	–	–	306	24610.0111
140	14	36	16.5	19	36	5	16.3	–	–	406	24610.0115
140	16	36	16.5	19	36	5	18.3	–	–	404	24610.0116
160	14	36	18.0	20	39	5	16.3	–	–	542	24610.0120
160	16	36	18.0	20	39	5	18.3	–	–	525	24610.0121
200	18	42	20.5	24	45	6	20.8	–	–	887	24610.0130
200	20	42	20.5	24	45	6	22.8	–	–	875	24610.0131
250	22	48	23.0	28	51	6	24.8	–	–	1446	24610.0140
250	26	48	23.0	28	51	8	29.3	–	–	1443	24610.0141

Dimensions						Hub keyway, DIN 6885 sheet 1		Corresponding cylindrical handle EH 24530. [mm]	max. [°C]	[g]	Art. No.
d ₁	d ₂ H7	d ₃	b	l ₁	l ₂ ~	b ₃	t				
[mm]						[mm]					
without hub keyway, with cylindrical handle EH 24530.											
125	12	31	15.0	18	33	-	-	23 x M 8	110	390	24610.0210
125	14	31	15.0	18	33	-	-	23 x M 8	110	390	24610.0211
140	14	36	16.5	19	36	-	-	23 x M 8	110	490	24610.0215
140	16	36	16.5	19	36	-	-	23 x M 8	110	490	24610.0216
160	14	36	18.0	20	39	-	-	26 x M10	110	645	24610.0220
160	16	36	18.0	20	39	-	-	26 x M10	110	645	24610.0221
200	18	42	20.5	24	45	-	-	26 x M10	110	1000	24610.0230
200	20	42	20.5	24	45	-	-	26 x M10	110	1000	24610.0231
250	22	48	23.0	28	51	-	-	28 x M10	110	1585	24610.0240
250	26	48	23.0	28	51	-	-	28 x M10	110	1585	24610.0241
with hub keyway, with cylindrical handle EH 24530.											
125	12	31	15.0	18	33	4	13.8	23 x M 8	110	390	24610.0310
125	14	31	15.0	18	33	5	16.3	23 x M 8	110	387	24610.0311
140	14	36	16.5	19	36	5	16.3	23 x M 8	110	490	24610.0315
140	16	36	16.5	19	36	5	18.3	23 x M 8	110	490	24610.0316
160	14	36	18.0	20	39	5	16.3	26 x M10	110	645	24610.0320
160	16	36	18.0	20	39	5	18.3	26 x M10	110	645	24610.0321
200	18	42	20.5	24	45	6	20.8	26 x M10	110	1000	24610.0330
200	20	42	20.5	24	45	6	22.8	26 x M10	110	1000	24610.0331
250	22	48	23.0	28	51	6	24.8	28 x M10	110	1585	24610.0340
250	26	48	23.0	28	51	8	29.3	28 x M10	110	1585	24610.0341

Compliance

RoHS compliant

Contains lead - compliant according to exceptions 6a / 6b / 6c.

Contains SVHC substances >0,1% w/w

Contains lead - SVHC list [REACH] as of 23.01.2024.

Contains Proposition 65 substances



Lead can cause cancer and reproductive harm from exposure
<https://www.P65Warnings.ca.gov/>

Free from Conflict Minerals

This product does not contain any substances designated as "conflict minerals" such as tantalum, tin, gold or tungsten from the Democratic Republic of Congo or adjacent countries.