

Tommy Nuts · DIN 6307 with moveable pin EH 24510.



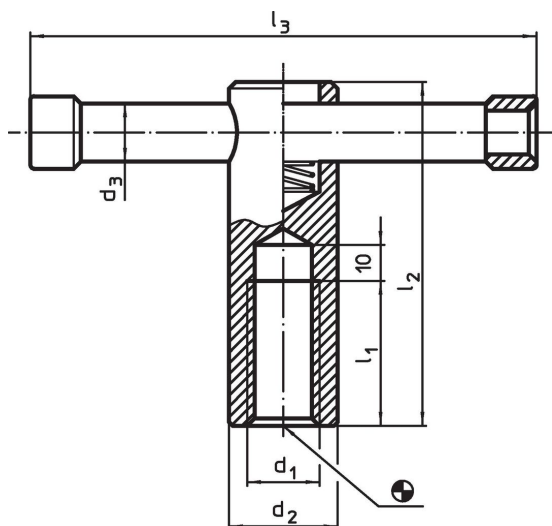
Product Description

With this version, the pin is moveable and held by the spring.

Material

- Free cutting steel, blackened

Drawing

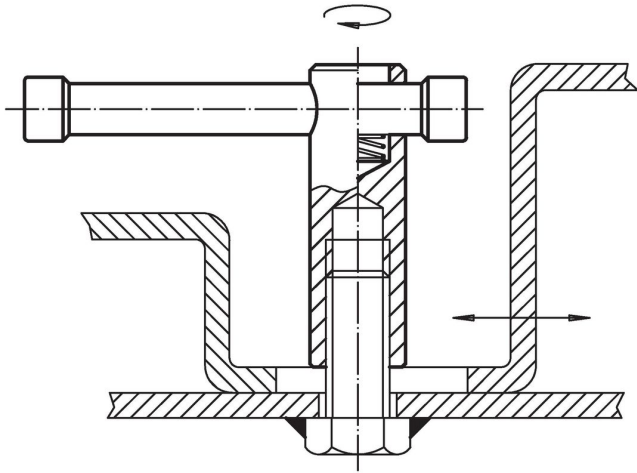


Order information

d ₁	d ₂	Dimensions				[g]	Art. No.
		d ₃	l ₁	l ₂	l ₃		
M 8	16	6	16	50	60	71	24510.0708¹⁾
M10	18	8	20	60	80	112	24510.0710
M12	20	10	25	70	100	180	24510.0712
M16	24	13	35	85	120	328	24510.0716
M20	30	16	40	95	140	582	24510.0720

¹⁾ DIN standards do not include these dimensions.

Application example



Compliance

RoHS compliant

Contains lead - compliant according to exceptions 6a / 6b / 6c.

Contains SVHC substances >0,1% w/w

Contains lead - SVHC list [REACH] as of 23.01.2024.

Contains Proposition 65 substances



Lead can cause cancer and reproductive harm from exposure
<https://www.P65Warnings.ca.gov/>

Free from Conflict Minerals

This product does not contain any substances designated as "conflict minerals" such as tantalum, tin, gold or tungsten from the Democratic Republic of Congo or adjacent countries.