

Crank Handles

EH 24330.



Product Description

Material

Handle body

- Zinc die-cast, plastic coated, black, matt structure
- Aluminium, plastic coated, black, matt structure

Cylindrical handle

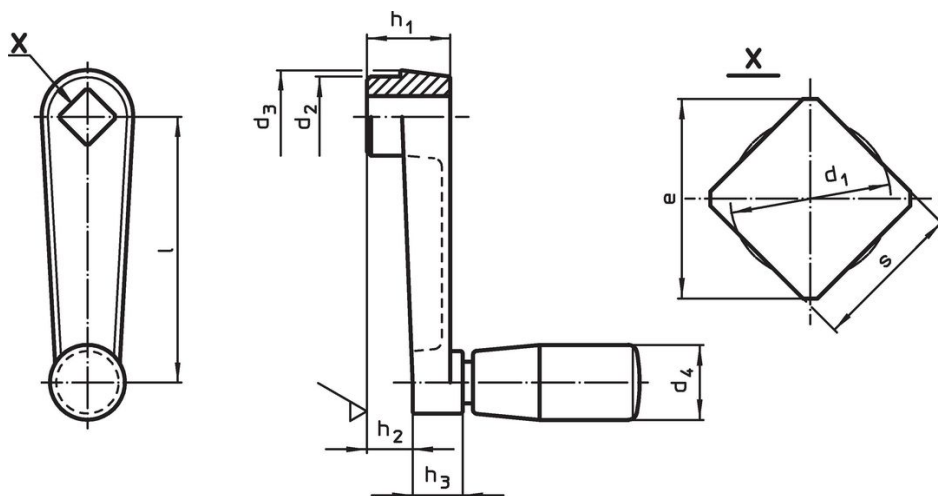
- Thermosetting plastic PF 31, black

More information

References

Alternative to crank handles DIN 469.

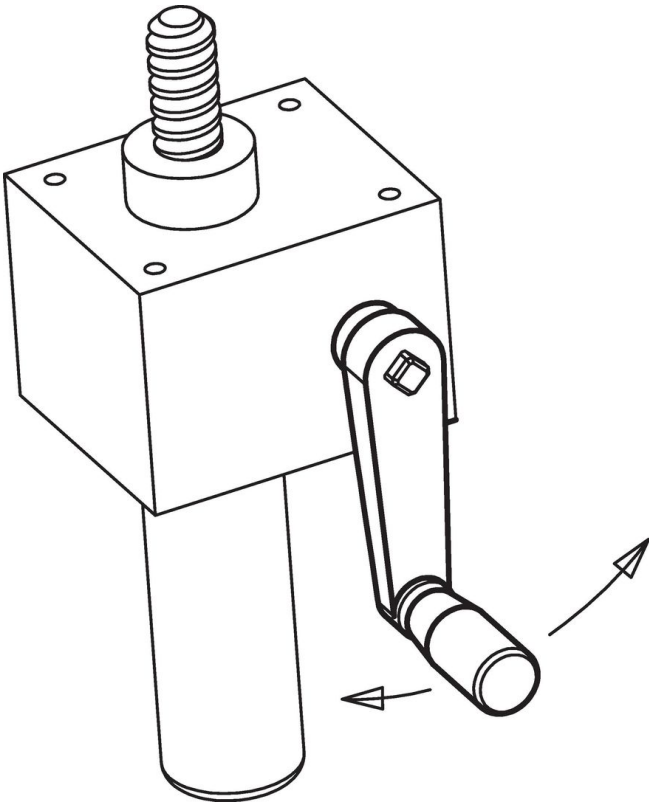
Drawing



Order information

Dimensions									d ₄ Cylindrical handle Ø EH 24530. [mm]	🌡️ max. [°C]	🏋️ [g]	Art. No.
l	s H11	e min.	d ₁ max.	d ₂	d ₃	h ₁	h ₂ ~	h ₃				
Zinc die-cast												
50	8	10.1	8.4	16	18	18	10	10	14	80	58	24330.0420
64	10	13.1	10.5	19	22	20	11	12	18	80	97	24330.0422
80	10	13.1	10.5	23	26	24	14	14	21	80	166	24330.0424
100	12	16.1	12.6	27	30	28	17	15	23	80	270	24330.0436
Aluminium Al												
80	10	13.1	10.5	23	26	24	14	14	21	80	97	24330.0410
100	12	16.1	12.6	27	30	28	17	15	23	80	161	24330.0412
125	14	18.1	14.7	32	35	34	22	18	26	80	251	24330.0414
160	17	22.2	17.9	35	39	38	26	18	26	80	280	24330.0416

Application example



Compliance

RoHS compliant

Contains lead - compliant according to exceptions 6a / 6b / 6c.

Contains SVHC substances >0,1% w/w

Contains lead - SVHC list [REACH] as of 27.06.2024.

Contains Proposition 65 substances



Lead can cause cancer and reproductive harm from exposure
<https://www.P65Warnings.ca.gov/>

Free from Conflict Minerals

This product does not contain any substances designated as "conflict minerals" such as tantalum, tin, gold or tungsten from the Democratic Republic of Congo or adjacent countries.