

Crank Handles · DIN 468 goose-neck form with square end DIN 79 EH 24330.



Product Description

With these crank handles, the seam is ground and blasted. The hub is machined.

Material

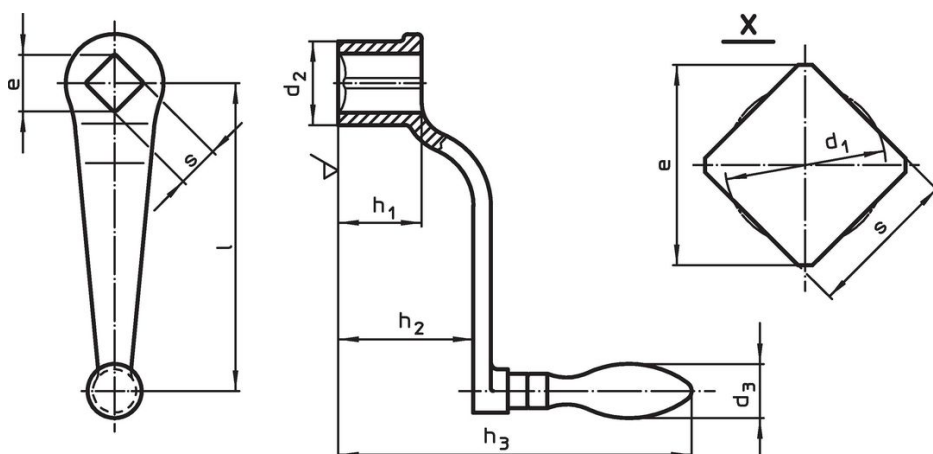
Machine handle

- Steel, turned, zinc-plated by galvanization, passivated

Handle body

- Cast iron (GTW), plastic coated, black
- Nodular cast iron, plastic coated, black


Drawing



Order information

l	s H11	e min.	Dimensions					d ₃ Machine handle Ø [mm]	[g]	Art. No.
			d ₁	d ₂	h ₁	h ₂	h ₃			
[mm]										
with rotating machine handle (EH 24460., DIN 98), form D										
63	10	13.1	10.5	20	20	32	96	16	128	24330.0210 ¹⁾
80	10	13.1	10.5	24	24	38	116	18	201	24330.0220
80	12	16.1	12.6	24	24	38	116	18	200	24330.0221
100	12	16.1	12.6	28	28	48	126	20	310	24330.0230
100	14	18.1	14.7	28	28	48	126	20	291	24330.0231
125	14	18.1	14.7	34	34	55	150	22	464	24330.0240
125	17	22.2	17.9	34	34	55	150	22	455	24330.0241
160	17	22.2	17.9	38	38	65	160	25	674	24330.0250
160	19	25.2	20.0	38	38	65	160	25	664	24330.0251
200	19	25.2	20.0	44	44	78	202	28	1083	24330.0260
200	22	28.2	23.1	44	44	78	202	28	1048	24330.0261
250	22	28.2	23.1	48	48	90	214	32	1466	24330.0270
250	24	32.2	25.3	48	48	90	214	32	1478	24330.0271
315	24	32.2	25.3	54	54	105	248	36	2303	24330.0280
315	27	36.2	28.4	54	54	105	248	36	2200	24330.0281
with fixed machine handle (EH 24450., DIN 39), form F										
63	10	13.1	10.5	20	20	32	92	16	136	24330.0310 ¹⁾
80	10	13.1	10.5	24	24	38	114	18	187	24330.0320
80	12	16.1	12.6	24	24	38	114	18	183	24330.0321
100	12	16.1	12.6	28	28	48	124	20	288	24330.0330

¹⁾ Handle body made from cast iron (GTW)

l	s H11	e min.	Dimensions					d ₃ Machine handle Ø [mm]	 [g]	Art. No.
			d ₁ [mm]	d ₂	h ₁	h ₂ ~	h ₃			
100	14	18.1	14.7	28	28	48	124	20	292	24330.0331
125	14	18.1	14.7	34	34	55	148	22	460	24330.0340
125	17	22.2	17.9	34	34	55	148	22	439	24330.0341
160	17	22.2	17.9	38	38	65	158	25	661	24330.0350
160	19	25.2	20.0	38	38	65	158	25	627	24330.0351
200	19	25.2	20.0	44	44	78	197	28	1020	24330.0360
200	22	28.2	23.1	44	44	78	197	28	1004	24330.0361
250	22	28.2	23.1	48	48	90	209	32	1490	24330.0370
250	24	32.2	25.3	48	48	90	209	32	1415	24330.0371
315	24	32.2	25.3	54	54	105	243	36	2200	24330.0380
315	27	36.2	28.4	54	54	105	243	36	2100	24330.0381

¹⁾ Handle body made from cast iron (GTW)

Compliance

RoHS compliant

Contains lead - compliant according to exceptions 6a / 6b / 6c.

Contains SVHC substances >0,1% w/w

Contains lead - SVHC list [REACH] as of 27.06.2024.

Contains Proposition 65 substances



Lead can cause cancer and reproductive harm from exposure
<https://www.P65Warnings.ca.gov/>

Free from Conflict Minerals

This product does not contain any substances designated as "conflict minerals" such as tantalum, tin, gold or tungsten from the Democratic Republic of Congo or adjacent countries.