

Shaft Clamps

EH 23341.



Product Description

Shaft clamps are used to clamp round workpieces, e.g. shafts, axels, tubes or rods both axially and radially.

Material

Body

- Steel, blackened
- Stainless steel 1.4305

Spring

- Stainless steel

Clamping screw

- Steel, zinc-plated
- Stainless Steel

Assembly

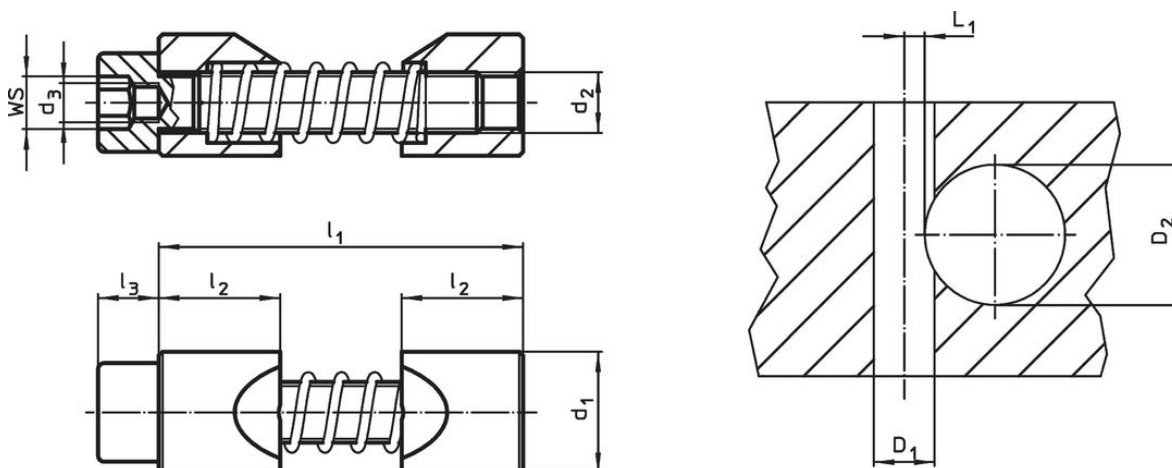
1. Expand the clamping jaws to the diameter of the shaft to be clamped.
2. Insert shaft clamp into hole using the assembly tool.
3. Insert and position the shaft.
4. Clamp using cylinder screw WS (observe tightening torque).

More information

Notes

The thread d_3 serves to hold the assembly tool (optional).



Drawing



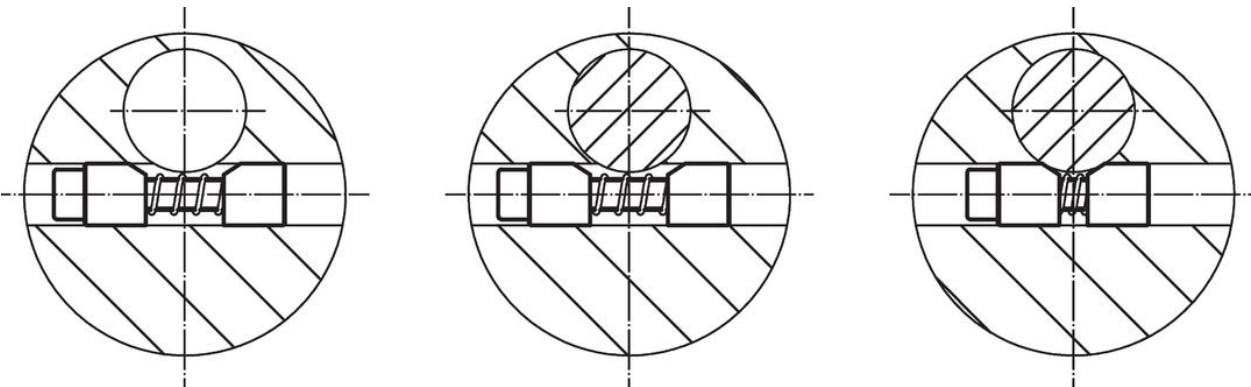
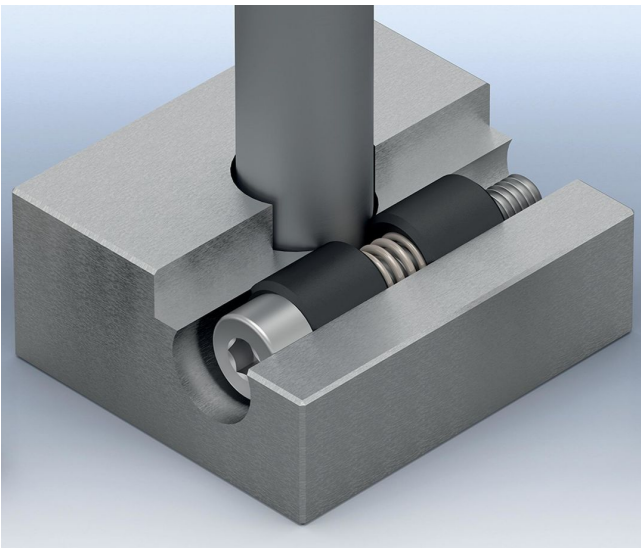
Order information

d_1 h11	d_2	Dimensions				WS	Tightening torque max.	Location hole			Art. No.			
		d_3	l_1 max.	l_2	l_3			Hub bore D_1 H7	Shaft diameter D_2	L_1 +0.2		[g]		
[mm]												[Nm]	[mm]	[g]
Steel														
8	M 4	M2,5	27	8	4	3	2.9	8	6 – 10	2.8	8	23341.0008		
10	M 5	M 3	33	10	5	4	6.0	10	10 – 15	3.3	12	23341.0010		
12	M 6	M 4	39	12	6	5	10.0	12	15 – 20	3.5	21	23341.0012		
16	M 8	M 5	46	16	8	6	25.0	16	20 – 30	4.0	52	23341.0016		
20	M10	M 6	53	20	10	8	46.0	20	30 – 40	4.8	98	23341.0020		
25	M12	M 8	70	25	12	10	82.0	25	40 – 60	5.6	183	23341.0025		
30	M16	M 10	81	30	16	14	206.0	30	60 – 125	7.9	344	23341.0030		
Stainless steel														
8	M 4	M2,5	27	8	4	3	2.9	8	6 – 10	2.8	8	23341.0508		
10	M 5	M 3	33	10	5	4	6.0	10	10 – 15	3.3	12	23341.0510		
12	M 6	M 4	39	12	6	5	10.0	12	15 – 20	3.5	21	23341.0512		
16	M 8	M 5	46	16	8	6	25.0	16	20 – 30	4.0	52	23341.0516		
20	M10	M 6	53	20	10	8	46.0	20	30 – 40	4.8	98	23341.0520		
25	M12	M 8	70	25	12	10	82.0	25	40 – 60	5.6	183	23341.0525		
30	M16	M 10	81	30	16	14	206.0	30	60 – 125	7.9	344	23341.0530		

Accessories

	WS [mm]	d [mm]	 [g]	Art. No.
special hexagon key				
	3	M2,5	5	23341.1008
	4	M 3	9	23341.1010
	5	M 4	17	23341.1012
	6	M 5	28	23341.1016
	8	M 6	57	23341.1020
	10	M 8	95	23341.1025
	14	M 10	250	23341.1030

Application example



Compliance

For detailed compliance information please select the desired article number.