

## Vertical Toggle Clamps · with horizontal base and safety lock

EH 23330.



### Product Description

Due to their favourable power to movement ratio and their easy action the toggle clamps are versatile applicable for a wide range of uses.

These toggle clamps can be used in the metal working industry when drilling, welding, bending, grinding, testing and fitting as well as in the wood and plastic industry in glueing, drilling, cutting and milling jigs.

The "toggle" principle of the toggle clamp allows a large and quick opening of the clamp. If unclamped the workpieces are completely cleared for unimpeded removal. The large power transmission results maximum clamping force by low hand force. The clamps are self-arresting they remain locked, resisting the force produced when machining components.

The toggle clamps are manufactured from high quality components and are designed for continuous use.

A oil resistant ergonomic 2-component handle, with increased grip area with soft surface for high ease of use.

The quickly adjustable clamping screws are provided by a retainer.

### Material

#### Clamp

- Steel, zinc-plated by galvanization, passivated

#### Rivet

- Stainless steel

#### Handle

- plastic

#### Clamping screw

- Steel, tempered, zinc-plated by galvanization

#### Clamping cap

- Rubber, black

#### Plastic cap

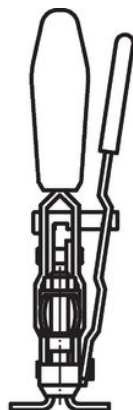
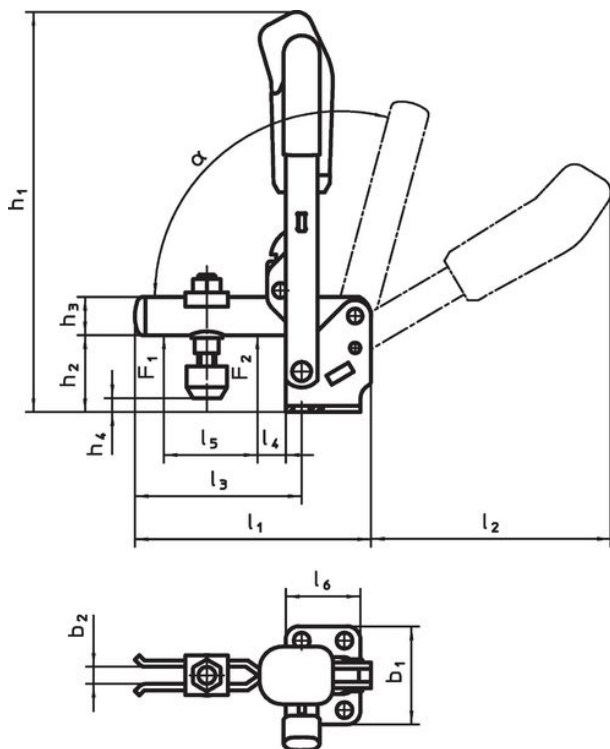
- PVC, black

### More information

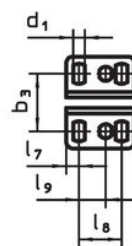
#### References

Replacement clamping screws are available as accessories in the online shop.

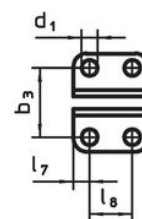
### Drawing



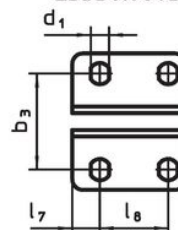
23330.0603



23330.0604




23330.0605



### Order information

Nominal size	Clamping screw [mm]	Dimensions																		Holding force		$\alpha$	Temperature		Weight [g]	Art. No.
		d <sub>1</sub>	b <sub>1</sub>	b <sub>2</sub>	b <sub>3</sub>	h <sub>1</sub>	h <sub>2</sub>	h <sub>3</sub>	h <sub>4</sub> min.	h <sub>4</sub> max.	l <sub>1</sub>	l <sub>2</sub>	l <sub>3</sub>	l <sub>4</sub>	l <sub>5</sub>	l <sub>6</sub>	l <sub>7</sub>	l <sub>8</sub>	l <sub>9</sub>	F <sub>1</sub>	F <sub>2</sub>		min.	max.		
<b>Steel</b>																										
3	M6 x 35	5.5	43	6	23.0 – 31	139.5	23.0	12	-3	4.5	78	89	52	11	25	32	6.0	20	12.5	1.0	1.2	105°	-10	80	238	<a href="#">23330.0603</a>
4	M8 x 45	7.5	46	8	32.5	186.0	33.0	18	2	11.0	112	112	79	19	36	35	7.5	20	-	1.4	2.5	105°	-10	80	484	<a href="#">23330.0604</a>
5	M8 x 65	8.6	64	10	45.0	221.0	42.5	20	-6	22.5	141	130	101	16	54	53	13.0	32	-	2.0	3.0	105°	-10	80	775	<a href="#">23330.0605</a>

### Accessories

	d <sub>2</sub>	Weight [g]	Art. No.
	[mm]		
<b>Clamping screw (spare part of toggle clamp)</b>			
	M6 x 35	16	<a href="#">23330.9003</a>
	M8 x 45	38	<a href="#">23330.9005</a>
	M8 x 65	57	<a href="#">23330.9006</a>

### Compliance

For detailed compliance information please select the desired article number.