

Down-Thrust Clamps · swivelling, size 82.5

EH 23310.



Product Description

The down-thrust clamp is a universal mechanical clamp that allows fast and easy exchange and clamping of workpieces - as the clamping claw can be easily manually swivelled to clear the workpiece.

The down-thrust clamps have the following advantages:

- Compact design
- Clamping force of up to max. 30 kN via a clamping screw WS 36
- Clamping claw swivels 360°
- Clamping stroke 30 mm
- Clamping height max. 250 mm
- Integrated clamping height stop for safe use
- Easy and quick workpiece change by swivelling the clamping claw to the left or right. The positioning ring 23310.0351 allows infinitely variable adjustment and permits precise repeat clamping.

Material

- Case-hardened steel, case-hardened, blackened and ground

Assembly

Fixture via 4 cap screws M 24 with a hole spacing 100 x 100 mm

More information

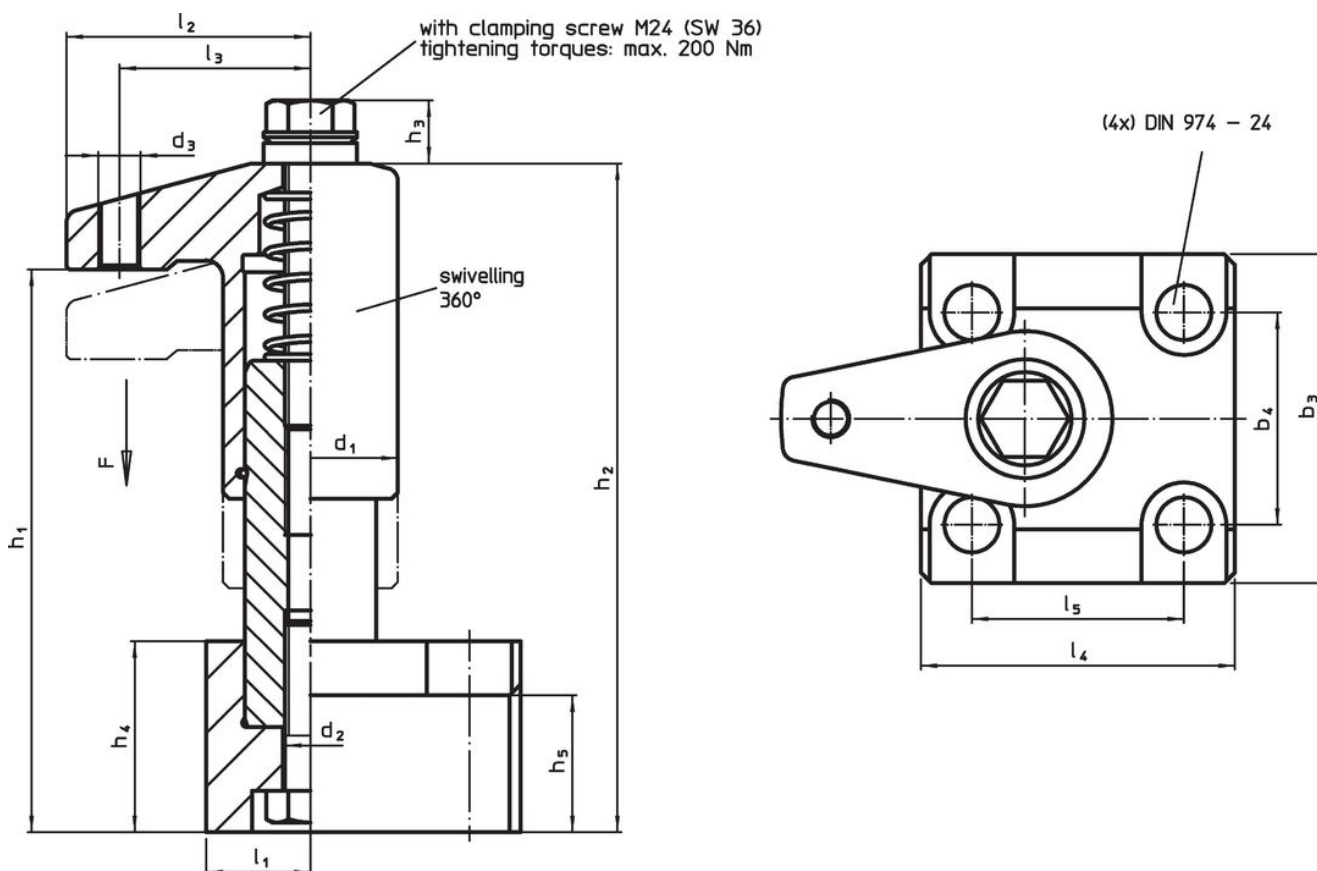
References

The clamping height can be reduced by using clamping inserts, e.g. EH 22730.


Further products

- Positioning Rings, for down-thrust clamp
- Wrenches

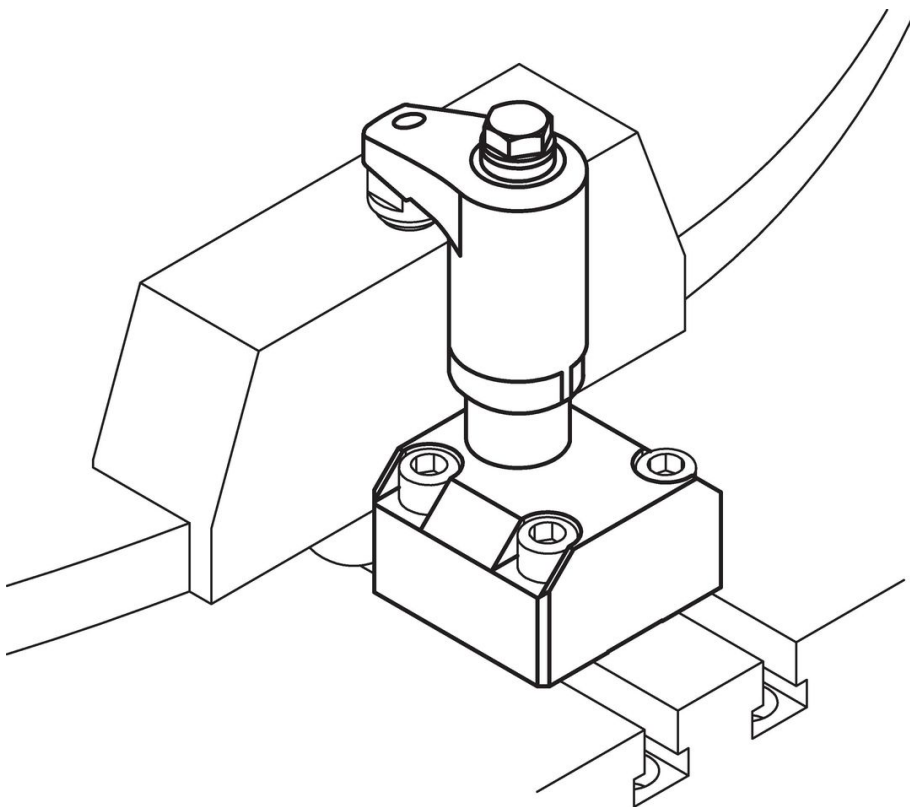
Drawing



Order information

Dimensions															Stroke [mm]	Clamping force [kN]	Tightening torque max. [Nm]	 [kg]	Art. No.	
d ₁	b ₃	b ₄	d ₂	d ₃	d ₄	h ₁	h ₂	h ₃	h ₄	h ₅	l ₁	l ₂	l ₃	l ₄						l ₅
[mm]																				
82.5	155	100	M24	M20	49	220 – 250	300 – 330	30	90	65	49	115	91.5	148	100	30	30	200	21	23310.0070

Application example



Compliance

RoHS compliant

Compliant according to Directive 2011/65/EU and Directive 2015/863.

Does not contain SVHC substances

No SVHC substances with more than 0.1% w/w contained - SVHC list [REACH] as of 27.06.2024.

Does not contain Proposition 65 substances

No Proposition 65 substances included.

<https://www.P65Warnings.ca.gov/>

Free from Conflict Minerals

This product does not contain any substances designated as "conflict minerals" such as tantalum, tin, gold or tungsten from the Democratic Republic of Congo or adjacent countries.