

Clamping Devices Actima

EH 23260.



Product Description

The compact clamping element can be converted between pull and push clamping strain, depending on the model. The travel path is 10 mm. Within the short clamp travel of 2 mm, self-locking occurs in any position. The maximum permitted clamping force is 4.9 kN.

Material

Housing

- Thermoplastic, black

Body

- Steel, blackened

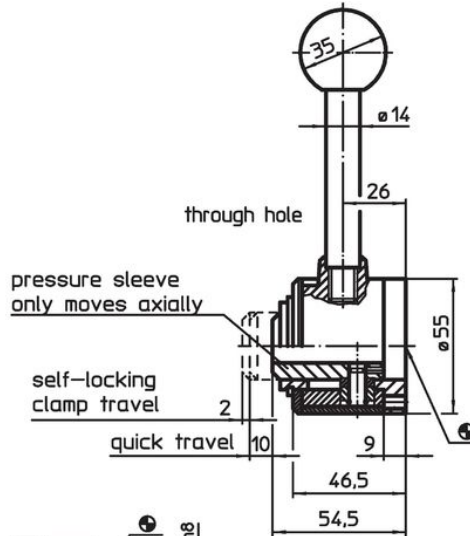
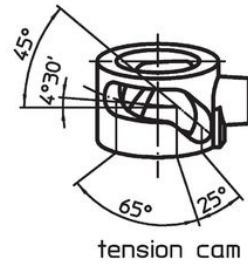
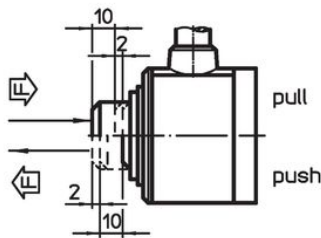
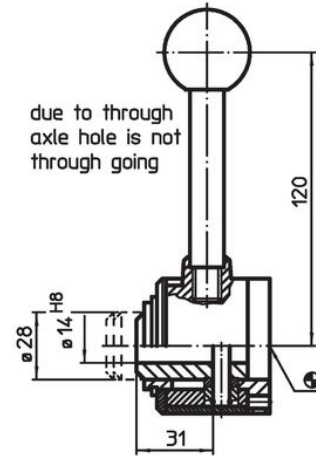
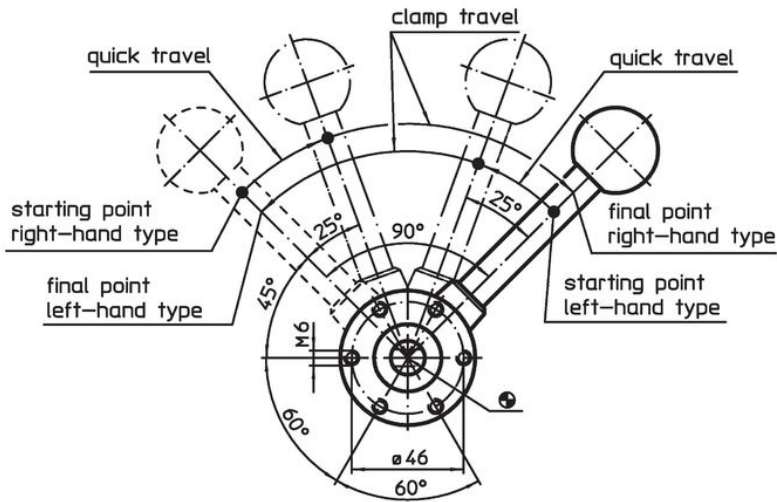
Ball knob

- DIN 7708 - thermosetting plastic (PF 31), red similar to RAL 3003

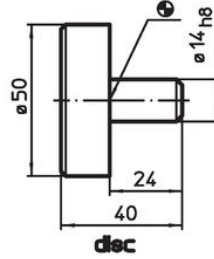
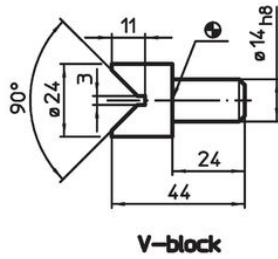
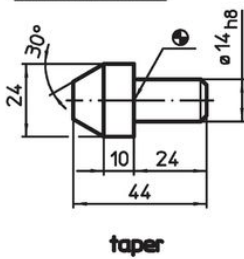
Accessories

- Steel, blackened


Drawing







accessories



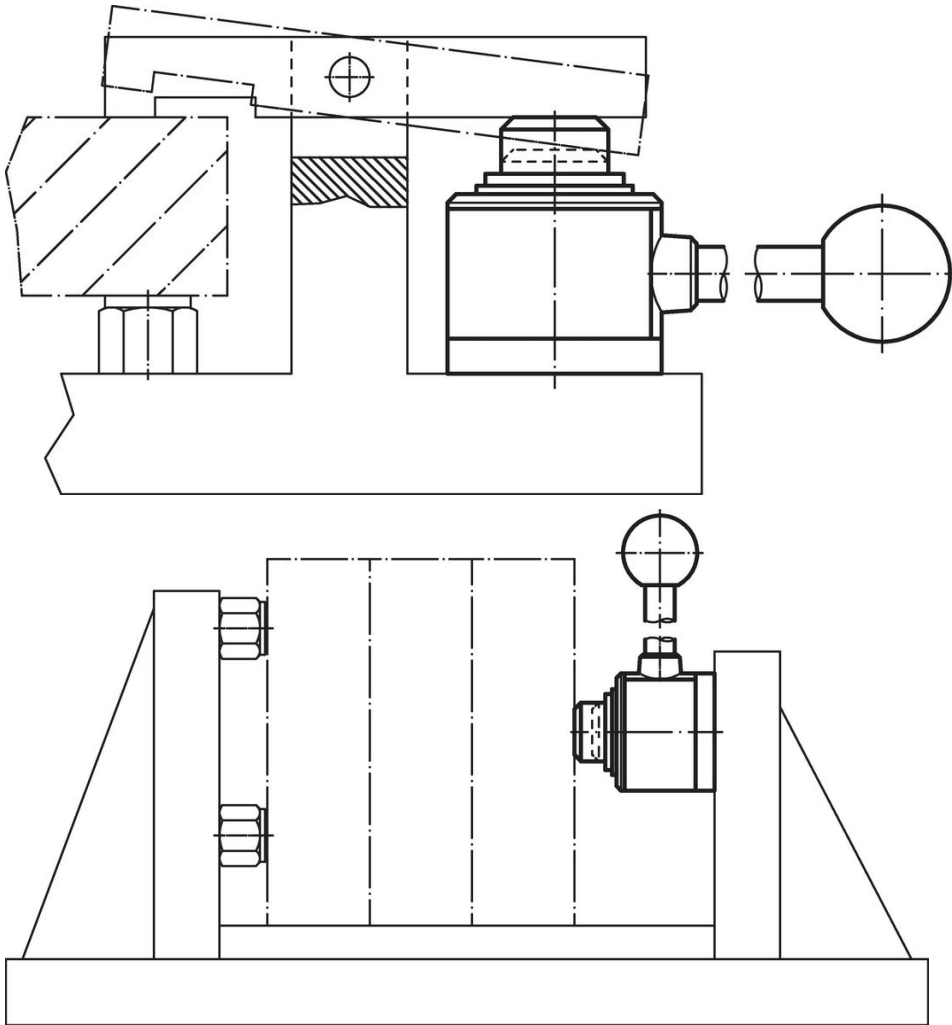
Order information

Travel path [mm]	s Clamping way [mm]	Clamping force max. [kN]	 [g]	Art. No.
pull to right, with transverse axis in the bore				
10	2	4.9	751	23260.0003
pull to left, with transverse axis in the bore				
10	2	4.9	749	23260.0005
pull to right, with throughgoing bore				
10	2	4.9	751	23260.0013
pull to left, with throughgoing bore				
10	2	4.9	749	23260.0015
push to right, with transverse axis in the bore				
10	2	4.9	751	23260.0002
push to left, with transverse axis in the bore				
10	2	4.9	749	23260.0004
push to right, with throughgoing bore				
10	2	4.9	751	23260.0012
push to left, with throughgoing bore				
10	2	4.9	749	23260.0014

Accessories

	 [g]	Art. No.
Disc		
	270	23260.0042
taper		
	85	23260.0044
V-block		
	82	23260.0046

Application example



Compliance

For detailed compliance information please select the desired article number.