

Clamps · with soft face, similar to DIN 6314

EH 23190.



Product Description

This clamp (clamping claw) according to DIN 6314 with soft face is mainly used in mechanical clamping technology for clamping workpieces. The soft face protects the workpiece from damage. With the combination of nut DIN 6330 B (EH 23070./)conical seat DIN 6319 G (EH 23050.) on the clamping bolt and thrust pad DIN 6311 (EH 22560. removable) on the adjusting screw compensates for the lack of parallelity. The clamp can be used either way (soft or hard clamping surface).

Material

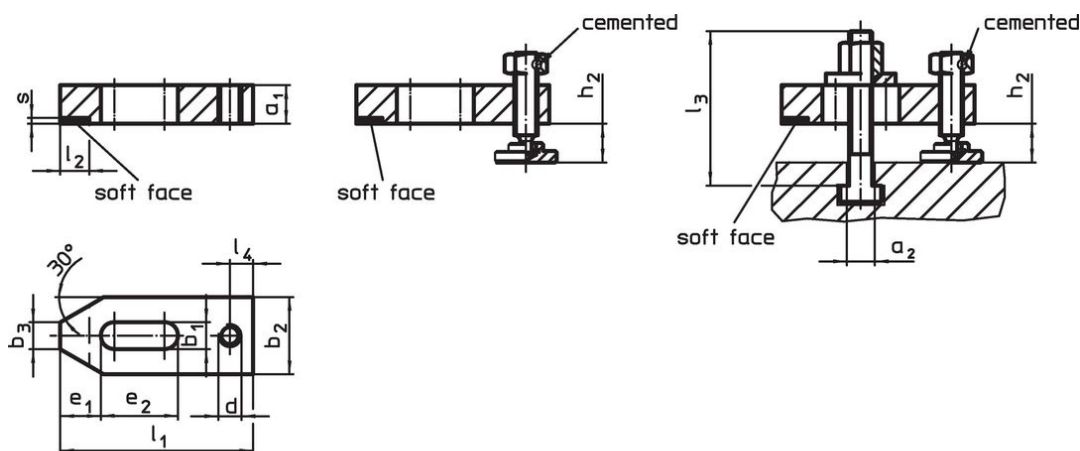
Soft face

- Brass, brazed

Clamp

- Heat-treated steel, blackened

Drawing




picture 1

picture 2

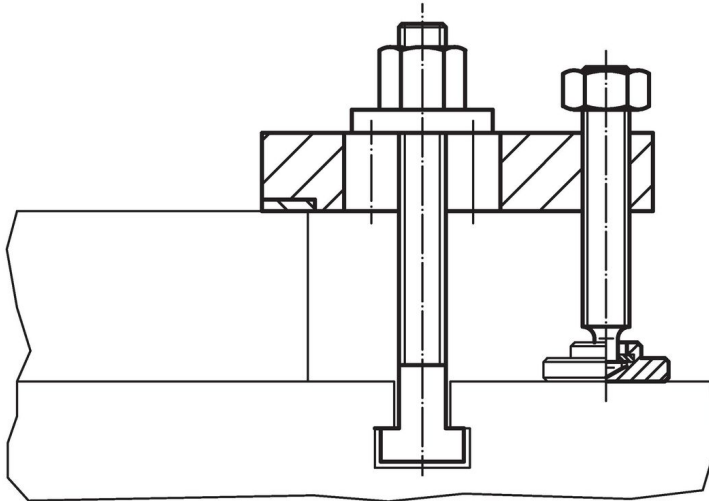
picture 3

Order information

| Nominal dimension b_1 [mm] | Dimensions | | | | | | | | | | | | T-slot size [mm] | Clamping height | | Art. No. | |
|---|------------|-------|-------|-------|-------|-----|-------|-------|-------|------------------|-------|-------|---------------------|-----------------|---------------|----------|------------|
| | a_1 | l_3 | a_2 | b_2 | b_3 | d | e_1 | e_2 | l_1 | l_2 ± 1 | l_4 | s | | h_2 min. | h_2 max. | | [g] |
| without accessories – picture 1 | | | | | | | | | | | | | | | | | |
| 9 | 12 | – | – | 25 | 10 | M 8 | 13 | 22 | 60 | 10 | 8 | 2 | – | – | – | 111 | 23190.0010 |
| 11 | 15 | – | – | 30 | 12 | M10 | 15 | 30 | 80 | 12 | 10 | 2 | – | – | – | 221 | 23190.0020 |
| 14 | 20 | – | – | 40 | 14 | M12 | 21 | 40 | 100 | 15 | 12 | 3-0.5 | – | – | – | 478 | 23190.0030 |
| 18 | 25 | – | – | 50 | 18 | M16 | 26 | 45 | 125 | 20 | 16 | 3-0.5 | – | – | – | 949 | 23190.0040 |
| only with adjusting screw – picture 2 | | | | | | | | | | | | | | | | | |
| 9 | 12 | – | – | 25 | 10 | M 8 | 13 | 22 | 60 | 10 | 8 | 2 | – | 8 | 23 | 150 | 23190.0011 |
| 9 | 12 | – | – | 25 | 10 | M 8 | 13 | 22 | 60 | 10 | 8 | 2 | – | 8 | 43 | 160 | 23190.0012 |
| 11 | 15 | – | – | 30 | 12 | M10 | 15 | 30 | 80 | 12 | 10 | 2 | – | 10 | 38 | 295 | 23190.0021 |
| 11 | 15 | – | – | 30 | 12 | M10 | 15 | 30 | 80 | 12 | 10 | 2 | – | 10 | 58 | 310 | 23190.0022 |
| 14 | 20 | – | – | 40 | 14 | M12 | 21 | 40 | 100 | 15 | 12 | 3-0.5 | – | 10 | 31 | 590 | 23190.0031 |
| 14 | 20 | – | – | 40 | 14 | M12 | 21 | 40 | 100 | 15 | 12 | 3-0.5 | – | 10 | 71 | 620 | 23190.0032 |
| 18 | 25 | – | – | 50 | 18 | M16 | 26 | 45 | 125 | 20 | 16 | 3-0.5 | – | 12 | 42 | 1150 | 23190.0041 |
| 18 | 25 | – | – | 50 | 18 | M16 | 26 | 45 | 125 | 20 | 16 | 3-0.5 | – | 12 | 87 | 1220 | 23190.0042 |
| with adjusting screw and clamping bolt – picture 3 | | | | | | | | | | | | | | | | | |
| 9 | 12 | 50 | 7.6 | 25 | 10 | M 8 | 13 | 22 | 60 | 10 | 8 | 2 | 8 | 8 | 16 | 200 | 23190.0015 |
| 9 | 12 | 80 | 7.6 | 25 | 10 | M 8 | 13 | 22 | 60 | 10 | 8 | 2 | 8 | 8 | 43 | 220 | 23190.0016 |
| 11 | 15 | 65 | 9.6 | 30 | 12 | M10 | 15 | 30 | 80 | 12 | 10 | 2 | 10 | 10 | 22 | 385 | 23190.0025 |
| 11 | 15 | 100 | 9.6 | 30 | 12 | M10 | 15 | 30 | 80 | 12 | 10 | 2 | 10 | 10 | 58 | 420 | 23190.0026 |
| 14 | 20 | 80 | 11.6 | 40 | 14 | M12 | 21 | 40 | 100 | 15 | 12 | 3-0.5 | 12 | 10 | 28 | 740 | 23190.0035 |

| Nominal dimension b_1 [mm] | Dimensions | | | | | | | | | | | | T-slot size [mm] | Clamping height | |  [g] | Art. No. |
|------------------------------------|------------|-------|-------|-------|-------|-----|-------|-------|-------|------------------|-------|-------|---------------------|-----------------|---------------|--|----------------------------|
| | a_1 | l_3 | a_2 | b_2 | b_3 | d | e_1 | e_2 | l_1 | l_2 ± 1 | l_4 | s | | h_2 min. | h_2 max. | | |
| | [mm] | | | | | | | | | | | | | [mm] | [mm] | | |
| 14 | 20 | 125 | 11.6 | 40 | 14 | M12 | 21 | 40 | 100 | 15 | 12 | 3-0.5 | 12 | 10 | 71 | 805 | 23190.0036 |
| 14 | 20 | 80 | 13.6 | 40 | 14 | M12 | 21 | 40 | 100 | 15 | 12 | 3-0.5 | 14 | 10 | 26 | 755 | 23190.0037 |
| 14 | 20 | 125 | 13.6 | 40 | 14 | M12 | 21 | 40 | 100 | 15 | 12 | 3-0.5 | 14 | 10 | 71 | 820 | 23190.0038 |
| 18 | 25 | 100 | 15.6 | 50 | 18 | M16 | 26 | 45 | 125 | 20 | 16 | 3-0.5 | 16 | 12 | 31 | 1470 | 23190.0045 |
| 18 | 25 | 160 | 15.6 | 50 | 18 | M16 | 26 | 45 | 125 | 20 | 16 | 3-0.5 | 16 | 12 | 87 | 1630 | 23190.0046 |
| 18 | 25 | 100 | 17.6 | 50 | 18 | M16 | 26 | 45 | 125 | 20 | 16 | 3-0.5 | 18 | 12 | 32 | 1490 | 23190.0047 |
| 18 | 25 | 160 | 17.6 | 50 | 18 | M16 | 26 | 45 | 125 | 20 | 16 | 3-0.5 | 18 | 12 | 87 | 1650 | 23190.0048 |

Application example



Compliance

For detailed compliance information please select the desired article number.