

Locating Pins · with ball end

EH 22630.



Product Description

Ball ended locating pins facilitate easy inserting and removing avoiding clamping inclination.

Material

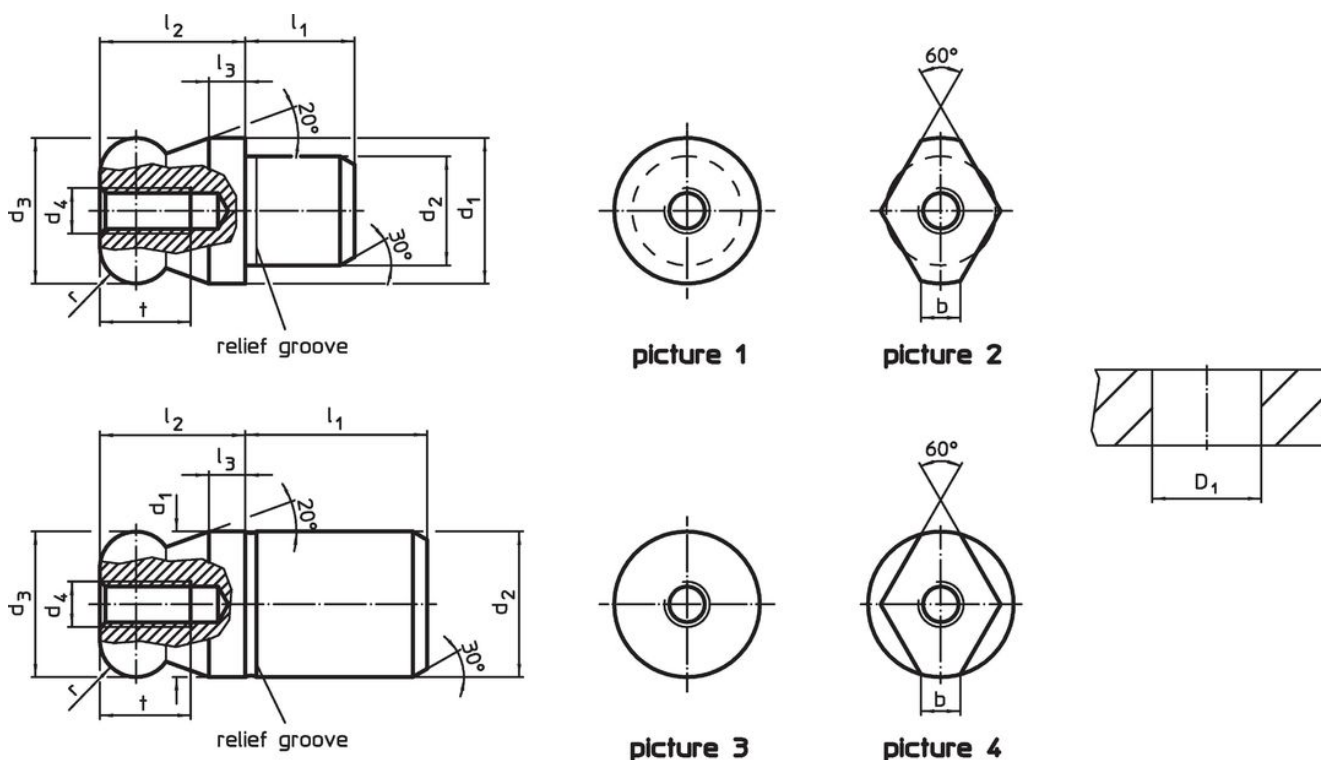
- Tool steel, hardened, blackened and ground
- Stainless steel 1.4305, ground, surface heat-treated

More information

Further products


- Locating Pins, DIN 6321
- Locating Pins, with bore hole similar to DIN 6321


Drawing



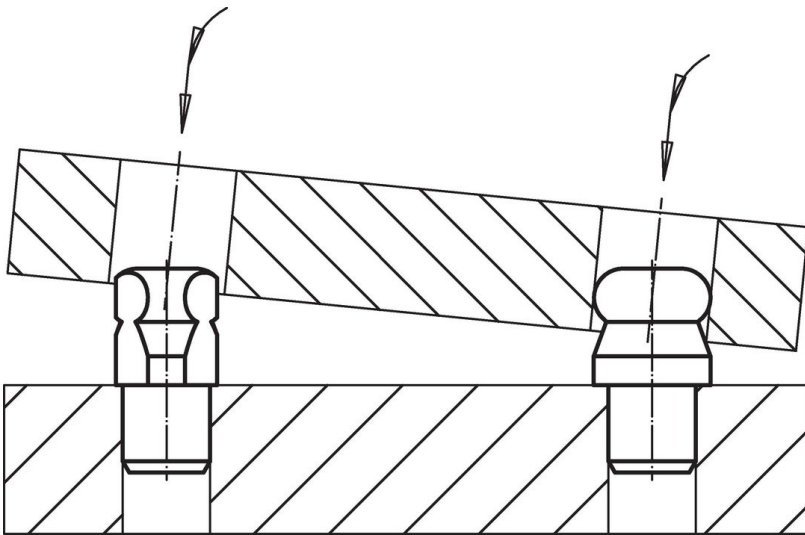
Order information

Dimensions										Location hole	[g]	Art. No.	
d ₁	d ₂	d ₃	d ₄	l ₁	l ₂	l ₃	t	r	b	D ₁ H7			
g6	n6	-0.01 -0.05									[mm]	[g]	
[mm]													
ball end round ball – picture 1, Tool steel													
6	4	6	M2,5	4	6	2.0	4.5	1.0	–	4	1.8	22630.0306	
8	6	8	M 3	6	8	2.0	6.0	2.0	–	6	3.9	22630.0308	
10	7	10	M 3	7	10	2.5	6.0	2.5	–	7	6.7	22630.0310	
12	8	12	M 4	8	12	3.0	8.0	3.0	–	8	11.0	22630.0312	
14	10	14	M 4	10	14	3.5	8.0	3.5	–	10	20.0	22630.0314	
16	12	16	M 5	12	16	4.0	10.0	4.0	–	12	31.0	22630.0316	
20	14	20	M 5	14	20	5.0	10.0	5.0	–	14	58.0	22630.0320	
22	16	22	M 5	16	22	5.5	10.0	5.5	–	16	81.0	22630.0322	
25	18	25	M 5	18	25	6.0	10.0	6.0	–	18	118.0	22630.0325	

d ₁ g6	d ₂ n6	d ₃ -0.01 -0.05	d ₄	Dimensions						t	r	b	Location hole D ₁ H7		Art. No.
				l ₁	l ₂	l ₃	[mm]								
ball end round ball – picture 1, Stainless steel															
6	4	6	M2,5	4	6	2.0	4.5	1.0	–	4	1.8	22630.0346			
8	6	8	M 3	6	8	2.0	6.0	2.0	–	6	4.0	22630.0348			
10	7	10	M 3	7	10	2.5	6.0	2.5	–	7	6.7	22630.0350			
12	8	12	M 4	8	12	3.0	8.0	3.0	–	8	11.0	22630.0352			
14	10	14	M 4	10	14	3.5	8.0	3.5	–	10	20.0	22630.0354			
16	12	16	M 5	12	16	4.0	10.0	4.0	–	12	31.0	22630.0356			
20	14	20	M 5	14	20	5.0	10.0	5.0	–	14	58.0	22630.0360			
with ball end flattened – picture 2, Tool steel															
6	4	6	M2,5	4	6	2.0	4.5	1.0	1.70	4	1.5	22630.0406			
8	6	8	M 3	6	8	2.0	6.0	2.0	2.00	6	3.2	22630.0408			
10	7	10	M 3	7	10	2.5	6.0	2.5	2.50	7	5.3	22630.0410			
12	8	12	M 4	8	12	3.0	8.0	3.0	2.50	8	8.0	22630.0412			
14	10	14	M 4	10	14	3.5	8.0	3.5	3.76	10	16.0	22630.0414			
16	12	16	M 5	12	16	4.0	10.0	4.0	4.30	12	25.0	22630.0416			
20	14	20	M 5	14	20	5.0	10.0	5.0	5.00	14	46.0	22630.0420			
22	16	22	M 5	16	22	5.5	10.0	5.5	5.00	16	63.0	22630.0422			
25	18	25	M 5	18	25	6.0	10.0	6.0	5.60	18	92.0	22630.0425			
with ball end flattened – picture 2, Stainless steel															
6	4	6	M2,5	4	6	2.0	4.5	1.0	1.70	4	1.5	22630.0446			
8	6	8	M 3	6	8	2.0	6.0	2.0	2.00	6	3.2	22630.0448			
10	7	10	M 3	7	10	2.5	6.0	2.5	2.50	7	5.3	22630.0450			
12	8	12	M 4	8	12	3.0	8.0	3.0	2.50	8	8.0	22630.0452			
14	10	14	M 4	10	14	3.5	8.0	3.5	3.76	10	16.0	22630.0454			
16	12	16	M 5	12	16	4.0	10.0	4.0	4.30	12	25.0	22630.0456			
20	14	20	M 5	14	20	5.0	10.0	5.0	5.00	14	46.0	22630.0460			
ball end round ball, not stepped – picture 3, Tool steel															
5	5	5	M2,5	6	5	2.0	4.5	1.0	–	5	2.4	22630.0505			
6	6	6	M 3	8	6	2.0	5.0	1.0	–	6	2.9	22630.0506			
8	8	8	M 3	10	8	2.0	6.0	2.0	–	8	6.0	22630.0508			
10	10	10	M 3	13	10	2.5	6.0	2.5	–	10	12.0	22630.0510			
12	12	12	M 4	15	12	3.0	8.0	3.0	–	12	21.0	22630.0512			
14	14	14	M 4	17	14	3.5	8.0	3.5	–	14	34.0	22630.0514			
16	16	16	M 5	20	16	4.0	10.0	4.0	–	16	51.0	22630.0516			
20	20	20	M 5	25	20	5.0	10.0	5.0	–	20	101.0	22630.0520			
25	25	25	M 5	25	25	6.0	10.0	6.0	–	25	176.0	22630.0525			
30	30	30	M 6	30	30	8.0	12.0	8.0	–	30	307.0	22630.0530			
40	40	40	M 6	40	40	10.0	12.0	10.0	–	40	729.0	22630.0540			
50	50	50	M 6	50	50	12.0	12.0	12.0	–	50	1422.0	22630.0550			
ball end round ball, not stepped – picture 3, Stainless steel															
5	5	5	M2,5	6	5	2.0	4.5	1.0	–	5	1.8	22630.0565			
6	6	6	M 3	8	6	2.0	5.0	1.0	–	6	3.4	22630.0566			
8	8	8	M 3	10	8	2.0	6.0	2.0	–	8	6.0	22630.0568			
10	10	10	M 3	13	10	2.5	6.0	2.5	–	10	12.0	22630.0570			
12	12	12	M 4	15	12	3.0	8.0	3.0	–	12	21.0	22630.0572			
14	14	14	M 4	17	14	3.5	8.0	3.5	–	14	34.0	22630.0574			
16	16	16	M 5	20	16	4.0	10.0	4.0	–	16	51.0	22630.0576			
20	20	20	M 5	25	20	5.0	10.0	5.0	–	20	101.0	22630.0580			
with ball end flattened, not stepped – picture 4, Tool steel															
5	5	5	M2,5	6	5	2.0	4.5	1.0	1.50	5	1.2	22630.0605			
6	6	6	M 3	8	6	2.0	5.0	1.0	1.80	6	3.1	22630.0606			
8	8	8	M 3	10	8	2.0	6.0	2.0	1.90	8	5.0	22630.0608			
10	10	10	M 3	13	10	2.5	6.0	2.5	2.50	10	11.0	22630.0610			
12	12	12	M 4	15	12	3.0	8.0	3.0	2.50	12	17.0	22630.0612			
14	14	14	M 4	17	14	3.5	8.0	3.5	3.90	14	30.0	22630.0614			
16	16	16	M 5	20	16	4.0	10.0	4.0	4.30	16	44.0	22630.0616			
20	20	20	M 5	25	20	5.0	10.0	5.0	5.00	20	88.0	22630.0620			

d ₁ g6	d ₂ n6	d ₃ -0.01 -0.05	d ₄	Dimensions						Location hole D ₁ H7		Art. No.
				l ₁	l ₂	l ₃	t	r	b			
[mm]										[mm]	[g]	
25	25	25	M 5	25	25	6.0	10.0	6.0	5.60	25	149.0	22630.0625
30	30	30	M 6	30	30	8.0	12.0	8.0	8.80	30	270.0	22630.0630
40	40	40	M 6	40	40	10.0	12.0	10.0	12.80	40	657.0	22630.0640
50	50	50	M 6	50	50	12.0	12.0	12.0	16.70	50	1243.0	22630.0650
with ball end flattened, not stepped – picture 4, Stainless steel												
5	5	5	M2,5	6	5	2.0	4.5	1.0	1.50	5	1.1	22630.0665
6	6	6	M 3	8	6	2.0	5.0	1.0	1.80	6	2.3	22630.0666
8	8	8	M 3	10	8	2.0	6.0	2.0	1.90	8	5.0	22630.0668
10	10	10	M 3	13	10	2.5	6.0	2.5	2.50	10	11.0	22630.0670
12	12	12	M 4	15	12	3.0	8.0	3.0	2.50	12	17.0	22630.0672
14	14	14	M 4	17	14	3.5	8.0	3.5	3.90	14	30.0	22630.0674
16	16	16	M 5	20	16	4.0	10.0	4.0	4.30	16	44.0	22630.0676
20	20	20	M 5	25	20	5.0	10.0	5.0	5.00	20	88.0	22630.0680

Application example



Compliance

RoHS compliant

Compliant according to Directive 2011/65/EU and Directive 2015/863.

Does not contain SVHC substances

No SVHC substances with more than 0.1% w/w contained - SVHC list [REACH] as of 23.01.2024.

Does not contain Proposition 65 substances

No Proposition 65 substances included.

<https://www.P65Warnings.ca.gov/>

Free from Conflict Minerals

This product does not contain any substances designated as "conflict minerals" such as tantalum, tin, gold or tungsten from the Democratic Republic of Congo or adjacent countries.