

Thrust Pads · plastic

EH 22570.



Product Description

The plastic thrust pads (EH 22570.) can be combined with ball-headed grub screws (EH 22570.).

Material

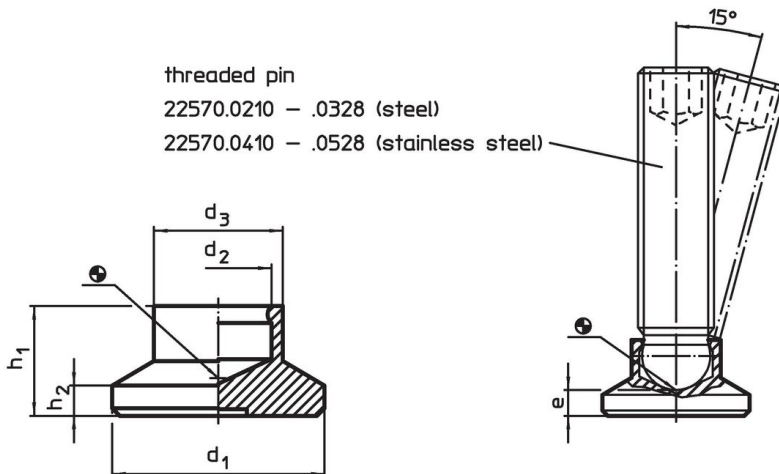
- Thermoplastic POM, black, dull

More information

Further products

- Grub Screws, ball-headed
- Seating Elements, with plastic bearing surface, orienting

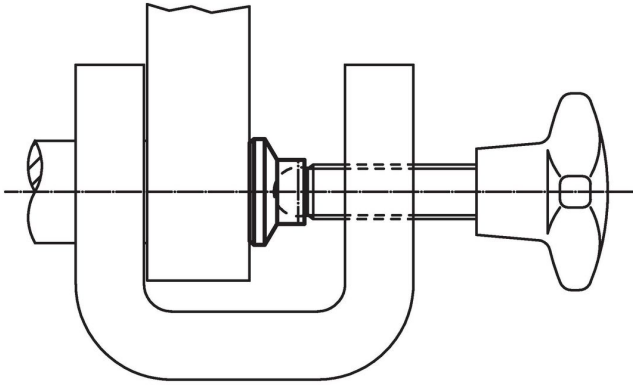
Drawing



Order information

d ₁	d ₂	Dimensions				h ₁	h ₂	Load capacity for static load max.	For grub screws EH 22570.	Temperature		Weight	Art. No.
		d ₃	e	min.	max.								
[mm]				[kN]	[mm]	[°C]	[g]						
15	4.5	8.6	3.6	7.6	2.5	3.5	M 6	-30	80	1.1	22570.0014		
15	6.1	8.6	2.5	7.6	2.5	3.5	M 8	-30	80	1.0	22570.0015		
18	6.1	10.8	4.2	9.2	2.5	3.5	M 8	-30	80	1.7	22570.0017		
18	7.8	10.8	3.4	9.2	2.5	3.5	M10	-30	80	2.0	22570.0018		
21	6.1	12.8	5.0	10.0	3.0	3.5	M 8	-30	80	3.0	22570.0019		
21	7.8	12.8	4.3	10.0	3.0	3.5	M10	-30	80	2.6	22570.0020		
21	9.4	12.8	3.4	10.0	3.0	3.5	M12	-30	80	2.4	22570.0021		
25	6.1	13.0	5.5	10.5	3.0	3.5	M 8	-30	80	4.0	22570.0023		
25	7.8	13.0	4.6	10.5	3.0	3.5	M10	-30	80	3.6	22570.0024		
25	9.4	13.0	3.6	10.5	3.0	3.5	M12	-30	80	3.4	22570.0025		
32	6.1	14.0	6.0	11.0	3.0	3.5	M 8	-30	80	6.4	22570.0032		
32	7.8	14.0	5.0	11.0	3.0	3.5	M10	-30	80	5.0	22570.0033		
32	9.4	14.0	4.2	11.0	3.0	3.5	M12	-30	80	5.0	22570.0034		
40	6.1	16.0	8.0	13.0	4.0	3.5	M 8	-30	80	11.0	22570.0040		
40	7.8	16.0	7.0	13.0	4.0	3.5	M10	-30	80	10.0	22570.0041		
40	9.4	16.0	6.2	13.0	4.0	3.5	M12	-30	80	10.0	22570.0042		

Application example



Compliance

RoHS compliant

Compliant according to Directive 2011/65/EU and Directive 2015/863.

Does not contain SVHC substances

No SVHC substances with more than 0.1% w/w contained - SVHC list [REACH] as of 27.06.2024.

Does not contain Proposition 65 substances

No Proposition 65 substances included.

<https://www.P65Warnings.ca.gov/>

Free from Conflict Minerals

This product does not contain any substances designated as "conflict minerals" such as tantalum, tin, gold or tungsten from the Democratic Republic of Congo or adjacent countries.