

## Index Plungers • with hexagon collar

EH 22120.



### Product Description

Index plungers are used for indexing bores.

### Material

#### Body

- Free cutting steel, blackened
- Stainless steel 1.4305

#### Locking pin

- Steel, hardened
- Stainless steel 1.4305, nickel-plated

#### Knob

- Thermoplastic PA 6, black, dull

### Assembly

The screw length can be adapted by distance collars for index plungers (EH 22120.).

### More information

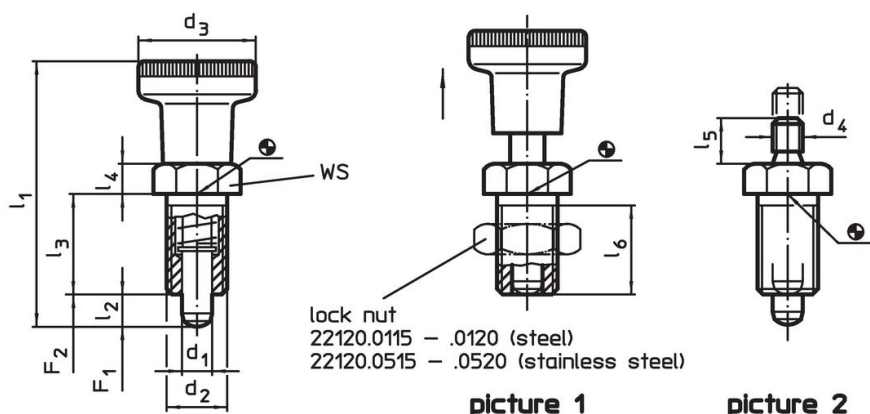
### Notes

Knob not removable.  
Lock nuts have to be purchased separately.

### Further products

- Mounting Blocks, for index bolts and index plungers, die-cast
- Locating Bushings, for index bolts and index plungers
- Distance Collars, for index plungers

### Drawing



### Order information



Dimensions										WS	Spring load <sup>1)</sup>		Temperature		Weight	Art. No.
d <sub>1</sub>	d <sub>2</sub>	d <sub>3</sub>	d <sub>4</sub>	l <sub>1</sub>	l <sub>2</sub>	l <sub>3</sub>	l <sub>4</sub>	l <sub>5</sub>	l <sub>6</sub>	WS	F <sub>1</sub>	F <sub>2</sub>	min.	max.	g	
-0.02 -0.05				~	min.				min.	[mm]	~	~			[g]	
[mm]																
[N]																
[°C]																
[g]																
<b>with knob – picture 1, Free cutting steel</b>																
5	M10 x 1	21	–	45.0	5	17	5	–	15	12	6.0	14	-30	80	19	22120.0005
6	M12 x 1,5	25	–	54.5	6	20	6	–	17	14	6.5	19	-30	80	29	22120.0006
8	M16 x 1,5	31	–	69.0	8	26	8	–	23	19	11.5	28	-30	80	71	22120.0008
10	M20 x 1,5	31	–	80.0	10	33	10	–	30	22	23.0	54	-30	80	119	22120.0010
<b>without knob – picture 2, Free cutting steel</b>																
5	M10 x 1	–	M5	–	5	17	5	6	15	12	6.0	14	–	250	14	22120.0025
6	M12 x 1,5	–	M6	–	6	20	6	10	17	14	6.5	19	–	250	23	22120.0026
8	M16 x 1,5	–	M8	–	8	26	8	12	23	19	11.5	28	–	250	54	22120.0028
10	M20 x 1,5	–	M8	–	10	33	10	12	30	22	23.0	54	–	250	97	22120.0030
<b>with knob – picture 1, Stainless steel</b>																
5	M10 x 1	21	–	45.0	5	17	5	–	15	12	6.0	14	-30	80	19	22120.0405
6	M12 x 1,5	25	–	54.5	6	20	6	–	17	14	6.5	19	-30	80	29	22120.0406
8	M16 x 1,5	31	–	69.0	8	26	8	–	23	19	11.5	28	-30	80	71	22120.0408
10	M20 x 1,5	31	–	80.0	10	33	10	–	30	22	23.0	54	-30	80	119	22120.0410

<sup>1)</sup> statistical average value

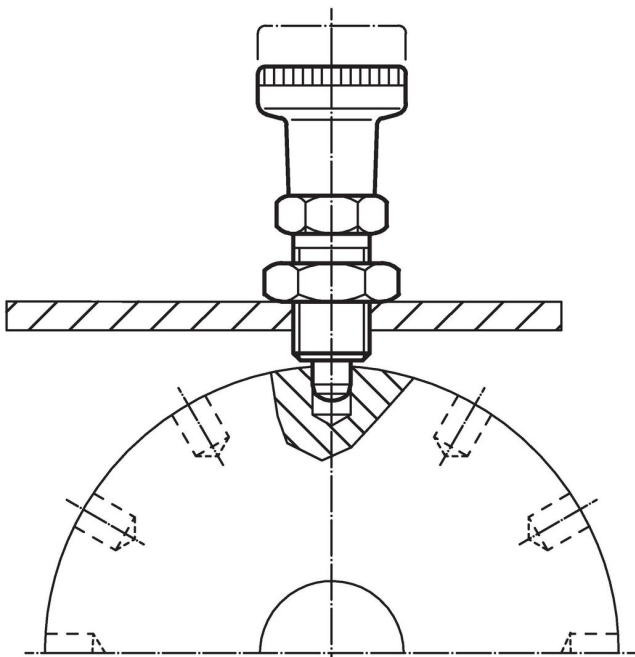
d <sub>1</sub> -0.02 -0.05	d <sub>2</sub>	d <sub>3</sub>	d <sub>4</sub>	Dimensions						WS [mm]	Spring load <sup>1)</sup>		min. max.		[g]	Art. No.
				l <sub>1</sub> ~	l <sub>2</sub> min.	l <sub>3</sub>	l <sub>4</sub>	l <sub>5</sub>	l <sub>6</sub> min.		F <sub>1</sub> ~	F <sub>2</sub> ~	[°C]			
[mm]																
<b>without knob – picture 2, Stainless steel</b>																
5	M10 x 1	-	M5	-	5	17	5	6	15	12	6.0	14	-	250	14	<a href="#">22120.0425</a>
6	M12 x 1,5	-	M6	-	6	20	6	10	17	14	6.5	19	-	250	23	<a href="#">22120.0426</a>
8	M16 x 1,5	-	M8	-	8	26	8	12	23	19	11.5	28	-	250	54	<a href="#">22120.0428</a>
10	M20 x 1,5	-	M8	-	10	33	10	12	30	22	23.0	54	-	250	97	<a href="#">22120.0430</a>

<sup>1)</sup> statistical average value

### Accessories

	Dimensions d <sub>2</sub> [mm]	Wrench size [mm]	[g]	Art. No.
<b>Lock nuts ISO 8675 (DIN 439), Steel</b>				
	M10 x 1	16	5.2	<a href="#">22120.0115</a>
	M12 x 1,5	18	7.5	<a href="#">22120.0116</a>
	M16 x 1,5	24	15.0	<a href="#">22120.0118</a>
	M20 x 1,5	30	32.0	<a href="#">22120.0120</a>
<b>Lock nuts ISO 8675 (DIN 439), Stainless steel</b>				
	M10 x 1	16	5.2	<a href="#">22120.0515</a>
	M12 x 1,5	18	7.5	<a href="#">22120.0516</a>
	M16 x 1,5	24	15.0	<a href="#">22120.0518</a>
	M20 x 1,5	30	32.0	<a href="#">22120.0520</a>

### Application example



### Compliance

For detailed compliance information please select the desired article number.