

## Mounting Blocks · for index bolts and index plungers, die-cast

EH 22110.



### Product Description

Assembly support and extended application for index bolts and index plungers. Can also be used for locating the locating bushings and positioning bushings EH 22110..

### Material

#### Grub Screw

- Steel, blackened, with brass pad

#### Body

- Zinc die-cast, plastic coated, black

### Assembly

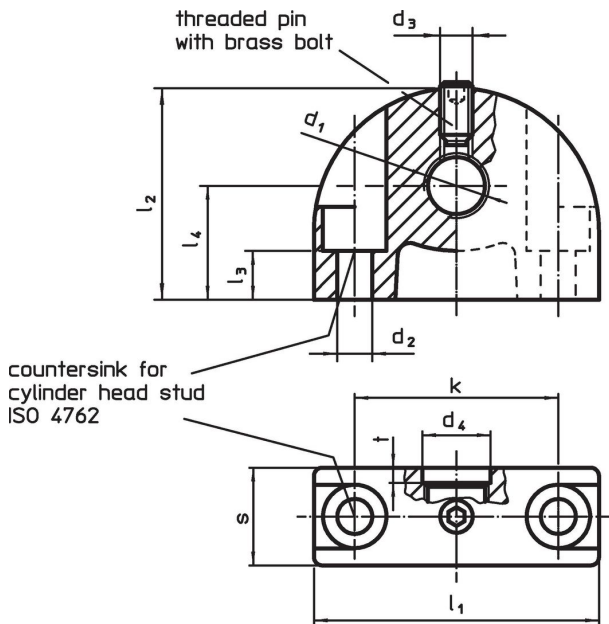
The countersink (t / d<sub>4</sub>) in the thread d<sub>1</sub> is one-sided.

### More information

### Further products

- Locating Bushings, for index bolts and index plungers
- Positioning Bushings, for index bolts and index plungers

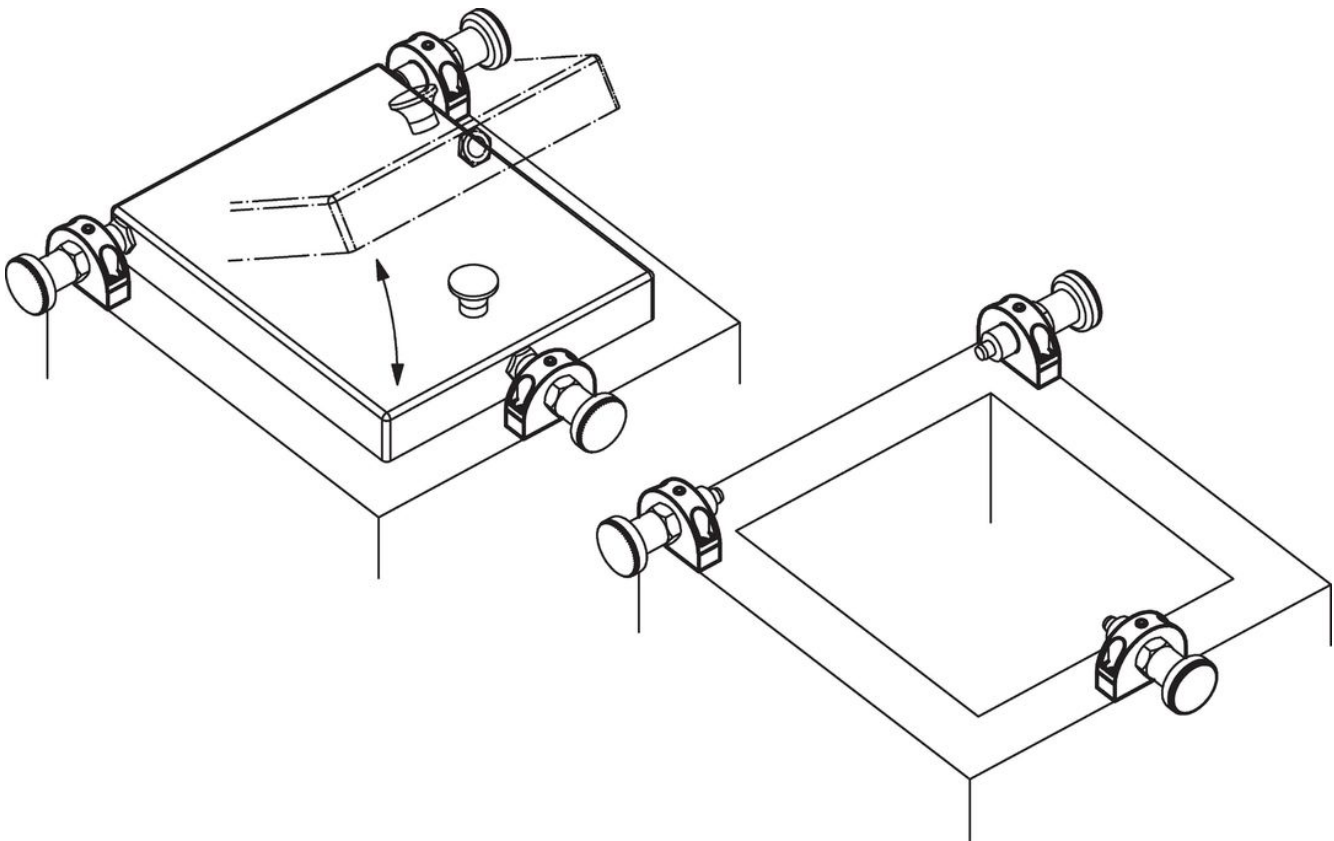
### Drawing



### Order information

Dimensions												max. [°C]	[g]	Art. No.	
d <sub>1</sub>	d <sub>2</sub>	d <sub>3</sub>	d <sub>4</sub>	k	l <sub>1</sub>	l <sub>2</sub>	l <sub>3</sub>	l <sub>4</sub>	s	t	[mm]				
mounting hole vertical to index bolt and index plunger															
M 8 x 1	4.3	M4	8.2	25	35	26	11.5	14	12	2	100	39	22110.0408		
M 8	4.3	M4	8.2	25	35	26	6.0	14	12	2	100	40	22110.0508		
M10 x 1	4.3	M4	10.2	25	35	26	11.5	14	12	2	100	36	22110.0410		
M10	4.3	M4	10.2	25	35	26	6.0	14	12	2	100	38	22110.0510		
M12 x 1,5	4.3	M4	12.2	25	35	26	11.5	14	12	3	100	41	22110.0412		
M12	4.3	M4	12.2	25	35	26	6.0	14	12	3	100	36	22110.0512		
M16 x 1,5	5.3	M5	16.2	35	47	34	15.5	18	14	3	100	77	22110.0416		
M16	5.3	M5	16.2	35	47	34	10.0	18	14	3	100	78	22110.0516		
M20 x 1,5	5.3	M5	20.2	35	47	34	15.5	18	14	3	100	68	22110.0420		

### Application example



### Compliance

For detailed compliance information please select the desired article number.