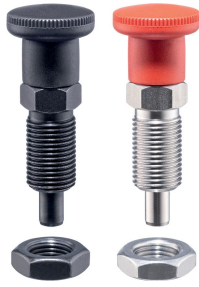


Index Plungers Compact • with hexagon collar and locking EH 22110.



Product Description

Index plungers are used for indexing bores.
Types with / without lock have the same building height.
Due to a thread recess the index plungers can be completely screwed in.

Material

Body

- Steel, blackened
- Stainless steel 1.4305

Locking pin

- Steel, hardened
- Stainless steel 1.4305, nickel-plated

Knob

- Thermoplastic PA 6, black, dull
- Thermoplast PA 6, red, dull

Assembly

The screw length can be adapted by distance collars for index plungers (EH 22120.).

Operation

The knob is pulled-out, turned 90° and secured by a notched catch (when locking pin should not overhang).

More information

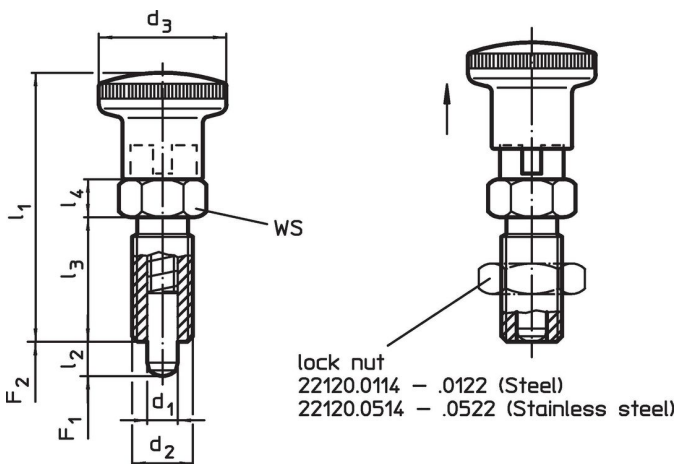
Notes

Knob not removable.
Lock nuts have to be purchased separately.

Further products

- Mounting Blocks, for index bolts and index plungers, die-cast
- Locating Bushings, for index bolts and index plungers
- Distance Collars, for index plungers

Drawing



Order information




Dimensions							WS	Spring load ¹⁾		Temperature		Weight [g]	Art. No.
d ₁	d ₂	l ₂ min.	d ₃	l ₁	l ₃	l ₄		F ₁ ~	F ₂ ~	min.	max.		
[mm]							[mm]	[N]		[°C]		[g]	
with knob, black, Steel													
4	M 8 x 1	4	16	35.0	16	5	10	4.5	12.0	-30	80	12	22110.0123
4	M 8 x 1	6	16	35.0	16	5	10	4.0	12.5	-30	80	12	22110.0124
5	M10 x 1	5	19	40.0	18	6	12	5.0	15.0	-30	80	20	22110.0126
5	M10 x 1	8	19	40.0	18	6	12	5.0	18.0	-30	80	20	22110.0127
6	M12 x 1,5	6	23	48.0	22	6	14	6.5	19.0	-30	80	31	22110.0129
6	M12 x 1,5	9	23	48.0	22	6	14	6.0	25.0	-30	80	33	22110.0130
8	M16 x 1,5	8	28	58.0	26	8	17	8.5	26.0	-30	80	65	22110.0132

¹⁾ statistical average value

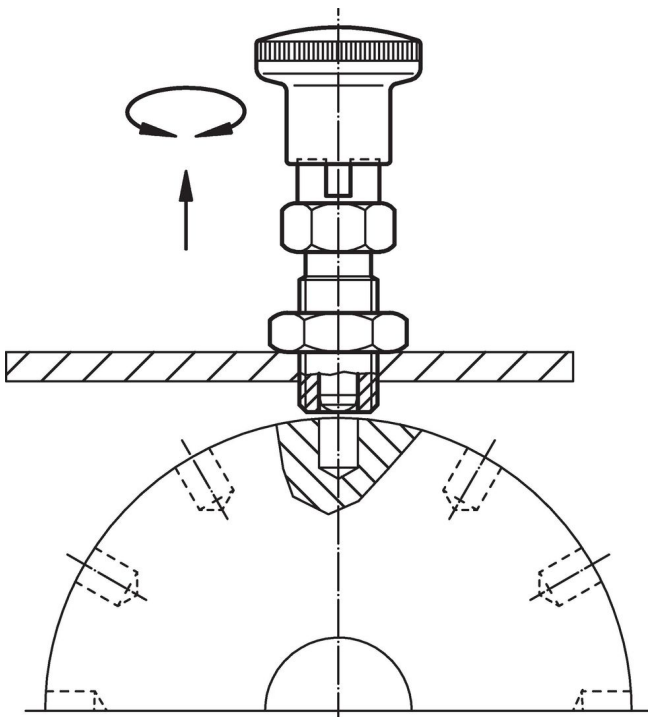
d ₁ -0.02 -0.05	d ₂	Dimensions					WS [mm]	Spring load ¹⁾		min. max.		[g]	Art. No.
		l ₂ min.	d ₃	l ₁	l ₃	l ₄		F ₁ ~ [N]	F ₂ ~ [N]	[°C]			
[mm]													
8	M16 x 1,5	12	28	58.0	26	8	17	8.5	28.0	-30	80	68	22110.0133
10	M16 x 1,5	12	28	58.0	26	8	17	9.5	38.0	-30	80	69	22110.0135
12	M20 x 1,5	15	33	67.0	33	10	22	11.5	40.0	-30	80	125	22110.0136
16	M24 x 2	20	33	78.5	38	12	27	13.0	54.0	-30	80	219	22110.0137
with knob, black, Stainless steel													
4	M 8 x 1	4	16	35.0	16	5	10	4.5	12.0	-30	80	12	22110.0223
4	M 8 x 1	6	16	35.0	16	5	10	4.0	12.5	-30	80	12	22110.0224
5	M10 x 1	5	19	40.0	18	6	12	5.0	15.0	-30	80	20	22110.0226
5	M10 x 1	8	19	40.0	18	6	12	5.0	18.0	-30	80	20	22110.0227
6	M12 x 1,5	6	23	48.0	22	6	14	6.5	19.0	-30	80	31	22110.0229
6	M12 x 1,5	9	23	48.0	22	6	14	6.0	25.0	-30	80	33	22110.0230
8	M16 x 1,5	8	28	58.0	26	8	17	8.5	26.0	-30	80	65	22110.0232
8	M16 x 1,5	12	28	58.0	26	8	17	8.5	28.0	-30	80	68	22110.0233
10	M16 x 1,5	12	28	58.0	26	8	17	9.5	38.0	-30	80	69	22110.0235
12	M20 x 1,5	15	33	67.0	33	10	22	11.5	40.0	-30	80	125	22110.0236
16	M24 x 2	20	33	78.5	38	12	27	13.0	54.0	-30	80	219	22110.0237
with knob, red, Steel													
4	M 8 x 1	4	16	35.0	16	5	10	4.5	12.0	-30	80	11	22110.2123
4	M 8 x 1	6	16	35.0	16	5	10	4.0	12.5	-30	80	13	22110.2124
5	M10 x 1	5	19	40.0	18	6	12	5.0	15.0	-30	80	21	22110.2126
5	M10 x 1	8	19	40.0	18	6	12	5.0	18.0	-30	80	21	22110.2127
6	M12 x 1,5	6	23	48.0	22	6	14	6.5	19.0	-30	80	33	22110.2129
6	M12 x 1,5	9	23	48.0	22	6	14	6.0	25.0	-30	80	32	22110.2130
8	M16 x 1,5	8	28	58.0	26	8	17	8.5	26.0	-30	80	65	22110.2132
8	M16 x 1,5	12	28	58.0	26	8	17	8.5	28.0	-30	80	69	22110.2133
10	M16 x 1,5	12	28	58.0	26	8	17	9.5	38.0	-30	80	70	22110.2135
12	M20 x 1,5	15	33	71.5	33	10	22	11.5	40.0	-30	80	127	22110.2136
16	M24 x 2	20	33	78.5	38	12	27	13.0	54.0	-30	80	200	22110.2137
with knob, red, Stainless steel													
4	M 8 x 1	4	16	35.0	16	5	10	4.5	12.0	-30	80	11	22110.2223
4	M 8 x 1	6	16	35.0	16	5	10	4.0	12.5	-30	80	13	22110.2224
5	M10 x 1	5	19	40.0	18	6	12	5.0	15.0	-30	80	21	22110.2226
5	M10 x 1	8	19	40.0	18	6	12	5.0	18.0	-30	80	21	22110.2227
6	M12 x 1,5	6	23	48.0	22	6	14	6.5	19.0	-30	80	33	22110.2229
6	M12 x 1,5	9	23	48.0	22	6	14	6.0	25.0	-30	80	32	22110.2230
8	M16 x 1,5	8	28	58.0	26	8	17	8.5	26.0	-30	80	65	22110.2232
8	M16 x 1,5	12	28	58.0	26	8	17	8.5	28.0	-30	80	69	22110.2233
10	M16 x 1,5	12	28	58.0	26	8	17	9.5	38.0	-30	80	70	22110.2235
12	M20 x 1,5	15	33	71.5	33	10	22	11.5	40.0	-30	80	127	22110.2236
16	M24 x 2	20	33	78.5	38	12	27	13.0	54.0	-30	80	200	22110.2237

¹⁾ statistical average value

Accessories

	Dimensions d_2 [mm]	Wrench size [mm]	 [g]	Art. No.
Lock nuts ISO 8675 (DIN 439), Steel				
	M 8 x 1	13	2.7	22120.0114
	M10 x 1	16	5.2	22120.0115
	M12 x 1,5	18	7.5	22120.0116
	M16 x 1,5	24	15.0	22120.0118
	M20 x 1,5	30	32.0	22120.0120
	M24 x 2	36	58.0	22120.0122
Lock nuts ISO 8675 (DIN 439), Stainless steel				
	M 8 x 1	13	2.7	22120.0514
	M10 x 1	16	5.2	22120.0515
	M12 x 1,5	18	7.5	22120.0516
	M16 x 1,5	24	15.0	22120.0518
	M20 x 1,5	30	32.0	22120.0520
	M24 x 2	36	58.0	22120.0522

Application example



Compliance

For detailed compliance information please select the desired article number.