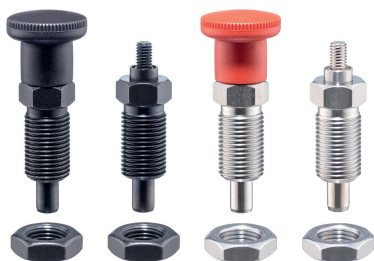


## Index Plungers Compact • with hexagon collar

EH 22110.



### Product Description

Index plungers are used for indexing bores.  
Types with / without lock have the same building height.  
Due to a thread recess the index plungers can be completely screwed in.

### Material

#### Body

- Steel, blackened
- Stainless steel 1.4305

#### Locking pin

- Steel, hardened
- Stainless steel 1.4305, nickel-plated

#### Knob

- Thermoplastic PA 6, black, dull
- Thermoplast PA 6, red, dull

### Assembly

The screw length can be adapted by distance collars for index plungers (EH 22120.).

### More information

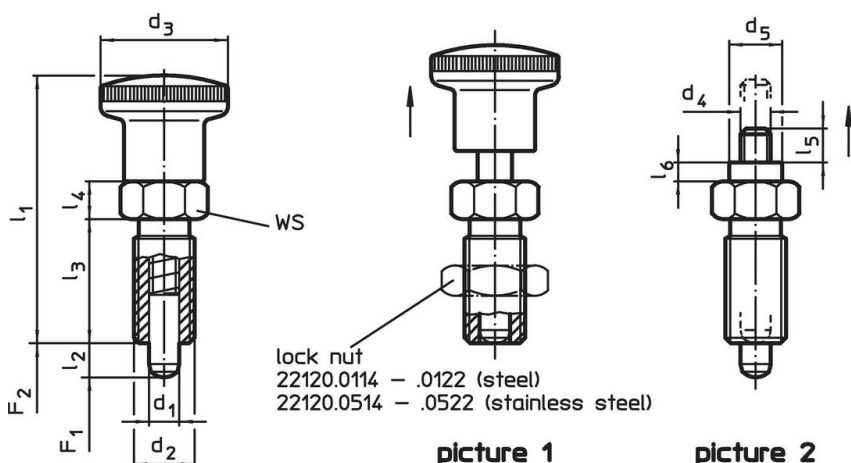
### Notes

Knob not removable.  
Lock nuts have to be purchased separately.

### Further products

- Mounting Blocks, for index bolts and index plungers, die-cast
- Locating Bushings, for index bolts and index plungers
- Distance Collars, for index plungers

### Drawing



### Order information

Dimensions											WS	Spring load <sup>1)</sup>		Temperature		Weight	Art. No.
d <sub>1</sub>	d <sub>2</sub>	l <sub>2</sub> min.	d <sub>3</sub>	d <sub>4</sub>	d <sub>5</sub>	l <sub>1</sub>	l <sub>3</sub>	l <sub>4</sub>	l <sub>5</sub>	l <sub>6</sub>		F <sub>1</sub> ~	F <sub>2</sub> ~	min.	max.		
[mm]											[mm]	[N]		[°C]		[g]	
<b>with knob, black – picture 1, Steel</b>																	
4	M 8 x 1	4	16	-	-	35.0	16	5	-	-	10	4.5	12.0	-30	80	10	<a href="#">22110.0103</a>
4	M 8 x 1	6	16	-	-	35.0	16	5	-	-	10	4.0	12.5	-30	80	10	<a href="#">22110.0104</a>
5	M10 x 1	5	19	-	-	40.0	18	6	-	-	12	5.0	15.0	-30	80	18	<a href="#">22110.0106</a>
5	M10 x 1	8	19	-	-	40.0	18	6	-	-	12	5.0	18.0	-30	80	18	<a href="#">22110.0107</a>
6	M12 x 1,5	6	23	-	-	48.0	22	6	-	-	14	6.5	19.0	-30	80	29	<a href="#">22110.0109</a>
6	M12 x 1,5	9	23	-	-	48.0	22	6	-	-	14	6.0	25.0	-30	80	29	<a href="#">22110.0110</a>
8	M16 x 1,5	8	28	-	-	58.0	26	8	-	-	17	8.5	26.0	-30	80	62	<a href="#">22110.0112</a>
8	M16 x 1,5	12	28	-	-	58.0	26	8	-	-	17	8.5	28.0	-30	80	62	<a href="#">22110.0113</a>
10	M16 x 1,5	12	28	-	-	58.0	26	8	-	-	17	9.5	38.0	-30	80	63	<a href="#">22110.0115</a>
12	M20 x 1,5	15	33	-	-	67.0	33	10	-	-	22	11.5	40.0	-30	80	128	<a href="#">22110.0116</a>
16	M24 x 2	20	33	-	-	78.5	38	12	-	-	27	13.0	54.0	-30	80	203	<a href="#">22110.0117</a>

<sup>1)</sup> statistical average value



d <sub>1</sub> -0.02 -0.05	d <sub>2</sub>	l <sub>2</sub> min.	Dimensions									WS [mm]	Spring load <sup>1)</sup>		min. max. [°C]		[g]	Art. No.
			d <sub>3</sub>	d <sub>4</sub>	d <sub>5</sub>	l <sub>1</sub>	l <sub>3</sub>	l <sub>4</sub>	l <sub>5</sub>	l <sub>6</sub>	F <sub>1</sub> ~		F <sub>2</sub> ~	[N]	[°C]			
[mm]											[mm]	[N]		[°C]		[g]		
<b>with knob, red – picture 1, Steel</b>																		
4	M 8 x 1	4	16	-	-	35.0	16	5	-	-	10	4.5	12.0	-30	80	10	22110.2103	
4	M 8 x 1	6	16	-	-	35.0	16	5	-	-	10	4.0	12.5	-30	80	11	22110.2104	
5	M10 x 1	5	19	-	-	40.0	18	6	-	-	12	5.0	15.0	-30	80	18	22110.2106	
5	M10 x 1	8	19	-	-	40.0	18	6	-	-	12	5.0	18.0	-30	80	18	22110.2107	
6	M12 x 1,5	6	23	-	-	48.0	22	6	-	-	14	6.5	19.0	-30	80	30	22110.2109	
6	M12 x 1,5	9	23	-	-	48.0	22	6	-	-	14	6.0	25.0	-30	80	29	22110.2110	
8	M16 x 1,5	8	28	-	-	58.0	26	8	-	-	17	8.5	26.0	-30	80	62	22110.2112	
8	M16 x 1,5	12	28	-	-	58.0	26	8	-	-	17	8.5	28.0	-30	80	64	22110.2113	
10	M16 x 1,5	12	28	-	-	58.0	26	8	-	-	17	9.5	38.0	-30	80	65	22110.2115	
12	M20 x 1,5	15	33	-	-	71.5	33	10	-	-	22	11.5	40.0	-30	80	117	22110.2116	
16	M24 x 2	20	33	-	-	78.5	38	12	-	-	27	13.0	54.0	-30	80	202	22110.2117	
<b>without knob – picture 2, Steel</b>																		
4	M 8 x 1	4	-	M3	7	-	16	5	4.5	2.5	10	4.5	12.0	-	250	9	22110.0143	
4	M 8 x 1	6	-	M3	7	-	16	5	4.5	2.5	10	4.0	12.5	-	250	9	22110.0144	
5	M10 x 1	5	-	M4	8	-	18	6	5.5	3.0	12	5.0	15.0	-	250	16	22110.0146	
5	M10 x 1	8	-	M4	8	-	18	6	5.5	3.0	12	5.0	18.0	-	250	17	22110.0147	
6	M12 x 1,5	6	-	M5	9	-	22	6	7.0	3.5	14	6.5	19.0	-	250	25	22110.0149	
6	M12 x 1,5	9	-	M5	9	-	22	6	7.0	3.5	14	6.0	25.0	-	250	26	22110.0150	
8	M16 x 1,5	8	-	M6	10	-	26	8	8.5	4.0	17	8.5	26.0	-	250	54	22110.0152	
8	M16 x 1,5	12	-	M6	10	-	26	8	8.5	4.0	17	8.5	28.0	-	250	55	22110.0153	
10	M16 x 1,5	12	-	M6	10	-	26	8	8.5	4.0	17	9.5	38.0	-	250	56	22110.0155	
12	M20 x 1,5	15	-	M6	12	-	33	10	8.5	4.0	22	11.5	40.0	-	250	111	22110.0156	
16	M24 x 2	20	-	M8	15	-	38	12	11.5	5.0	27	13.0	54.0	-	250	193	22110.0157	
<b>with knob, black – picture 1, Stainless steel</b>																		
4	M 8 x 1	4	16	-	-	35.0	16	5	-	-	10	4.5	12.0	-30	80	10	22110.0203	
4	M 8 x 1	6	16	-	-	35.0	16	5	-	-	10	4.0	12.5	-30	80	10	22110.0204	
5	M10 x 1	5	19	-	-	40.0	18	6	-	-	12	5.0	15.0	-30	80	18	22110.0206	
5	M10 x 1	8	19	-	-	40.0	18	6	-	-	12	5.0	18.0	-30	80	18	22110.0207	
6	M12 x 1,5	6	23	-	-	48.0	22	6	-	-	14	6.5	19.0	-30	80	29	22110.0209	
6	M12 x 1,5	9	23	-	-	48.0	22	6	-	-	14	6.0	25.0	-30	80	29	22110.0210	
8	M16 x 1,5	8	28	-	-	58.0	26	8	-	-	17	8.5	26.0	-30	80	62	22110.0212	
8	M16 x 1,5	12	28	-	-	58.0	26	8	-	-	17	8.5	28.0	-30	80	62	22110.0213	
10	M16 x 1,5	12	28	-	-	58.0	26	8	-	-	17	9.5	38.0	-30	80	63	22110.0215	
12	M20 x 1,5	15	33	-	-	67.0	33	10	-	-	22	11.5	40.0	-30	80	128	22110.0216	
16	M24 x 2	20	33	-	-	78.5	38	12	-	-	27	13.0	54.0	-30	80	203	22110.0217	
<b>with knob, red – picture 1, Stainless steel</b>																		
4	M 8 x 1	4	16	-	-	35.0	16	5	-	-	10	4.5	12.0	-30	80	10	22110.2203	
4	M 8 x 1	6	16	-	-	35.0	16	5	-	-	10	4.0	12.5	-30	80	11	22110.2204	
5	M10 x 1	5	19	-	-	40.0	18	6	-	-	12	5.0	15.0	-30	80	18	22110.2206	
5	M10 x 1	8	19	-	-	40.0	18	6	-	-	12	5.0	18.0	-30	80	18	22110.2207	
6	M12 x 1,5	6	23	-	-	48.0	22	6	-	-	14	6.5	19.0	-30	80	30	22110.2209	
6	M12 x 1,5	9	23	-	-	48.0	22	6	-	-	14	6.0	25.0	-30	80	29	22110.2210	
8	M16 x 1,5	8	28	-	-	58.0	26	8	-	-	17	8.5	26.0	-30	80	62	22110.2212	
8	M16 x 1,5	12	28	-	-	58.0	26	8	-	-	17	8.5	28.0	-30	80	64	22110.2213	
10	M16 x 1,5	12	28	-	-	58.0	26	8	-	-	17	9.5	38.0	-30	80	65	22110.2215	
12	M20 x 1,5	15	33	-	-	71.5	33	10	-	-	22	11.5	40.0	-30	80	117	22110.2216	
16	M24 x 2	20	33	-	-	78.5	38	12	-	-	27	13.0	54.0	-30	80	202	22110.2217	
<b>without knob – picture 2, Stainless steel</b>																		
4	M 8 x 1	4	-	M3	7	-	16	5	4.5	2.5	10	4.5	12.0	-	250	9	22110.0243	
4	M 8 x 1	6	-	M3	7	-	16	5	4.5	2.5	10	4.0	12.5	-	250	9	22110.0244	
5	M10 x 1	5	-	M4	8	-	18	6	5.5	3.0	12	5.0	15.0	-	250	16	22110.0246	
5	M10 x 1	8	-	M4	8	-	18	6	5.5	3.0	12	5.0	18.0	-	250	17	22110.0247	
6	M12 x 1,5	6	-	M5	9	-	22	6	7.0	3.5	14	6.5	19.0	-	250	25	22110.0249	
6	M12 x 1,5	9	-	M5	9	-	22	6	7.0	3.5	14	6.0	25.0	-	250	26	22110.0250	
8	M16 x 1,5	8	-	M6	10	-	26	8	8.5	4.0	17	8.5	26.0	-	250	54	22110.0252	

<sup>1)</sup> statistical average value

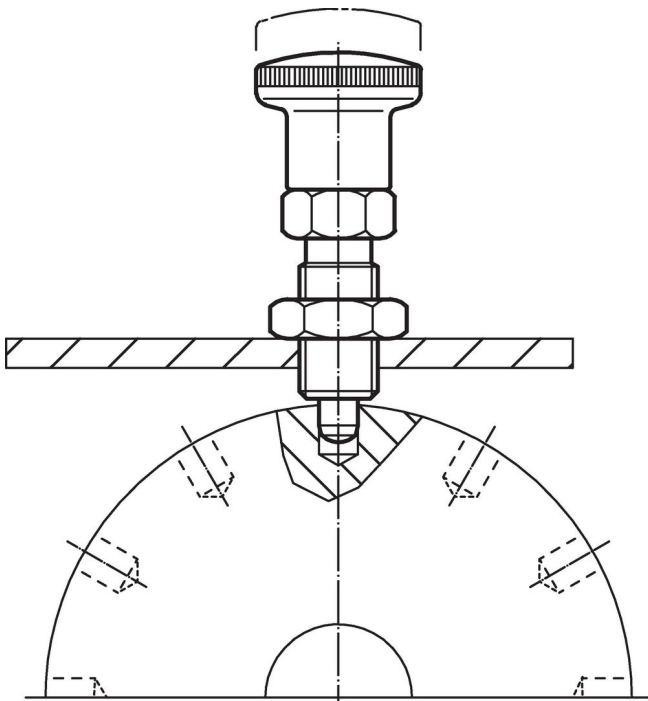
d <sub>1</sub> -0.02 -0.05	d <sub>2</sub>	l <sub>2</sub> min.	Dimensions								WS [mm]	Spring load <sup>1)</sup>		min. max.		[g]	Art. No.
			d <sub>3</sub>	d <sub>4</sub>	d <sub>5</sub>	l <sub>1</sub>	l <sub>3</sub>	l <sub>4</sub>	l <sub>5</sub>	l <sub>6</sub>		F <sub>1</sub> ~	F <sub>2</sub> ~	[°C]	[g]		
[mm]											[N]	[°C]		[g]			
8	M16 x 1,5	12	-	M6	10	-	26	8	8.5	4.0	17	8.5	28.0	-	250	55	22110.0253
10	M16 x 1,5	12	-	M6	10	-	26	8	8.5	4.0	17	9.5	38.0	-	250	56	22110.0255
12	M20 x 1,5	15	-	M6	12	-	33	10	8.5	4.0	22	11.5	40.0	-	250	111	22110.0256
16	M24 x 2	20	-	M8	15	-	38	12	11.5	5.0	27	13.0	54.0	-	250	193	22110.0257

<sup>1)</sup> statistical average value

### Accessories

	Dimensions		Wrench size		Art. No.
	d <sub>2</sub> [mm]		[mm]	[g]	
<b>Lock nuts ISO 8675 (DIN 439), Steel</b>					
	M 8 x 1		13	2.7	22120.0114
	M10 x 1		16	5.2	22120.0115
	M12 x 1,5		18	7.5	22120.0116
	M16 x 1,5		24	15.0	22120.0118
	M20 x 1,5		30	32.0	22120.0120
	M24 x 2		36	58.0	22120.0122
<b>Lock nuts ISO 8675 (DIN 439), Stainless steel</b>					
	M 8 x 1		13	2.7	22120.0514
	M10 x 1		16	5.2	22120.0515
	M12 x 1,5		18	7.5	22120.0516
	M16 x 1,5		24	15.0	22120.0518
	M20 x 1,5		30	32.0	22120.0520
	M24 x 2		36	58.0	22120.0522

### Application example



### Compliance

For detailed compliance information please select the desired article number.