

Positioning Bushings • for index bolts and index plungers

EH 22110.



Product Description

Positioning bushings are suitable for locating the locking pin of the index bolt or index plunger. Can also be mounted in mounting blocks, die-cast EH 22110. and mounting blocks EH 22120.. Low wear thanks to hardened running ball.

Material

- Steel, hardened, blackened
- Stainless steel, hardened

More information

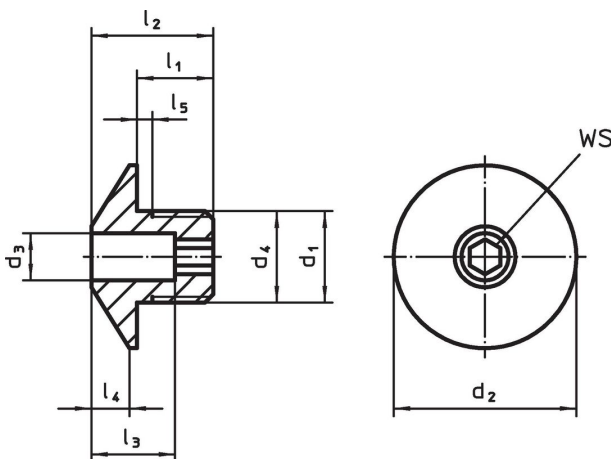
Notes

The thread is matched to the mounting blocks for index bolts and index plungers, die-cast (EH 22110.) and mounting blocks for index bolts and index plungers (EH 22120.).


Further products

- Mounting Blocks, for index bolts and index plungers, die-cast
- Mounting Blocks, for index bolts and index plungers

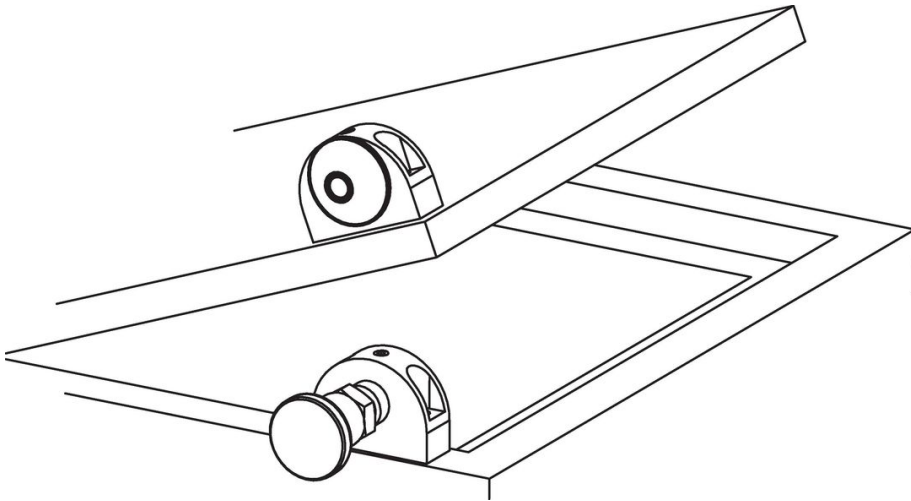
Drawing



Order information

d ₁	d ₃ +0.1	d ₂	Dimensions						For pin [mm]	WS [mm]	 [g]	Art. No.
			d ₄ -0.05	l ₁	l ₂	l ₃	l ₄	l ₅ +0.5				
[mm]												
Steel												
M12 x 1,5	4.2	24	12	10	16	11	5	1.5	4	4	17	22110.0464
M12 x 1,5	5.2	24	12	10	16	11	5	1.5	5	4	17	22110.0465
M12 x 1,5	6.2	24	12	10	16	11	5	1.5	6	4	16	22110.0466
M16 x 1,5	8.2	32	16	12	20	13	7	1.5	8	6	36	22110.0468
M16 x 1,5	10.2	32	16	12	20	13	7	1.5	10	6	34	22110.0470
M16 x 1,5	12.2	32	16	12	20	13	7	1.5	12	6	33	22110.0472
Stainless steel												
M12 x 1,5	4.2	24	12	10	16	11	5	1.5	4	4	17	22110.0474
M12 x 1,5	5.2	24	12	10	16	11	5	1.5	5	4	17	22110.0475
M12 x 1,5	6.2	24	12	10	16	11	5	1.5	6	4	16	22110.0476
M16 x 1,5	8.2	32	16	12	20	13	7	1.5	8	6	36	22110.0478
M16 x 1,5	10.2	32	16	12	20	13	7	1.5	10	6	34	22110.0480
M16 x 1,5	12.2	32	16	12	20	13	7	1.5	12	6	33	22110.0482

Application example



Compliance

For detailed compliance information please select the desired article number.