

Spring Plungers • headed, with ball and internal hexagon EH 22030.



Product Description

Spring plungers can be used for locating or for applying pressure, as a detent or for ejection. Precise screwing depth due to head.

Material

Body

- Free cutting steel, blackened
- Stainless steel 1.4305

Ball

- Ball-bearing steel, hardened
- Stainless steel, hardened

Spring

- Stainless steel

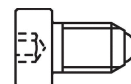
Assembly

Respect dimension l_3 for M 4 / M 5.

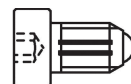
Characteristic

Standard spring load: no marking

Heavy spring load: marked with two lines



Standard spring load



Heavy spring load

More information

Notes

Customized design on request.

Spring plungers are specially tested for spring range and forces.

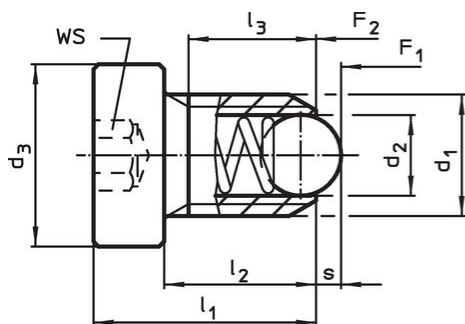
References

Thread lock on request, please refer to appendix - Technical Data -
Calculation of indexing resistance, please refer to appendix - Technical Data -

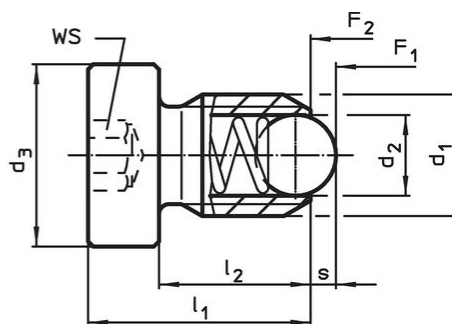
Further products

- Locators, with bore hole, for spring plungers
- Locators, smooth, for spring plungers

Drawing



Size M4+M5



Size M6-M12

Order information

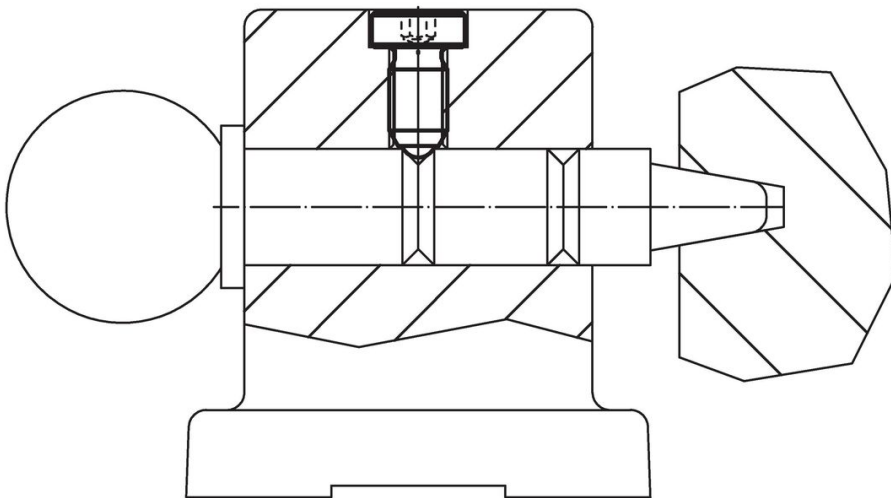
| d ₁ | d ₂ | Dimensions | | | | l ₃ min. | WS [mm] | Stroke s [mm] | Spring load ¹⁾ | | max. [°C] | g | Art. No. |
|--|----------------|----------------|----------------|----------------|----------------------------|------------------------|------------|---------------------|----------------------------|-----|--------------|------------|----------|
| | | d ₃ | l ₁ | l ₂ | F ₁ ~ [N] | | | | F ₂ ~ [N] | | | | |
| free cutting steel, standard spring load | | | | | | | | | | | | | |
| M 4 | 2.5 | 6 | 12 | 9.0 | 7.5 | 2.0 | 0.8 | 8.0 | 14.0 | 250 | 1.0 | 22030.0930 | |
| M 5 | 3.0 | 8 | 14 | 10.0 | 8.2 | 2.5 | 0.9 | 8.0 | 14.0 | 250 | 2.3 | 22030.0931 | |
| M 6 | 3.5 | 10 | 15 | 10.0 | – | 3.0 | 1.0 | 11.0 | 18.0 | 250 | 3.9 | 22030.0932 | |
| M 8 | 4.5 | 13 | 18 | 12.5 | – | 4.0 | 1.5 | 18.0 | 31.0 | 250 | 7.8 | 22030.0933 | |
| M10 | 6.0 | 16 | 23 | 17.0 | – | 5.0 | 2.0 | 24.0 | 45.0 | 250 | 14.0 | 22030.0934 | |
| M12 | 8.0 | 18 | 26 | 19.0 | – | 6.0 | 2.5 | 26.0 | 49.0 | 250 | 21.0 | 22030.0935 | |

¹⁾ statistical average value

| d ₁ | Dimensions | | | | | WS [mm] | Stroke s [mm] | Spring load ¹⁾ | | max. [°C] | [g] | Art. No. |
|--|----------------|----------------|----------------|----------------|------------------------|------------|---------------------|----------------------------|----------------------------|--------------|------|----------------------------|
| | d ₂ | d ₃ | l ₁ | l ₂ | l ₃ min. | | | F ₁ ~ [N] | F ₂ ~ [N] | | | |
| free cutting steel, heavy spring load | | | | | | | | | | | | |
| M 4 | 2.5 | 6 | 12 | 9.0 | 7.5 | 2.0 | 0.8 | 12.0 | 18.0 | 250 | 1.1 | 22030.1040 |
| M 5 | 3.0 | 8 | 14 | 10.0 | 8.2 | 2.5 | 0.9 | 15.0 | 22.0 | 250 | 2.3 | 22030.1050 |
| M 6 | 3.5 | 10 | 15 | 10.0 | – | 3.0 | 1.0 | 19.3 | 26.6 | 250 | 3.9 | 22030.1060 |
| M 8 | 4.5 | 13 | 18 | 12.5 | – | 4.0 | 1.5 | 36.0 | 60.5 | 250 | 7.8 | 22030.1080 |
| M10 | 6.0 | 16 | 23 | 17.0 | – | 5.0 | 2.0 | 57.0 | 103.5 | 250 | 14.0 | 22030.1100 |
| M12 | 8.0 | 18 | 26 | 19.0 | – | 6.0 | 2.5 | 61.0 | 110.0 | 250 | 21.0 | 22030.1120 |
| stainless steel, standard spring load | | | | | | | | | | | | |
| M 4 | 2.5 | 6 | 12 | 9.0 | 7.5 | 2.0 | 0.8 | 8.0 | 14.0 | 250 | 1.1 | 22030.0940 |
| M 5 | 3.0 | 8 | 14 | 10.0 | 8.2 | 2.5 | 0.9 | 8.0 | 14.0 | 250 | 2.3 | 22030.0941 |
| M 6 | 3.5 | 10 | 15 | 10.0 | – | 3.0 | 1.0 | 11.0 | 18.0 | 250 | 3.9 | 22030.0942 |
| M 8 | 4.5 | 13 | 18 | 12.5 | – | 4.0 | 1.5 | 18.0 | 31.0 | 250 | 7.8 | 22030.0943 |
| M10 | 6.0 | 16 | 23 | 17.0 | – | 5.0 | 2.0 | 24.0 | 45.0 | 250 | 14.0 | 22030.0944 |
| M12 | 8.0 | 18 | 26 | 19.0 | – | 6.0 | 2.5 | 26.0 | 49.0 | 250 | 21.0 | 22030.0945 |
| stainless steel, heavy spring load | | | | | | | | | | | | |
| M 4 | 2.5 | 6 | 12 | 9.0 | 7.5 | 2.0 | 0.8 | 12.0 | 18.0 | 250 | 1.1 | 22030.2040 |
| M 5 | 3.0 | 8 | 14 | 10.0 | 8.2 | 2.5 | 0.9 | 15.0 | 22.0 | 250 | 2.3 | 22030.2050 |
| M 6 | 3.5 | 10 | 15 | 10.0 | – | 3.0 | 1.0 | 19.3 | 26.6 | 250 | 3.9 | 22030.2060 |
| M 8 | 4.5 | 13 | 18 | 12.5 | – | 4.0 | 1.5 | 36.0 | 60.5 | 250 | 7.9 | 22030.2080 |
| M10 | 6.0 | 16 | 23 | 17.0 | – | 5.0 | 2.0 | 57.0 | 103.5 | 250 | 14.0 | 22030.2100 |
| M12 | 8.0 | 18 | 26 | 19.0 | – | 6.0 | 2.5 | 61.0 | 110.0 | 250 | 22.0 | 22030.2120 |

¹⁾ statistical average value

Application example



Compliance

For detailed compliance information please select the desired article number.