

## Base Plates · with 4 double acting connecting elements

EH 1990.



### Product Description

#### Material

**Connecting element**  
• Steel, case-hardened, ground

**Base plate**  
• Aluminium Al

#### More information

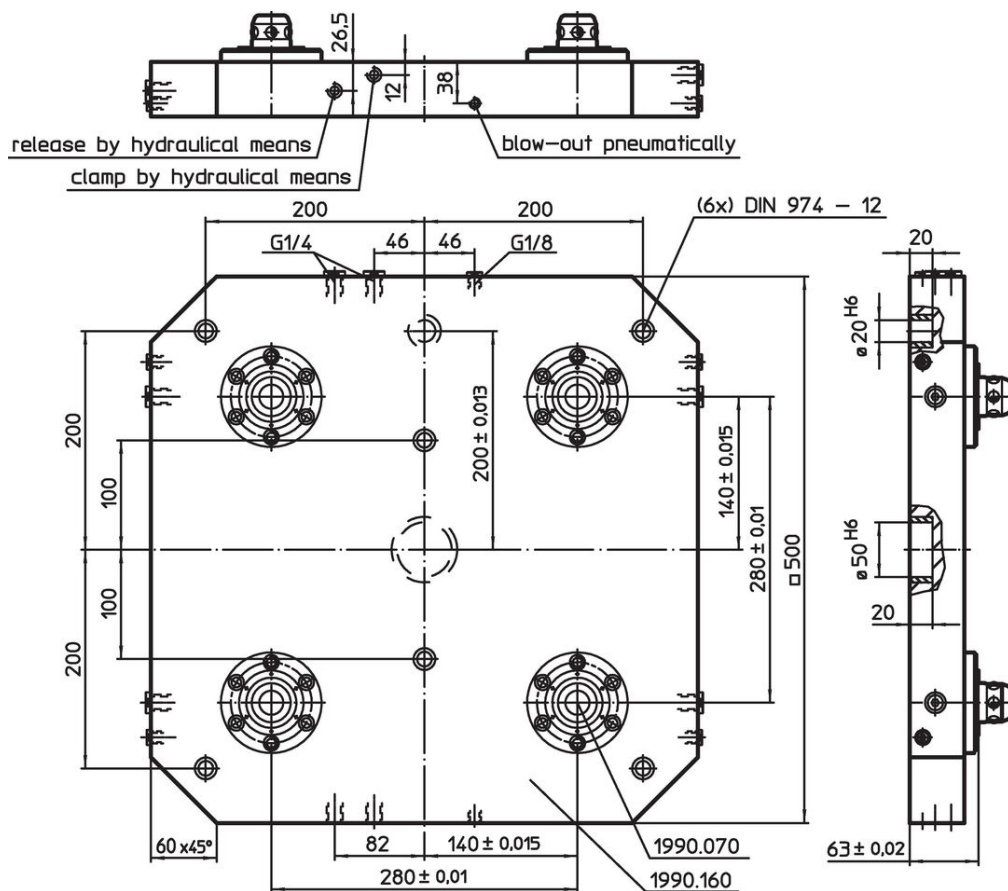
#### Notes

Customized design on request.


#### Further products

- Connecting Elements, hydraulically operated, double acting, with lifting-off and blow-out
- Supporting Plates, with 4 connecting rings

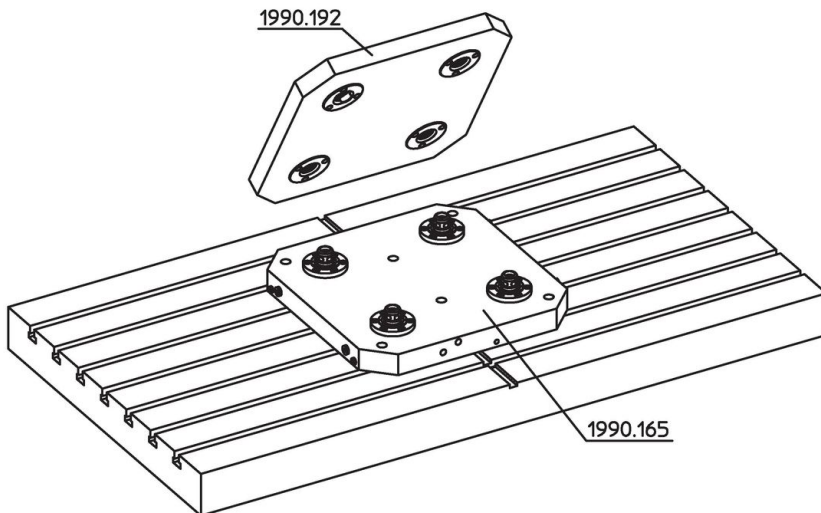
### Drawing



### Order information

Art. No.	
 [kg] 35	1990.165

## Application example



## Compliance

### RoHS compliant

Contains lead - compliant according to exceptions 6a / 6b / 6c.

### Contains SVHC substances >0,1% w/w

Contains lead - SVHC list [REACH] as of 27.06.2024.

### Contains Proposition 65 substances



Lead can cause cancer and reproductive harm from exposure  
<https://www.P65Warnings.ca.gov/>

### Free from Conflict Minerals

This product does not contain any substances designated as "conflict minerals" such as tantalum, tin, gold or tungsten from the Democratic Republic of Congo or adjacent countries.