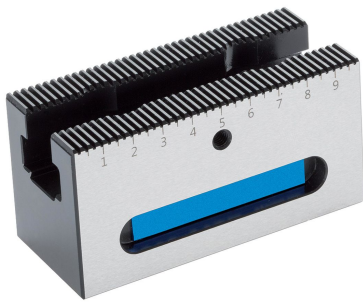


Clamping Bars • length 100
EH 1585.

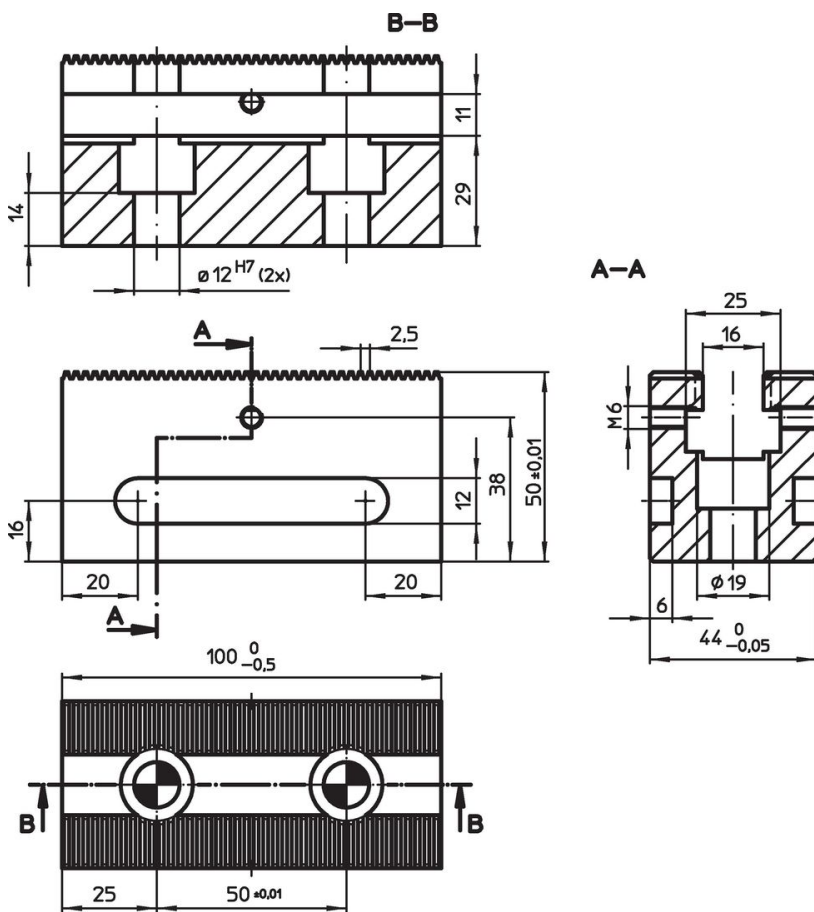


Product Description


Material

- Tool steel, hardened



Drawing



Order information

 [g]	Art. No.
1168	1585.100

Accessories

	Number locating screws M12 x 45	 [g]	Art. No.
fixing screws for clamping bars			
	2	106	1585.101

Compliance

For detailed compliance information please select the desired article number.