

## Lateral Plungers • with plastic spring and pin - INCH

2B150.0321



### Product Description

To be used for positioning and applying pressure, e.g. during painting and sandblasting.

#### Material

- Body**
- Aluminium Al
- Spring**
- plastic
- Pin**
- Stainless steel

#### Assembly

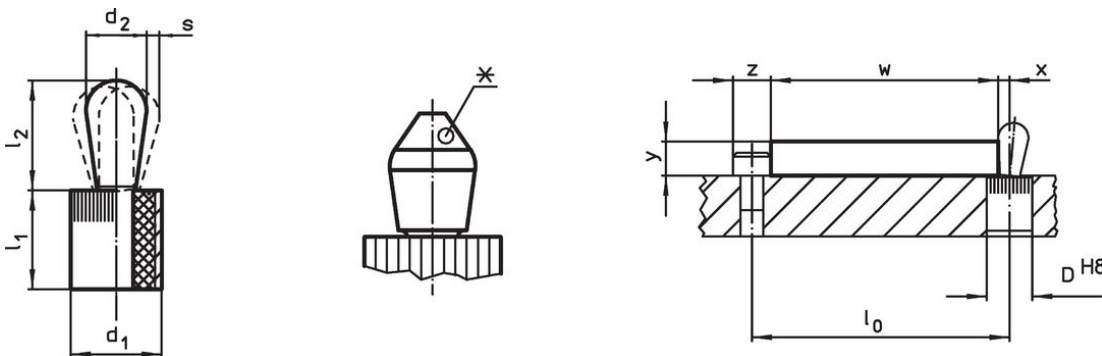
Installation by pressing in.  
Formula for calculating the center distance for the mounting hole:

$l_0 = z/2 + w + x$ ,  
 $l_0$  = center distance,  
 $y$  = workpiece height,  
 $w$  = workpiece length,  
 $x$  = coordinate dimension,  
 $s$  = stroke,  
 $z$  = stop diameter  
 Calculation dimension  $x$ :  
 $y$  greater than or equal to  $l_2 - d_2/2$ ,  
 then  $x = d_2/2 - s$   
 or  
 $y$  smaller than  $l_2 - d_2/2$ ,  
 then  $x = d_2/2 - s - [(l_2 - d_2/2 - y) * 0,123]$

#### Characteristic

Version standard spring load = red spring

### Drawing



\*some sizes (see chart) have a deviating pin shape

### Order information

Dimensions		Spring load F max. <sup>1)</sup> ~ [lb]	Dimensions		Stroke s [in]	Location hole D H8 [in]	$x^{2)}$ [in]	max. [°F]	oz	Art. No.
$d_1$ [in]	$d_2$ [in]		$l_1$ -0.03 [in]	$l_2$ $\pm 0.02$ [in]						
7/16	0.197	13.5	0.374	0.287	0.016	0.438	0.083	212	0.093	2B150.0321

<sup>1)</sup> statistical average value

<sup>2)</sup> If the workpiece height ( $y$ ) is less than  $l_2 - d_2/2$ , the coordinate dimension ( $x$ ) must be calculated.

Accessories

	Dimensions d <sub>1</sub> [in]	 [oz]	Art. No.
<b>assembly tool</b>			
	7/16	1.749	22150.0831

Compliance

**RoHS compliant**

Compliant according to Directive 2011/65/EU and Directive 2015/863.

**Does not contain SVHC substances**

No SVHC substances with more than 0.1% w/w contained - SVHC list [REACH] as of 23.01.2024.

**Does not contain Proposition 65 substances**

No Proposition 65 substances included.

<https://www.P65Warnings.ca.gov/>

**Free from Conflict Minerals**

This product does not contain any substances designated as "conflict minerals" such as tantalum, tin, gold or tungsten from the Democratic Republic of Congo or adjacent countries.