

Lateral Plungers · smooth, without seal - INCH  
2B150.0080



**Product Description**

To be used for positioning and applying pressure, e.g. during painting and sandblasting.

**Material**

**Body**

- Aluminium Al

**Spring**

- Stainless steel

**Pin**

- Thermoplastic POM, white

**Assembly**

Installation by pressing in.

Formula for calculating the center distance for the mounting hole:

$$l_0 = z/2 + w + x,$$

$l_0$  = center distance,

$y$  = workpiece height,

$w$  = workpiece length,

$x$  = coordinate dimension,

$s$  = stroke,

$z$  = stop diameter

Calculation dimension  $x$ :

$y$  greater than or equal to  $l_2 - d_2/2$ ,

then  $x = d_2/2 - s$

(value  $x$  for this case see table)

or

$y$  smaller than  $l_2 - d_2/2$ ,

then  $x = d_2/2 - s - [(l_2 - d_2/2 - y) * 0,123]$

**Characteristic**

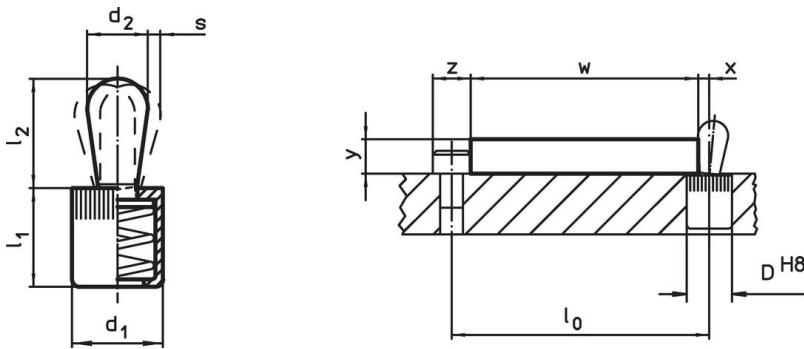
Version light spring load = spring from stainless steel

**More information**

**Further products**

- Eccentric Mounting Bushings, for lateral plungers, smooth - INCH

**Drawing**





**Order information**

Dimensions		Spring load F max. <sup>1)</sup> ~ [lb]	Dimensions		Stroke s [in]	Location hole D H8 [in]	$x^{2)}$ [in]	max. [°F]	[oz]	Art. No.
d <sub>1</sub> [in]	d <sub>2</sub> [in]		l <sub>1</sub> [in]	l <sub>2</sub> [in]						
5/8	0.393	22.5	0.669	0.657	0.063	5/8	0.126	176	0.25	2B150.0080

<sup>1)</sup> statistical average value

<sup>2)</sup> If the workpiece height ( $y$ ) is less than  $l_2 - d_2/2$ , the coordinate dimension ( $x$ ) must be calculated.

## Accessories

	Dimensions d <sub>1</sub> [in]	 [oz]	Art. No.
<b>assembly tool</b>			
	5/8	3.749	22150.0833

## Application example



## Compliance

### RoHS compliant

Compliant according to Directive 2011/65/EU and Directive 2015/863.

### Does not contain SVHC substances

No SVHC substances with more than 0.1% w/w contained - SVHC list [REACH] as of 27.06.2024.

### Does not contain Proposition 65 substances

No Proposition 65 substances included.

<https://www.P65Warnings.ca.gov/>

### Free from Conflict Minerals

This product does not contain any substances designated as "conflict minerals" such as tantalum, tin, gold or tungsten from the Democratic Republic of Congo or adjacent countries.