

Spring Plungers · with pin and internal hexagon - INCH

2B030.0180



Product Description

To be used for positioning, indexing, locking, latching as well as for other similar pressure applications.
Spring plungers can be used for locating or for applying pressure, as a detent or for ejection.

Material

Pin

- Stainless Steel 1.4305 (ASTM-A-582), nitrided

Body

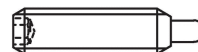
- Stainless steel 1.4305 (ASTM-A-582)

Spring

- Stainless steel

Characteristic

Heavy spring load: marked with two lines



Standard spring load



Heavy spring load

More information

Notes

Special types on request.
Spring plungers are specially tested for spring range and forces.

- This product is manufactured in INCH dimensions.

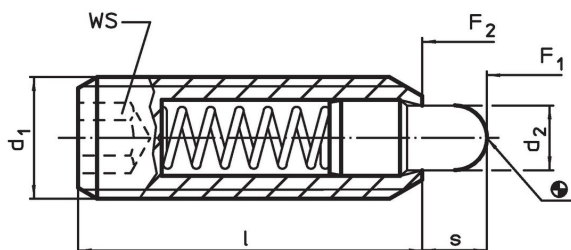
References

A conversion table can be found in the technical data following these product information pages.
Thread lock: polyamide spot coating (for details please refer to the technical appendix).

Further products

- Spring Plungers, with pin and internal hexagon

Drawing

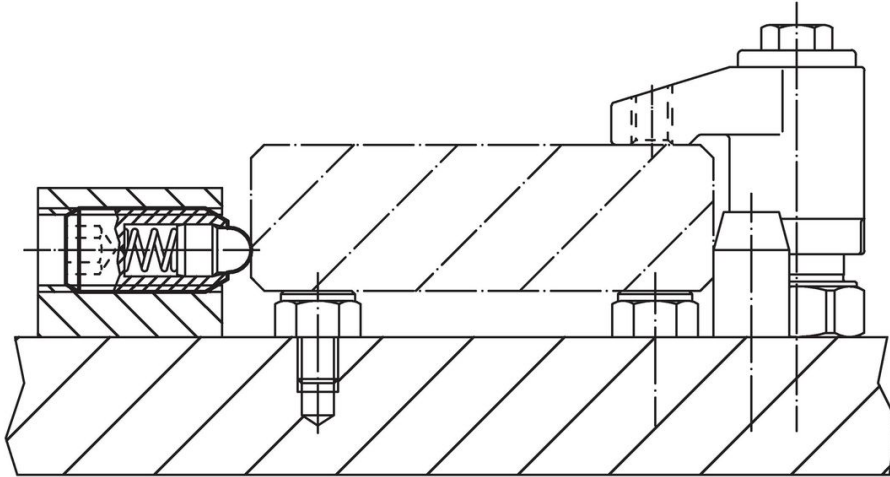


Order information

Dimensions				WS	Stroke s	Spring load ¹⁾		Temperature		Art. No.			
d ₁	Thread	d ₂	l			F ₁	F ₂	min.	max.				
[in]		[in]		[in]	[in]	[lb]	[°F]	[oz]					
stainless steel, heavy spring load, Without thread lock													
1/2-13	1/2	0.5	2A-UNC	0.248	1 1/4	1/4	0.25	6.6	16	-22	482	0.653	2B030.0180

¹⁾ statistical average value

Application example



Compliance

RoHS compliant

Compliant according to Directive 2011/65/EU and Directive 2015/863.

Does not contain SVHC substances

No SVHC substances with more than 0.1% w/w contained - SVHC list [REACH] as of 27.06.2024.

Does not contain Proposition 65 substances

No Proposition 65 substances included.

<https://www.P65Warnings.ca.gov/>

Free from Conflict Minerals

This product does not contain any substances designated as "conflict minerals" such as tantalum, tin, gold or tungsten from the Democratic Republic of Congo or adjacent countries.